

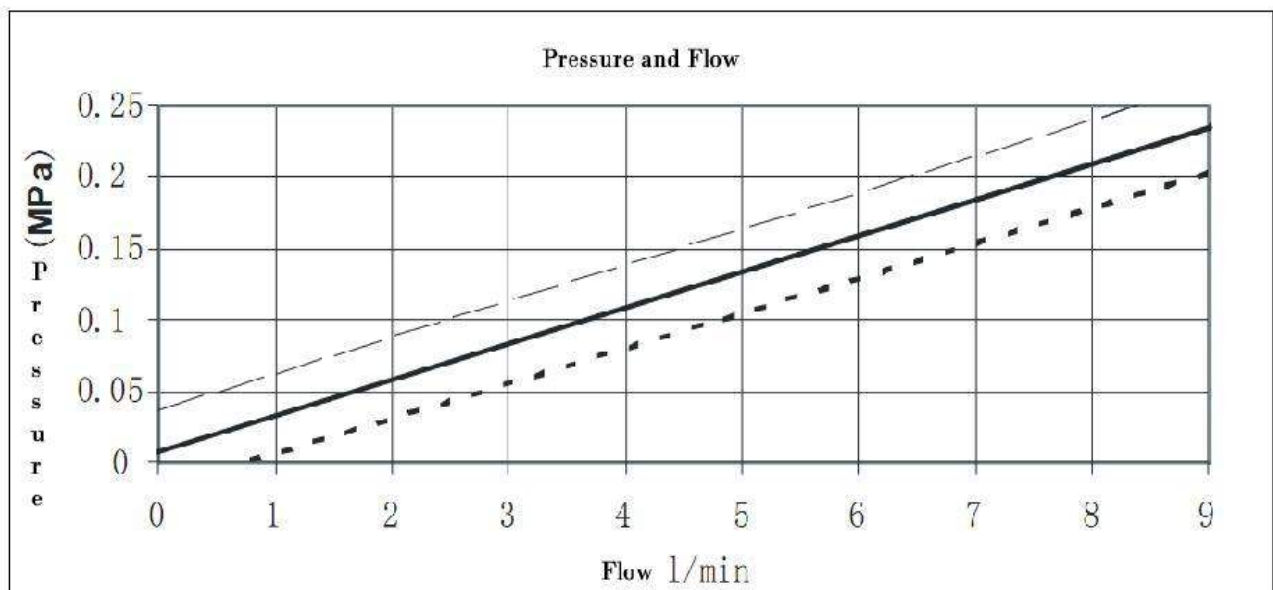


3.6V Micro hydro generator

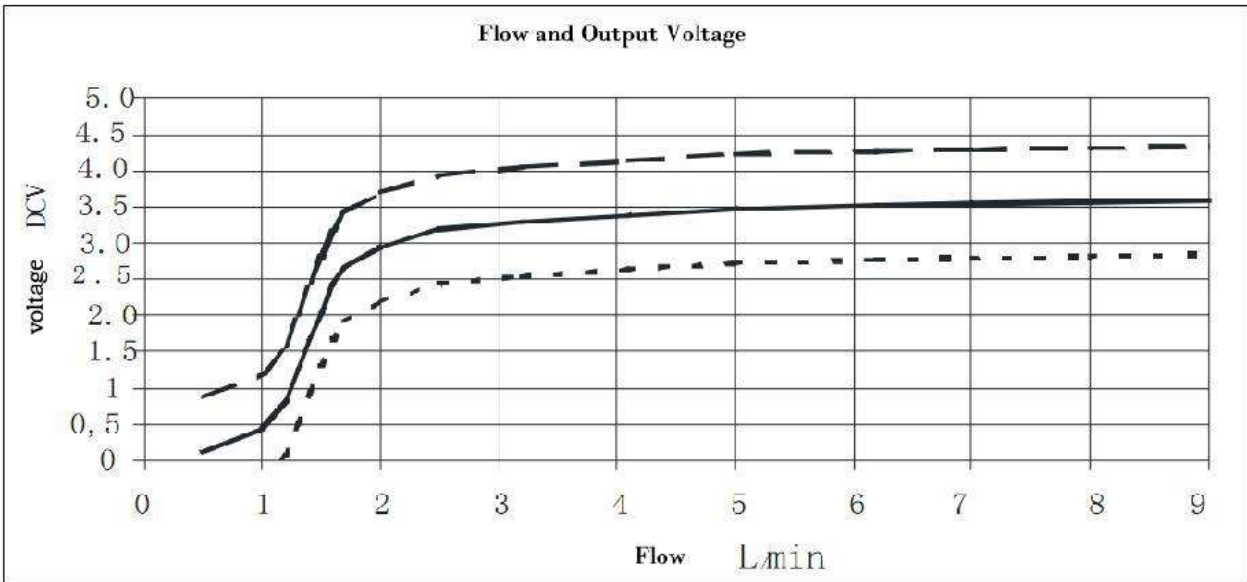
SKU 108100004

Micro hydro power is clean, renewable energy. Here is a G ½ micro hydro generator which can supply stably output voltage and output current with the help of one voltage stabilizing circuit and one rechargeable battery. We can install it at home to save household energy, like using spray shower to light LEDs etc.

Pressure and Flow diagram



Flow and Output voltage Diagram



Note

This module has added one voltage stabilizing circuit and one rechargeable battery, output voltage is stably 3.6v and output current is stably 300mA.

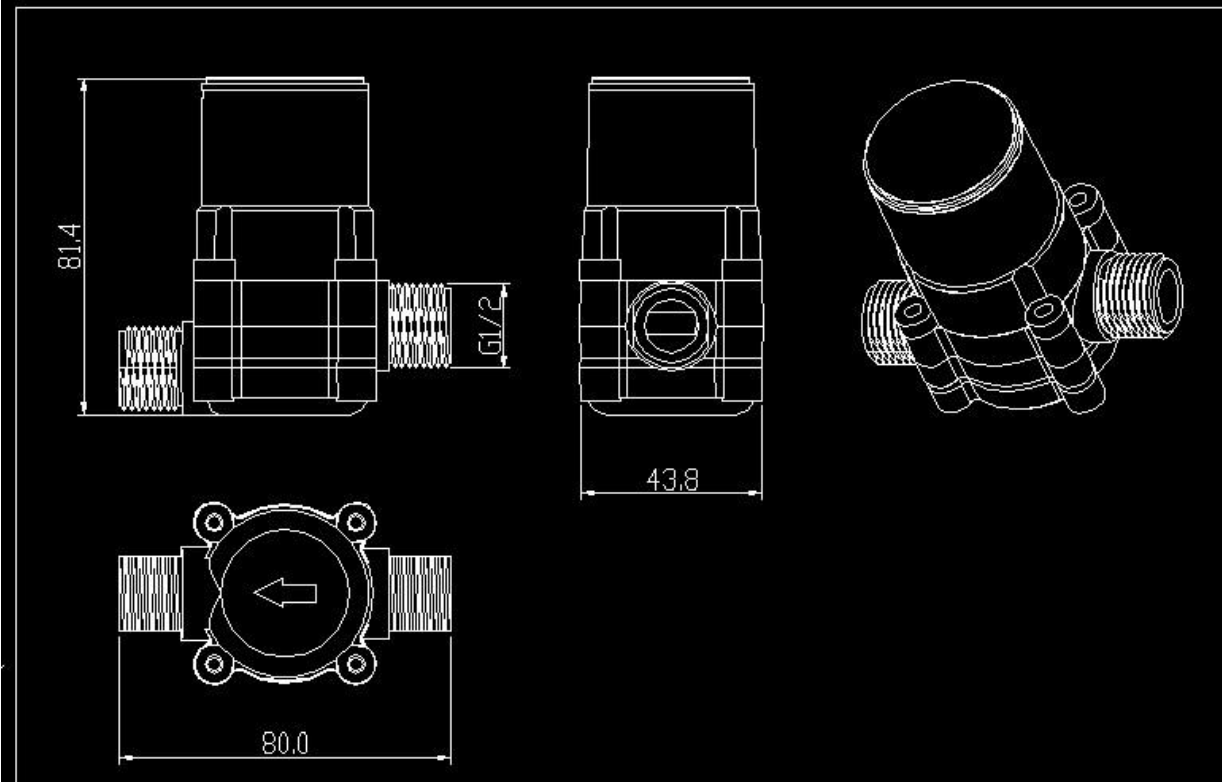
Flow and Output voltage Diagram

Specification

Weight	165 g
Output voltage	3.6V
Battery Capacity	300mA
Maximum working pressure	1.75 MPa
Working pressure	0~1.75MPa

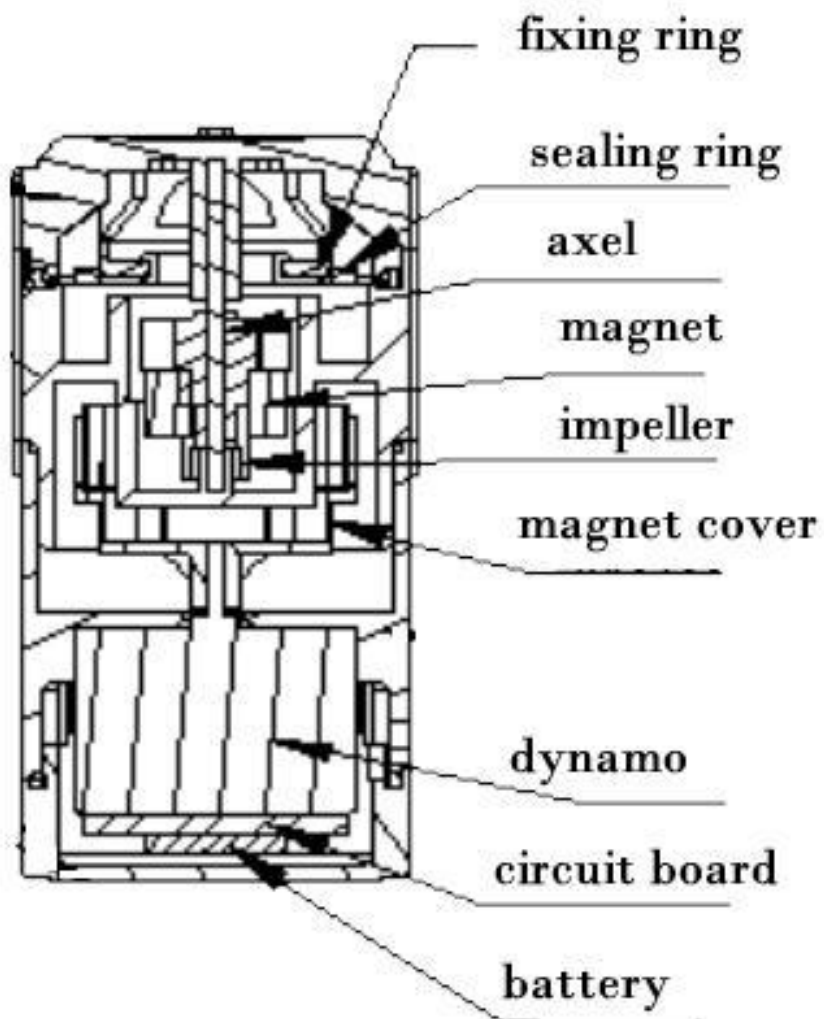
Working temperature	0~110°C
Maximum	30mins at 110 °C
Recommend flow rate range	1.5~20 l/min(Pressure 0.05-0.2mpa)
Installation Method	direction of arrow
Material	nylon/glass fiber,Polyformaldehyde
Size of the input and output openings	0.8inch

Mechanic Dimensions



Usage

Hardware Installation



Tech Support

Please submit any technical issue into our [forum](#) or drop mail to techsupport@seeed.cc.