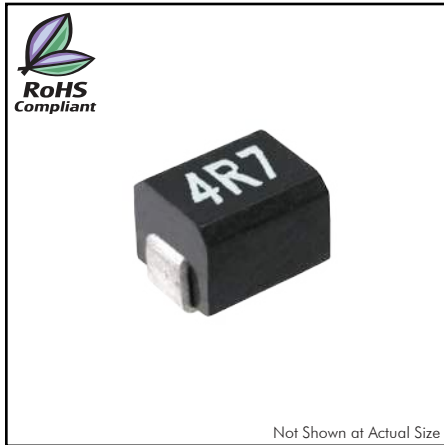


CTHC1210SF Series

From 1.0 μ H to 100 μ H



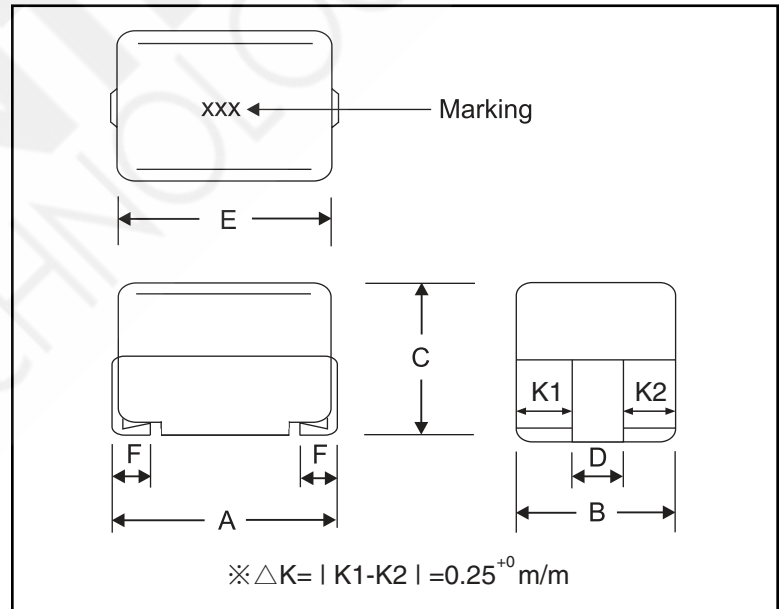
SPECIFICATIONS

Please specify tolerance code when ordering.
CTHC1210SF-1R0_ ← J = $\pm 5\%$, K = $\pm 10\%$, M = $\pm 20\%$

Part Number	Inductance (μ H)	L/Q Test Freq. (MHz)	Q Fact. Min.	SRF Typ. (MHz)	DCR Max. (Ω)	Rated DC Max. (mA)
CTHC1210SF-1R0_	1.0	7.96	10	145	0.156	770
CTHC1210SF-1R5_	1.5	7.96	10	100	0.195	580
CTHC1210SF-2R2_	2.2	7.96	10	80	0.260	480
CTHC1210SF-3R3_	3.3	7.96	10	60	0.325	400
CTHC1210SF-4R7_	4.7	7.96	10	50	0.520	320
CTHC1210SF-6R8_	6.8	7.96	10	40	0.650	280
CTHC1210SF-100_	10	2.52	15	30	1.105	220
CTHC1210SF-150_	15	2.52	15	27	1.690	180
CTHC1210SF-220_	22	2.52	15	22	2.600	145
CTHC1210SF-270_	27	2.52	15	19	3.000	125
CTHC1210SF-330_	33	2.52	15	17	3.640	115
CTHC1210SF-470_	47	2.52	20	15	5.460	105
CTHC1210SF-680_	68	2.52	20	11	8.450	85
CTHC1210SF-820_	82	2.52	20	10	8.710	80
CTHC1210SF-101_	100	0.796	20	9	10.140	75

PHYSICAL DIMENSIONS

Size	A	B	C	D	E	F
mm	3.2 \pm 0.4	2.50 \pm 0.2	2.20 \pm 0.2	1.00 \pm 0.2	2.90 \pm 0.2	0.60 $^{+0.3}_{-0.0}$
inches	0.13 \pm 0.016	0.10 \pm 0.008	0.09 \pm 0.008	0.04 \pm 0.008	0.11 \pm 0.008	0.02 $^{+0.01}_{-0.0}$



CHARACTERISTICS

- Description:** Ferrite core, wire-wound chip inductor
- Applications:** TV's, mobile phones, disk drives, computer peripherals, telecommunication devices, and electronic control boards for automobiles
- Inductance Tolerance:** $\pm 5\%$, $\pm 10\%$, $\pm 20\%$
- Moisture Sensitivity Level (MSL):** 1
- Operating Temperature:** -40°C to 125°C (Temp. rise included)
- Storage Temperature:** -40°C to 125°C
- Terminal Pull Strength:** 1.5kg min.
- Rated Current:** Current cause inductance drop within 10%
- Resistance to Solder Heat:** 260°C .10 secs.
- Resistance to Solvent:** Per MIL-STD-202F
- Packaging:** Tape & Reel
- Part Marking:** Inductance code or inductance code plus tolerance
- Miscellaneous:** RoHS compliant
- Samples available. See website for ordering information.**

PAD LAYOUT

