

# WG48- X - XX - X - X - X - X - X

SWITCH FUNCTION CODE	SWITCH FUNCTION DESCRIPTION
1	MOMENTARY SOLDER TERMINAL
2	MAINTAINED SOLDER TERMINAL
A	MOMENTARY WIRELEADS
B	MAINTAINED WIRELEADS

BEZEL CODE	BEZEL DESCRIPTION
RB	ROUND, BLACK
SB	SQUARE, BLACK (ONLY FOR BUSHING MOUNTING)

ILLUMINATION CODE	LED COLOR DESCRIPTION
N	NONE
R	RED
A	AMBER
Y	YELLOW
G	GREEN
B	BLUE
W	WHITE
RG	RED/BLUE
RB	RED/GREEN

BUTTON CODE (SEE NOTE 3)	BUTTON COLOR DESCRIPTION
(H)BK	BLACK
(H)RD	RED
(H)GR	GREEN
(H)BL	BLUE
(H)YL	YELLOW
(H)OR	ORANGE
(H)WH	WHITE
PK	POWER/STANDBY BLACK (ONLY FOR ROUND BEZEL & BUSHING MOUNT)

MOUNTING CODE	MOUNTING STYLE DESCRIPTION
B	BUSHING
F	SNAP FIT (ONLY FOR ROUND BEZEL)

LED VOLTAGE CODE	LED VOLTAGE DESCRIPTION	
	IF BLANK	SEE LED SPEC.
NON-WIRELEADS	05	5V (SEE NOTE 4)
	IF BLANK	SEE LED SPEC.
WIRELEADS	05	5V (SEE NOTE 4)
	12	12V
	24	24V

SLEEVE CODE	SLEEVE LENGTH
IF BLANK	STANDARD
D	SHORT

### MECHANICAL CHARACTERISTICS:

SWITCH CIRCUITRY: SPST-NO-DB  
 SWITCH ACTION: MOMENTARY AND MAINTAINED (PER CHART)  
 BUTTON TRAVEL: 2.3mm NOMINAL  
 OPERATING FORCE: 3N [306g] NOMINAL  
 PANEL THICKNESS:  
 BUSHING MOUNT: 0.5 - 3.0mm  
 SNAP FIT MOUNT: : 1.0, 2.0, 3.0mm ± 0.05mm  
 CONTACTS: SILVER  
 NUT TORQUE FORCE: MAX 6 kgf-cm [5.2 LB-in ]  
**ENVIRONMENTAL SPECIFICATIONS:**  
 ACTUATOR INGRESS PROTECTION: IP67

### LIFE (MECHANICAL):

MOMENTARY: 1,000K CYCLES  
 MAINTAINED: 50K CYCLES  
**OPERATING TEMPERATURE:**  
 MOMENTARY: -40 °C to +85 °C  
 MAINTAINED: -40 °C to +65 °C

### ELECTRICAL SPECIFICATIONS:

CURRENT RATINGS:  
 2A@24VDC  
 MOMENTARY: 40K CYCLES NOMINAL  
 MAINTAINED: 20K CYCLES NOMINAL  
 DIELECTRIC STRENGTH: 1,000VAC  
 INSULATION RESISTANCE: 1G OHM  
 CONTACT RESISTANCE:  
 50m OHMS MAX INITIAL (NON-WIRELEADS)  
 250m OHMS MAX INITIAL (WIRELEADS)  
 CABLE: UL1007, AWG26

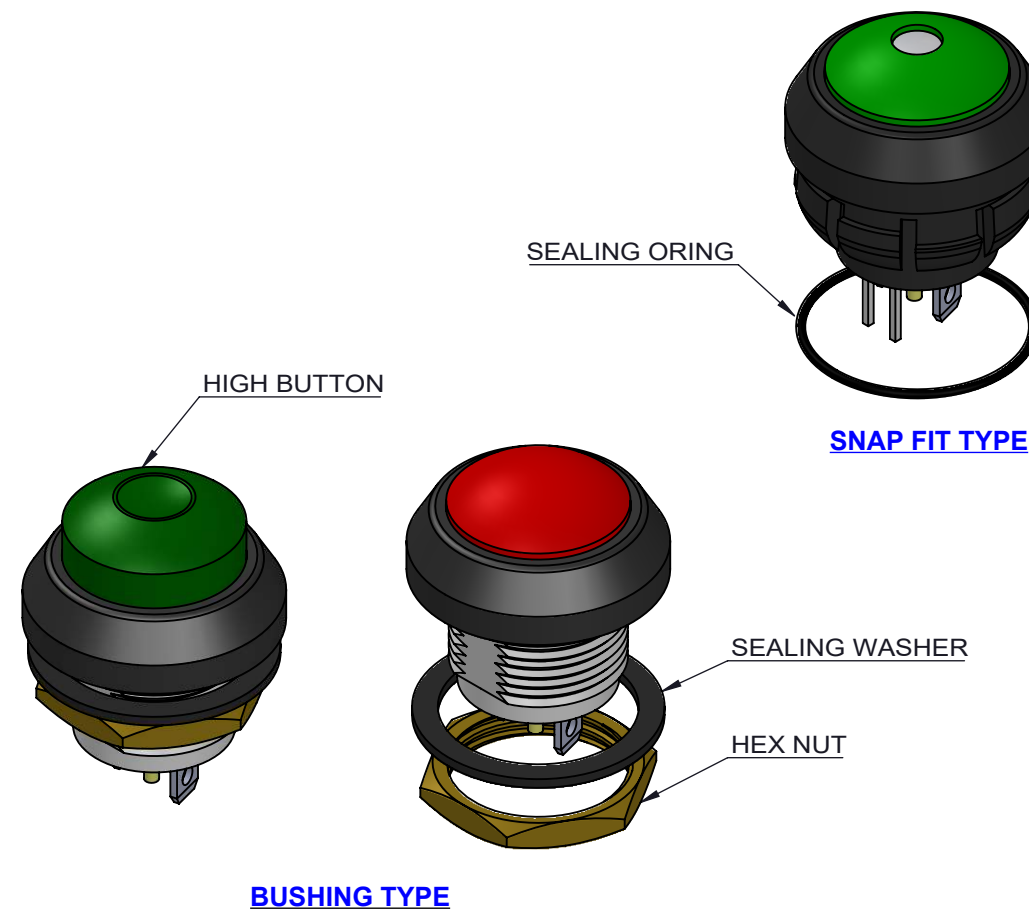
### NOTE

- CURRENT LIMITING RESISTOR IS REQUIRED TO LIMIT LED FORWARD CURRENT TO 20mA
- SUPPLY HEX NUT AND SEALING WASHER BULK PACKED.
- HIGH-BUTTON OPTION, DENOTED (H), ONLY AVAILABLE FOR ROUND BEZEL AND NON-ILL. TYPE. OMIT (H) FOR STANDARD BUTTON.
- INNER RESISTOR ONLY FOR LED : RED / BLUE / GREEN / WHITE.

LED SPECIFICATION					
LED CODE	LED SINGLE COLOR	Vf(VDC)	If (mA)	CIRCUITRY	
		TYP.			
R	RED	2.0	20		
A	AMBER	2.0	20		
Y	YELLOW	2.0	20		
G	GREEN	3.0	20		
B	BLUE	3.1	20		
W	WHITE	3.3	20		
LED CODE	BICOLOR LED		Vf(VDC)	If (mA)	CIRCUITRY
	COLOR1	COLOR2	TYP.		
RB	RED	BLUE	2.0(RED) 3.3(BLUE)	20	
RG	RED	GREEN	2.0(RED) 3.4(GREEN)	20	

Notes:  
 1.) Hand Soldering Temperature (4mm above from Body) : 320°C for 3 seconds

WIRELEADS SPECIFICATION					
WIRELEADS TYPE	WIRELEADS SPECIFICATION	SW TERMINAL		LED	
		/	O	+	-
ILLUMINATION	AWG26 / UL1007	BLUE	BLUE	RED	BLACK
NON-ILLUMINATION		BLUE	BLUE	--	--



DWG TYPE SALES DRAWING	DRAWN <i>K.Y.</i>	TOLERANCES: UNLESS OTHERWISE NOTED X.X ± 0.5 X.XX ± 0.25 ANGULAR ± 5°	DWG TITLE WG48-MECHANICAL MOMENTARY/MAINTAINED, SOLD. TERMINAL, WIRELEADS, NONE/CENTER SPOT/POWER- STANDBY ILLUMINATION
STATUS RELEASE	REVIEW		DWG NO. WG48-1,2,A,B
This document is the intellectual property of ITW Electronic Business Asia Co., Limited and may contain confidential, proprietary, privileged information protected by law. Neither this document nor any information it contains can be reproduced, transformed to any other format, or distributed, without written permission by ITW Electronic Business Asia Co., Limited. 本文件為安達維亞電器有限公司之智慧財產，非經許可不得翻取、複製、轉變成其他形式使用或散佈		THIRD ANGLE PROJECTION 	REF: ---
DATE 2010/3/11	APPROVED <i>V.W.</i>	REF: ---	<input checked="" type="checkbox"/> 管制文件 <input type="checkbox"/> 非管制文件

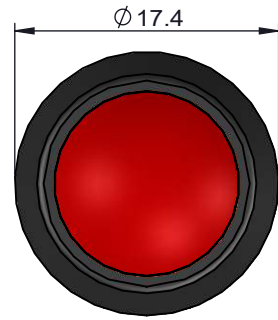
Unit mm	SCALE 3:2	REV 5	RoHS Compliant
------------	--------------	----------	----------------

SHEET 1 OF 4

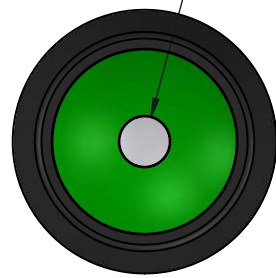
# BUSHING MOUNT

## ROUND BEZEL

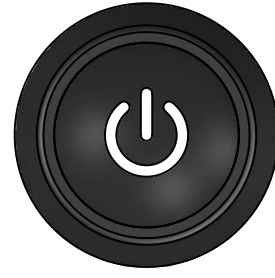
## SQUARE BEZEL



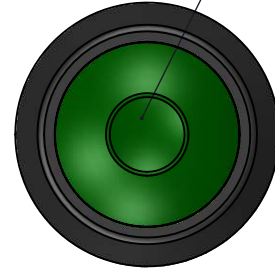
NON-ILL. TYPE



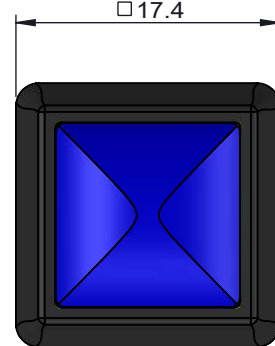
ILL. TYPE



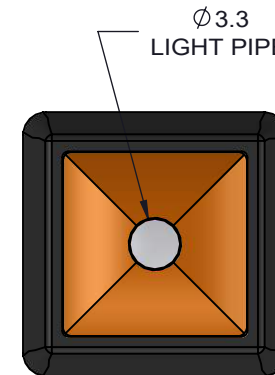
POWER/STANBY (ILLUMINATION)



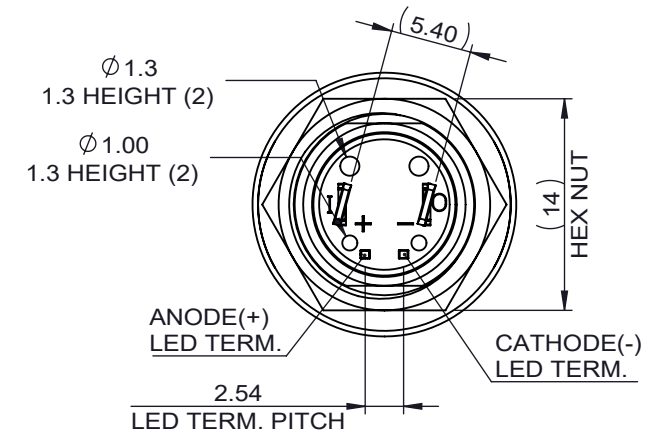
NON-ILL. HIGH BUTTON



NON-ILL. TYPE



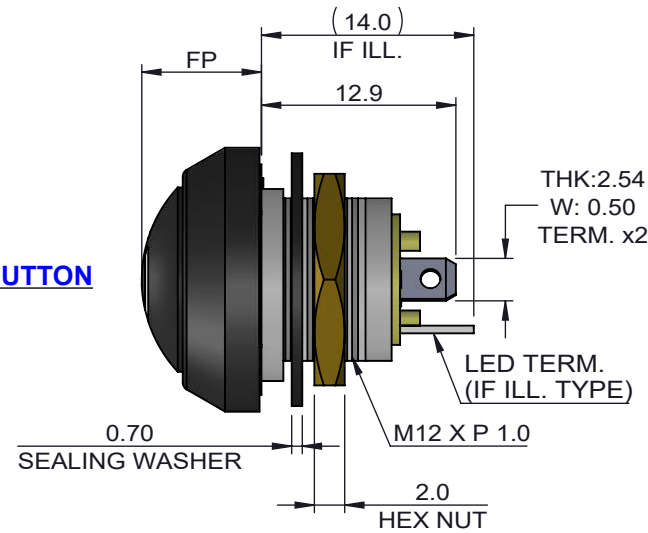
ILL. TYPE



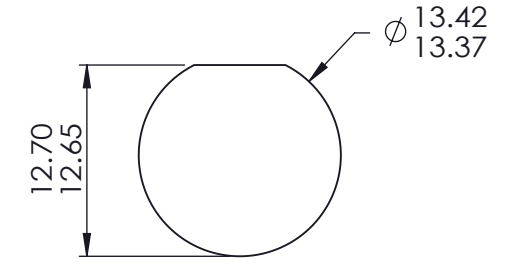
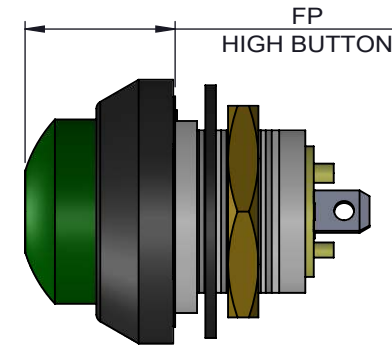
DETAIL OF TERMINAL POSITION

SWITCH ACTION	BUTTON TYPE	FP(mm)
MOMENTARY	NON-ILLUMINATION	8.0±0.5
	ILLUMINATION LIGHT PIPE BUTTON	7.6±0.5
	NON-ILLUMINATION HIGH BUTTON	9.9±0.5
MAINTAINED	NON-ILLUMINATION	6.5±0.5
	ILLUMINATION LIGHT PIPE BUTTON	6.0±0.5
	NON-ILLUMINATION HIGH BUTTON	8.4±0.5

STANDARD BUTTON



HIGH BUTTON

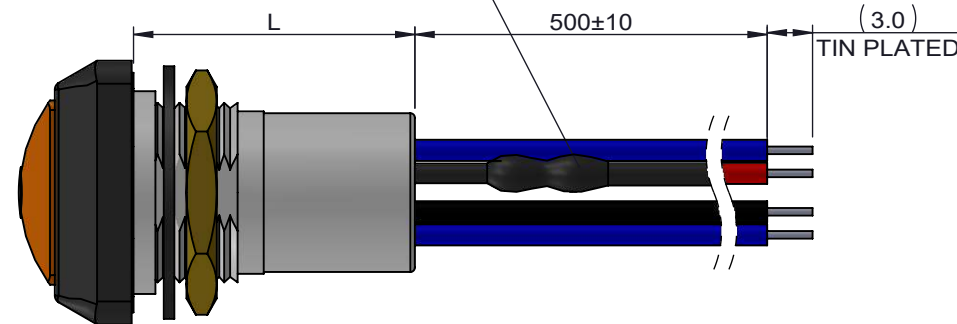
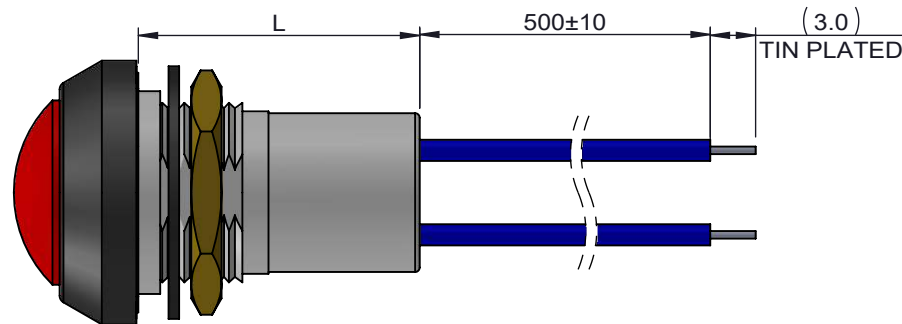


REFERENCE PANEL CUT-OUT  
PANEL THICKNESS: 0.5-3mm

CURRENT LIMIT RESISTOR ONLY FOR:  
1. 5 VDC REQUIRES ONE EXTERNAL RESISTOR:  
A/Y/RB/RG LED SUPPLY  
2. 12 VDC, 24 VDC LED SUPPLY

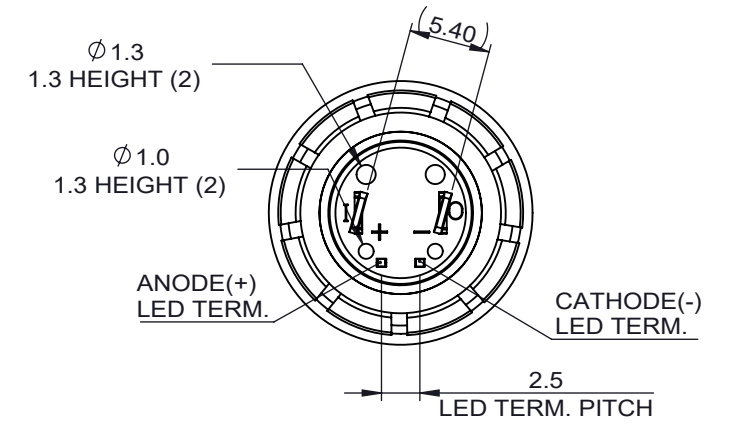
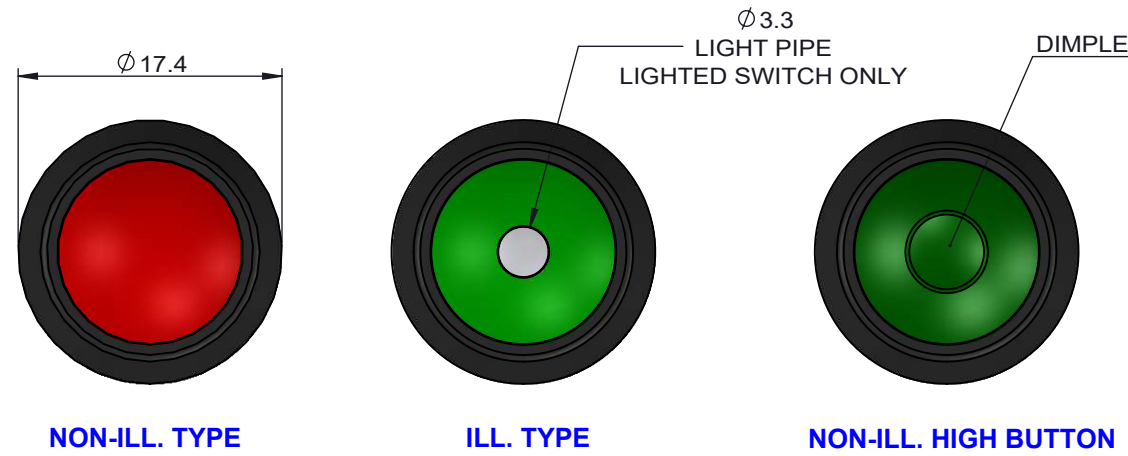
## WIRELEADS

SLEEVE CODE	L(mm)
IF BLANCK (STANDARD)	18.6
D (SHORT)	15.2



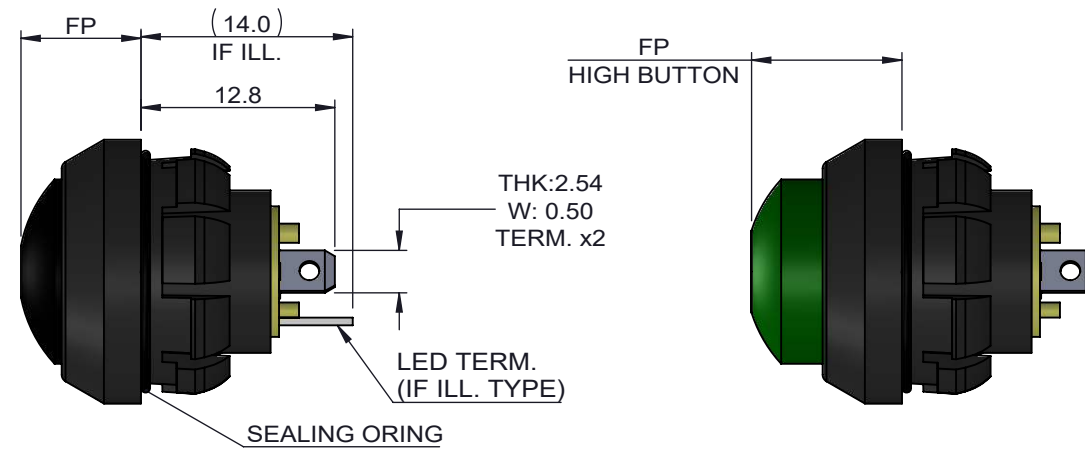
DWG TYPE SALES DRAWING	DRAWN <i>K.Y.</i>	TOLERANCES: UNLESS OTHERWISE NOTED X.X ± 0.5 X.XX ± 0.25 ANGULAR ± 5°	DWG TITLE WG48-MECHANICAL MOMENTARY/MAINTAINED, SOLD TERMINAL, WIRELEADS, NONE/CENTER SPOT/POWER-STANDBY ILLUMINATION							
STATUS RELEASE	REVIEW	THIRD ANGLE PROJECTION 	DWG NO. WG48-1,2,A,B							
<small>This document is the intellectual property of ITW Electronic Business Asia Co., Limited and may contain confidential, proprietary, privileged information protected by law. Neither this document nor any information it contains can be reproduced, transformed to any other format, or distributed, without written permission by ITW Electronic Business Asia Co., Limited. 本文作為安達維百電股份有限公司之智慧財產，非經許可不得翻取、複製、轉變成其他形式使用或散佈。</small>			DATE 2010/3/11	REF: ---	<input checked="" type="checkbox"/> 管制文件 <input type="checkbox"/> 非管制文件	Unit mm	SCALE 3:2	REV 5	RoHS Compliant	SHEET 2 OF 4

# SNAP FIT MOUNT



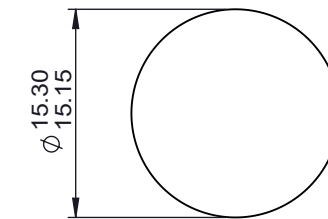
**DETAIL OF TERMINAL POSITION**

SWITCH ACTION	BUTTON TYPE	FP(mm)
MOMENTARY	NON-ILLUMINATION	8.0±0.5
	ILLUMINATION LIGHT PIPE BUTTON	7.6±0.5
	NON-ILLUMINATION HIGH BUTTON	9.9±0.5
MAINTAINED	NON-ILLUMINATION	6.5±0.5
	ILLUMINATION LIGHT PIPE BUTTON	6.0±0.5
	NON-ILLUMINATION HIGH BUTTON	8.4±0.5



**STANDARD BUTTON**

**HIGH BUTTON**

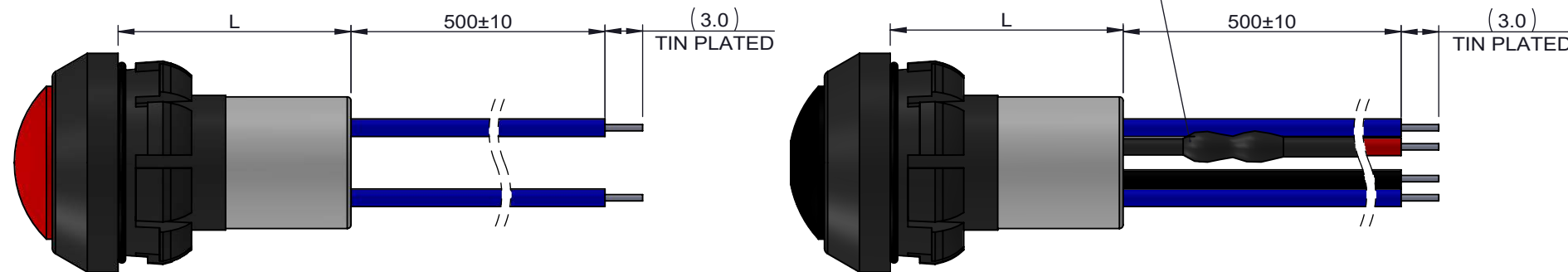


**RECOMMENDED PANEL CUT-OUT**

**PANEL THICKNESS: 1.0mm, 2.0mm, 3.0mm±00.5**

## WIRELEADS

SLEEVE CODE	L(mm)
IF BLANCK (STANDARD)	18.6
D (SHORT)	15.2



CURRENT LIMIT RESISTOR ONLY FOR:  
 1. 5 VDC REQUIRES ONE EXTERNAL RESISTOR:  
 A/Y/RB/RG LED SUPPLY  
 2. 12 VDC, 24 VDC LED SUPPLY

DWG TYPE SALES DRAWING	DRAWN <i>K.Y.</i>	TOLERANCES: UNLESS OTHERWISE NOTED X.X ± 0.5 X.XX ± 0.25 ANGULAR ± 5°	DWG TITLE WG48-MECHANICAL MOMENTARY/MAINTAINED, SOLD. TERMINAL, WIRELEADS, NONE/CENTER SPOT/POWER-STANDBY ILLUMINATION							
STATUS RELEASE	REVIEW	THIRD ANGLE PROJECTION 	DWG NO. WG48-1,2,A,B							
<small>This document is the intellectual property of ITW Electronic Business Asia Co., Limited and may contain confidential, proprietary, privileged information protected by law. Neither this document nor any information it contains can be reproduced, transformed to any other format, or distributed, without written permission by ITW Electronic Business Asia Co., Limited.                  本文作為安泰維百電器股份有限公司之智慧財產，非經許可不得翻取、複製、轉變成其他形式使用或散佈。</small>			DATE 2010/3/11	REF: ---	<input checked="" type="checkbox"/> 管制文件 <input type="checkbox"/> 非管制文件	Unit mm	SCALE 3:2	REV 5	RoHS Compliant	SHEET 3 OF 4