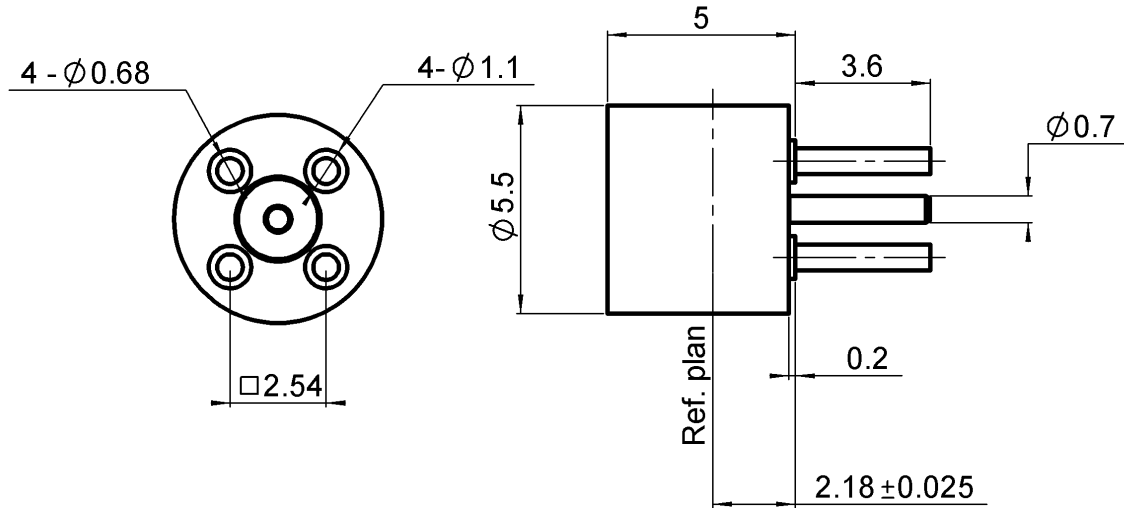
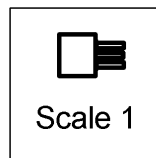
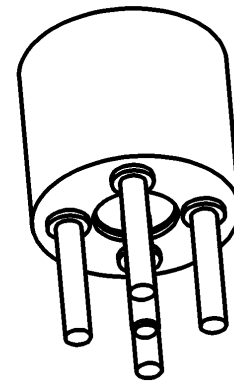
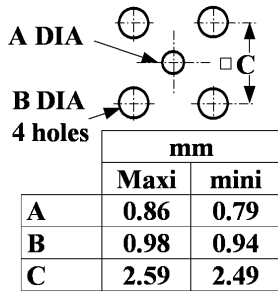


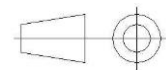
PAGE 1/2	ISSUE 04-01-17B	SERIES SMP	PART NUMBER R222426020
----------	-----------------	------------	------------------------



**PANEL CUT OUT**



All dimensions are in mm.



COMPONENTS	MATERIALS	PLATING ( $\mu\text{m}$ )
Body	<b>STAINLESS STEEL</b>	<b>GOLD 0.5 OVER NICKEL 2</b>
Center contact	<b>BERYLLIUM COPPER</b>	<b>GOLD 1.27 OVER NICKEL 1.27</b>
Outer contact		
Insulator	<b>PTFE</b>	
Gasket		
Others parts		
-	-	-
-	-	-

PAGE 2/2	ISSUE <b>04-01-17B</b>	SERIES <b>SMP</b>	PART NUMBER <b>R222426020</b>
----------	------------------------	-------------------	-------------------------------

**PACKAGING**

Standard	Unit	Other
<b>100</b>	<b>Contact us</b>	<b>Contact us</b>

**ELECTRICAL CHARACTERISTICS**

Impedance		<b>50</b>	Ω
Frequency		<b>0-40*</b>	GHz
VSWR***	<b>1.15**</b> +	<b>0,0000</b>	x F(GHz) Maxi
Insertion loss		<b>0.12*</b>	√F(GHz) dB Maxi
RF leakage	- (	<b>NA</b>	- F(GHz) dB Maxi
Voltage rating		<b>335</b>	Veff Maxi
Dielectric withstanding voltage		<b>500</b>	Veff mini
Insulation resistance		<b>5000</b>	MΩ mini

**ENVIRONMENTAL**

Operating temperature	<b>-65/+165</b>	°C
Hermetic seal	<b>NA</b>	Atm.cm3/s
Panel leakage	<b>NA</b>	

**MECHANICAL CHARACTERISTICS**

Center contact retention			
Axial force – Mating End		<b>6.8</b>	N mini
Axial force – Opposite end		<b>NA</b>	N mini
Torque		<b>NA</b>	N.cm mini
Recommended torque			
Mating		<b>NA</b>	N.cm
Panel nut		<b>NA</b>	N.cm
Mating life		<b>100</b>	Cycles mini
Weight		<b>0,7200</b>	g

**SPECIFICATION**

**OTHER CHARACTERISTICS**

Assembly instruction:

Others:

**\*Coaxial Transmission Line Only**

**\*\*DC-12 Ghz (Coaxial Transmission Line Only)**

**\*\*\*Performance strongly depends on layout and PCB material**