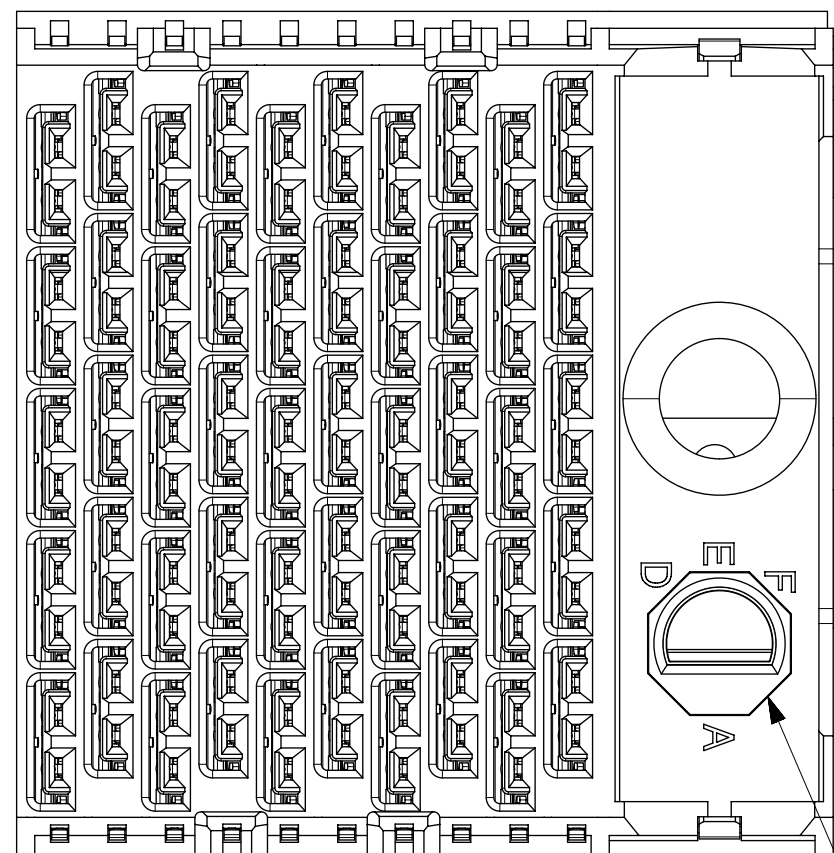
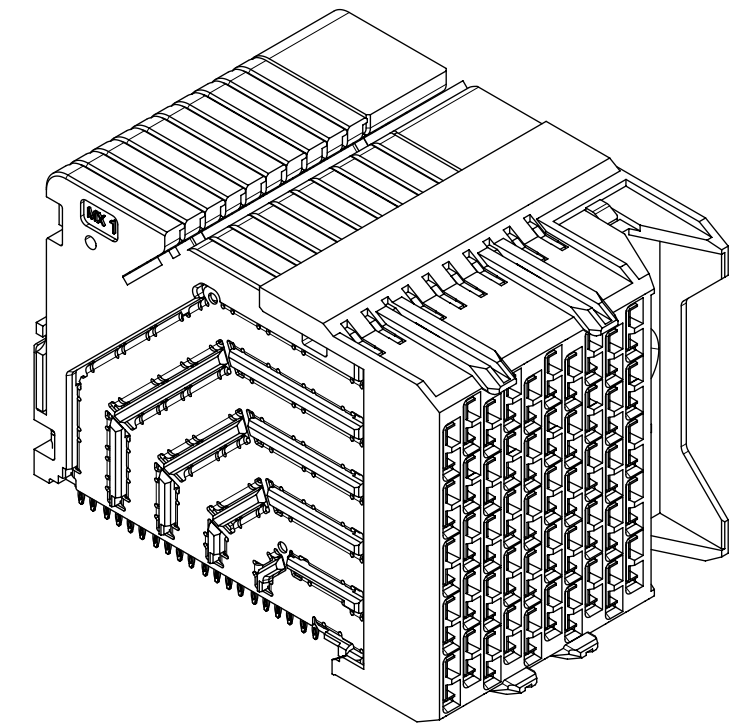
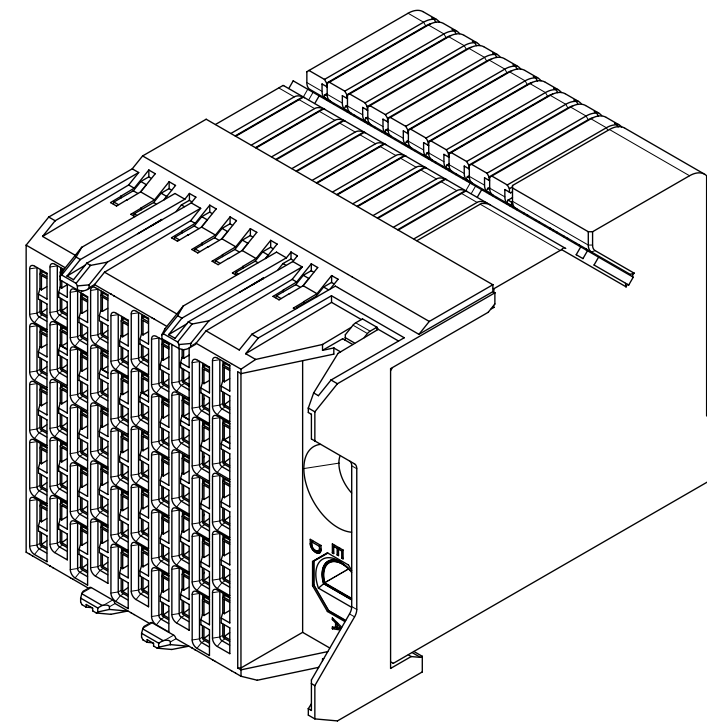


NOTES:

1. MATERIALS: HOUSING - LIQUID CRYSTAL POLYMER (LCP) GLASS-FILLED, UL94V-0
TERMINALS - HIGH PERFORMANCE COPPER ALLOY
2. FINISH: 30uIN GOLD IN CONTACT AREA.
SELECTIVE TIN ON PCB TAILS.
NICKEL OVERALL.
3. REFER TO MOLEX PRODUCT SPECIFICATION PS-171320-999 FOR PERFORMANCE SPECIFICATIONS.
4. THIS PART CONFORMS TO CLASS B REQUIREMENTS OF MOLEX COSMETIC SPEC PS-45499-002.
5. PRODUCT WILL BE PACKAGED PER PK-78888-307.
6. SEE SHEET 2 FOR HOLE PATTERN DIMENSIONS.
7. MATES WITH IMPEL BP SERIES NUMBER 172005.
8. REFER TO IMPEL PCB ROUTING GUIDE AS-171320-990 FOR ANTIPAD, ROUTING RECOMMENDATIONS, AND ADDITIONAL PCB INFORMATION.
9. WHEN STACKING MODULES END TO END, THE MINIMUM COLUMN TO COLUMN HOLE SPACING IS 2.65mm.
10. WHEN USING THE SUPPLIED 2-32 THREAD FORMING SCREW (P/N 73726-0000). THE MAXIMUM RECOMMENDED BOARD THICKNESS IS 4.4mm.



KEY SHOWN IN POSITION "A"



THIS DRAWING CONTAINS INFORMATION THAT IS PROPRIETARY TO MOLEX ELECTRONIC TECHNOLOGIES, LLC AND SHOULD NOT BE USED WITHOUT WRITTEN PERMISSION											
MIGRATED TO NX EC NO: 121633 DRWN: NIMUNIVENKATA CHKD: CYLIAN REV APPR: DWLEED1	2017/08/03		2017/09/07		2017/09/24		GENERAL TOLERANCES (UNLESS SPECIFIED)		DIMENSION UNITS		SCALE
	4 PLACES		±		3 PLACES		±		MM		4:1
	2 PLACES		± 0.13		1 PLACE		± 0.25		DRWN BY		DATE
	0 PLACES		±		JLAURX		2013/07/15		CHKD BY		DATE
	DRAFT WHERE APPLICABLE MUST REMAIN WITHIN DIMENSIONS		C		SHLENI		2015/04/07		APPR BY		DATE
B		REV		APPR		DWLEED1		DRAWING SIZE		THIRD ANGLE PROJECTION	
C		REV		APPR		DWLEED1		SERIES		MATERIAL NUMBER	
C		REV		APPR		DWLEED1		172010		SEE CHART	
C		REV		APPR		DWLEED1		CUSTOMER		GENERAL MARKET	
C		REV		APPR		DWLEED1		DOCUMENT NUMBER		DOC TYPE	
C		REV		APPR		DWLEED1		SD-172010-0004		PSD	
C		REV		APPR		DWLEED1		DOC PART		SHEET NUMBER	
C		REV		APPR		DWLEED1		001		1 OF 2	

molex

IMPEL DAUGHTERCARD ASSY
5 PAIR - 1.9MM PITCH GUIDE RIGHT SALES DWG

PRODUCT CUSTOMER DRAWING

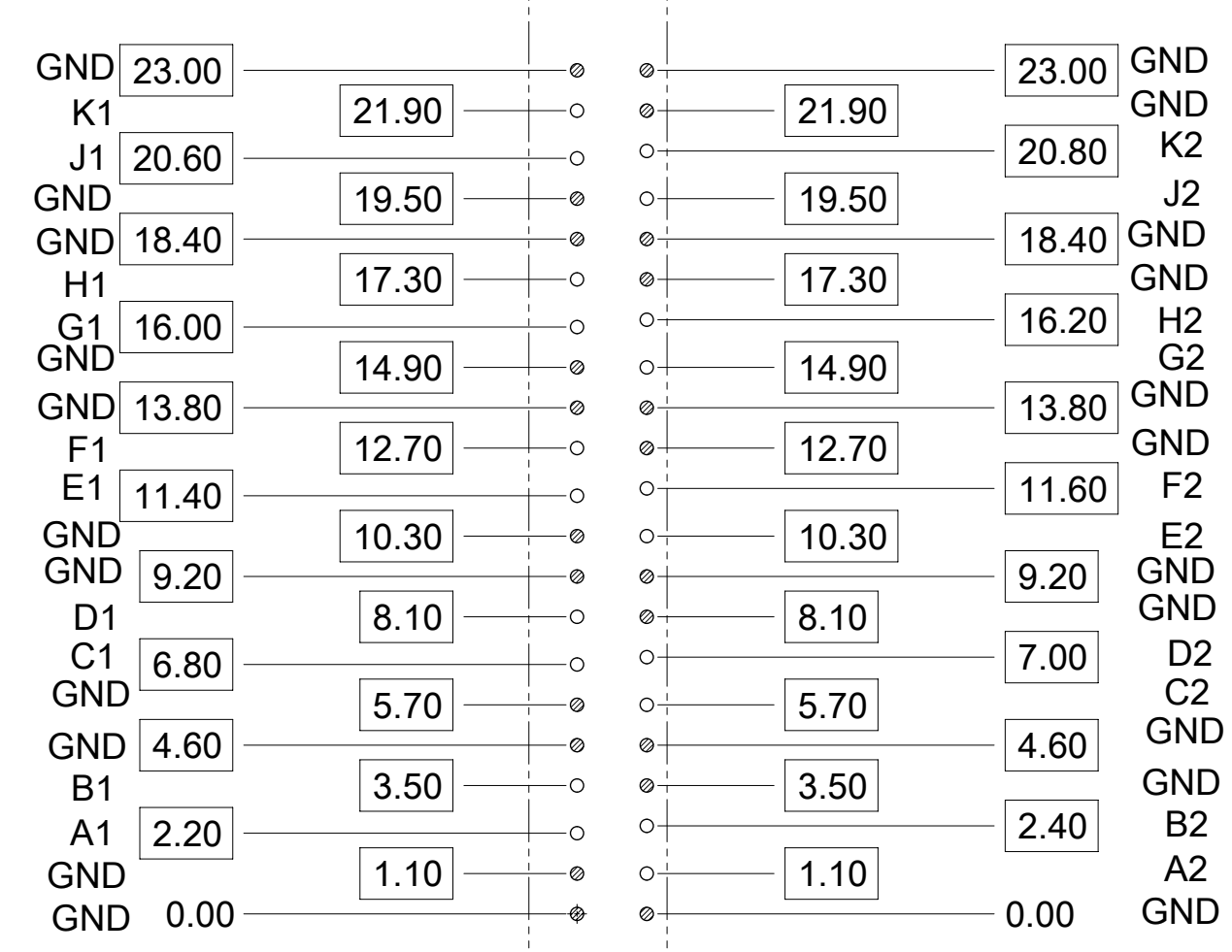
MATERIAL NUMBER	NUMBER OF COLUMNS	NUMBER OF DIFF PAIR	DIM "A"	DIM "B"
172010-5*20	10	50	27.20 MAX.	17.10
172010-5*26	16	80	38.60 MAX.	28.50

172010-5***

MODULE TYPE
3 = GUIDE LEFT

KEY ORIENTATION
0 = NO KEY
1 = A 5 = E
2 = B 6 = F
3 = C 7 = G
4 = D 8 = H

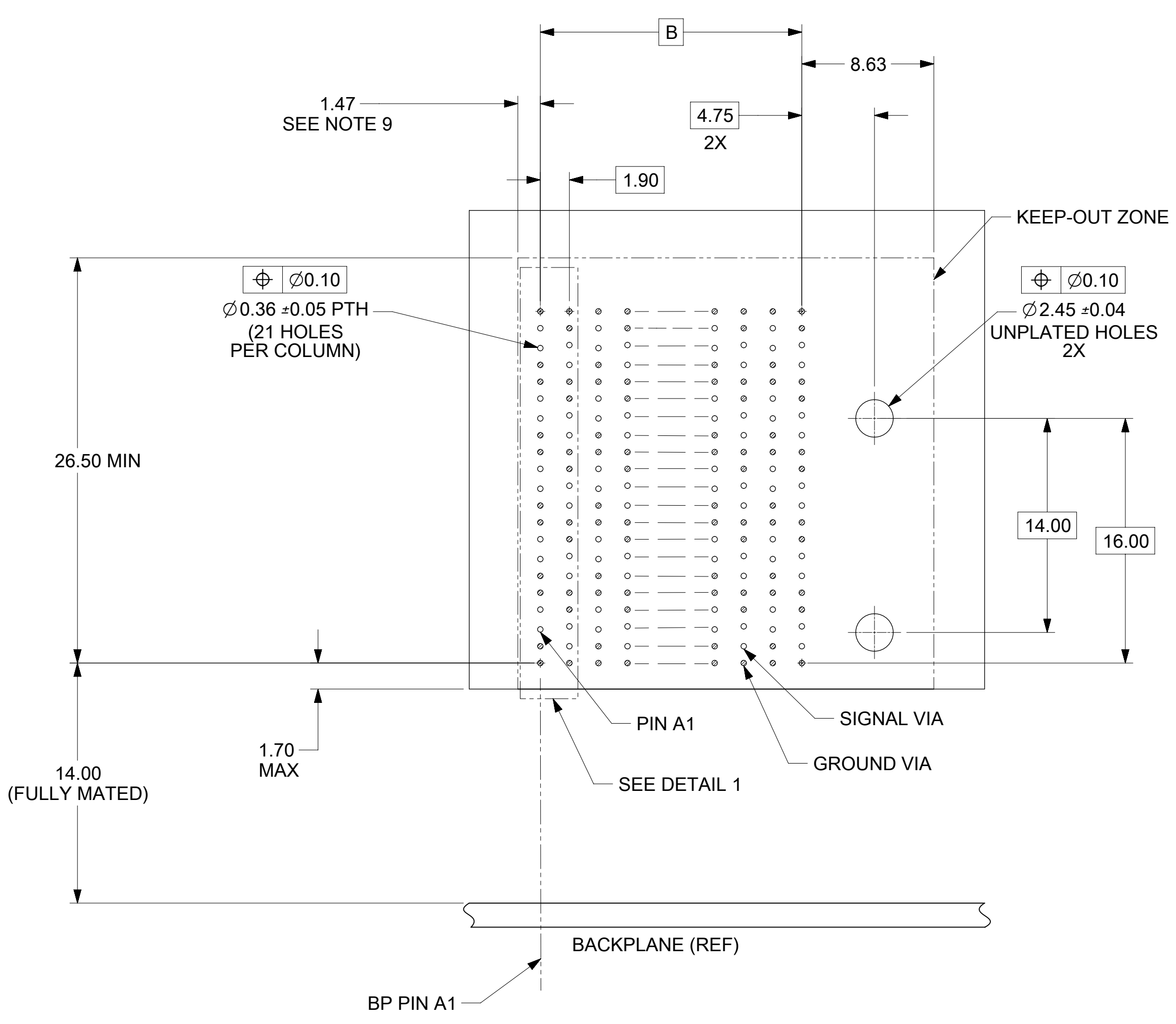
COLUMN SIZE
20 = 10 COLUMN
26 = 16 COLUMN



ODD COLUMN DIMENSIONS

EVEN COLUMN DIMENSIONS

DETAIL 1
SCALE 5:1



DAUGHTERCARD HOLE PATTERN (CONNECTOR SIDE)

THIS DRAWING CONTAINS INFORMATION THAT IS PROPRIETARY TO MOLEX ELECTRONIC TECHNOLOGIES, LLC AND SHOULD NOT BE USED WITHOUT WRITTEN PERMISSION

MIGRATED TO NX EC NO: 121633 DRWN: NIMUNIVENKATA CHKD: CYLIAN REV / APPR: DWLEED1	2017/08/03	2017/09/07	2017/09/24	GENERAL TOLERANCES (UNLESS SPECIFIED)	DIMENSION UNITS	SCALE				
					MM	4:1				
	4 PLACES	±			DRWN BY	DATE		IMPEL DAUGHTERCARD ASSY 5 PAIR - 1.9MM PITCH GUIDE RIGHT SALES DWG		
	3 PLACES	±			JLAURX	2013/07/15				
2 PLACES	± 0.13		CHKD BY	DATE	PRODUCT CUSTOMER DRAWING					
1 PLACE	± 0.25		SHLENI	2015/04/07						
0 PLACES	±		APPR BY	DATE	SERIES	MATERIAL NUMBER	CUSTOMER			
DRAFT WHERE APPLICABLE MUST REMAIN WITHIN DIMENSIONS				DRAWING SIZE	THIRD ANGLE PROJECTION	172010	SEE CHART	GENERAL MARKET		
						DOCUMENT NUMBER		DOC TYPE	DOC PART	SHEET NUMBER
						SD-172010-0004		PSD	001	2 OF 2