

SPECIFICATIONS

Insulation Resistance:	1,000MΩ min. at 100V DC
Withstanding Voltage:	AC 750V min. 60Hz
Voltage Rating:	AC 335V
Current Rating:	1.0A max.
Contact Resistance:	5mΩ max. at 20mV max.
Operating Temp. Range:	-40°C to +105°C
Mating Cycles:	25 insertions

MATERIALS AND FINISH

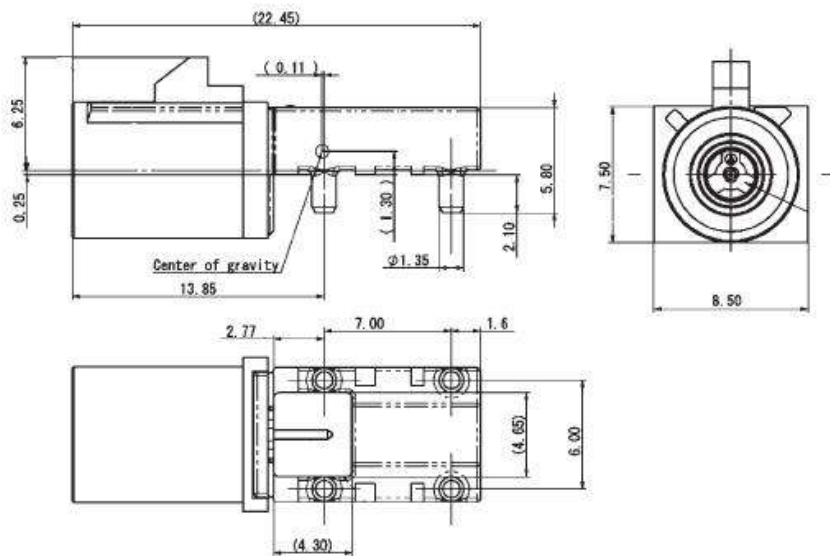
Insulator:	LCP
Housing:	PA
Outer Contact:	(ZDC) Sn over Ni
Centre Contact:	Au over Ni

AUTOMOTIVE COMPLIANT

FEATURES

- Fakra developed and tested for Automotive applications
- Die-cast type
- According to DIN ISO 20860 & USCAR 18 & 18
- Colour and mechanical coding
- Tape and reel packaging
- RoHS2011/65/EU

OUTLINE DIMENSIONS

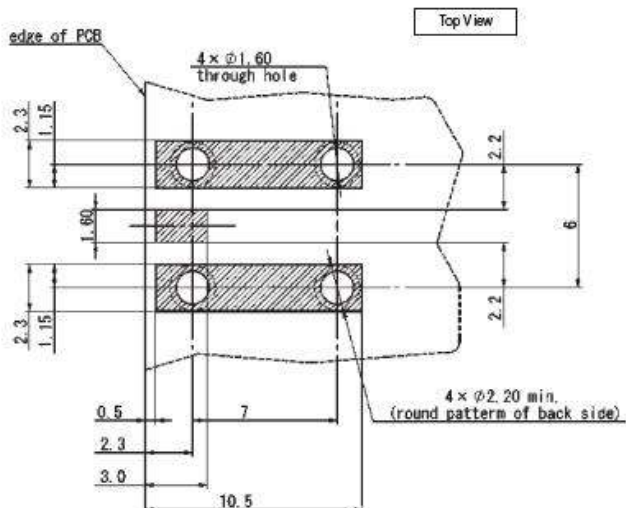


PART NUMBER

HF106P - 0001 - X - VE

Series No.	↑
Pin Contacts: 1 Pin	↑
Colour and Housing Coding (see also table below)	↑
A - Black	
B - White	
C - Blue	
D - Bordeaux	
E - Green	
F - Brown	
G - Grey	
H - Violet	
I - Beige	
K - Curry	
L - Carmine Red	
M - Pastel Orange	
N - Pastel Green	
Z - Water Blue	

RECOMMENDED PCB LAYOUT



	A		F		L
	B		G		M
	C		H		N
	D		I		Z
	E		K		