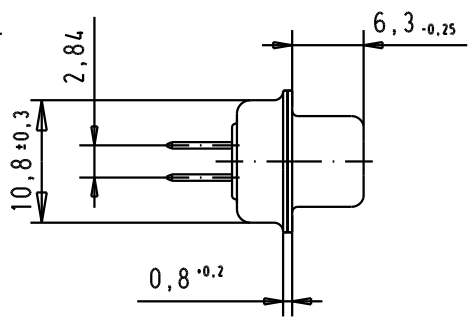
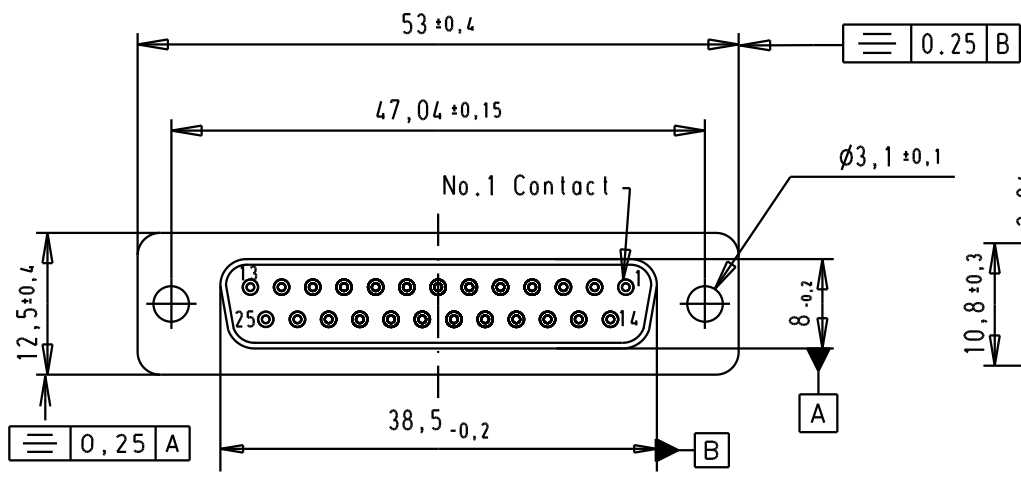


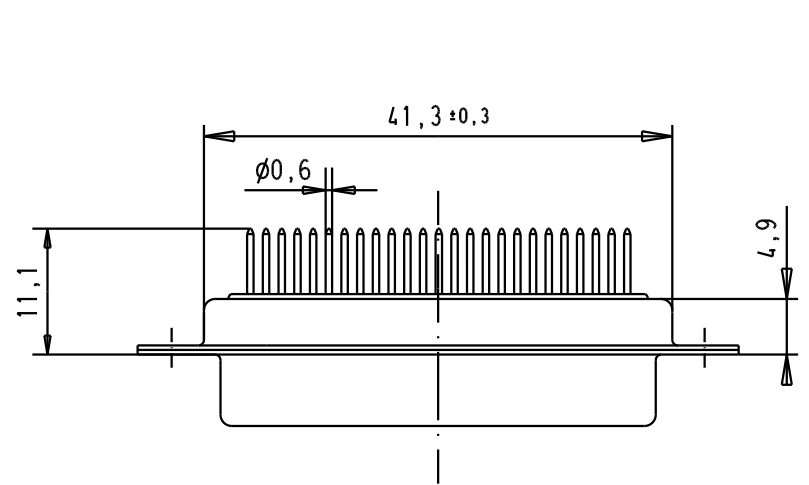
5 4 3 2 1



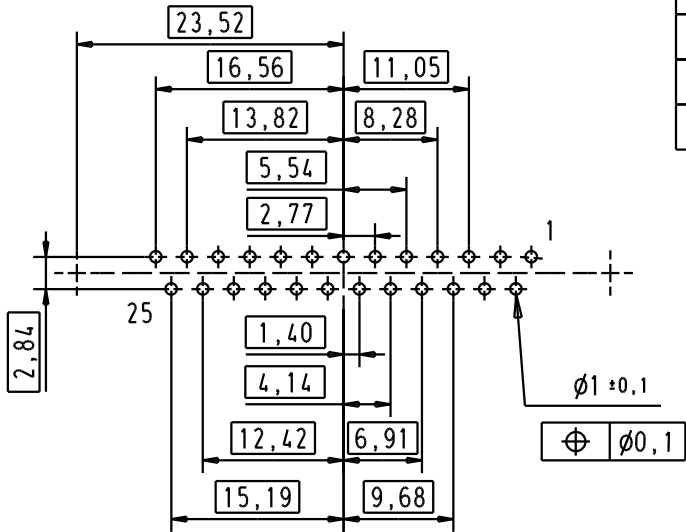
SPECIFICATION

Mating Cycles	500
Filler type	C
Capacitance	470pF ± 20%
Working Voltage	100v
Current Rating	7.5A
Insulation Resistance	>1GΩ



FREQUENCY (MHz)	ATTENUATION (dB)
5	-
10	1dB
50	10dB
100	15dB
500	35dB
1000	32dB



PCB Layout Component side



D  
C  
B  
A

				Dat.	Name	 All Dim. in mm Orig. Size DIN A 4
			Detail.	8-JUL-02	CV	
			Insp.			
			Stand.			
32803	29/09/05	JMDR	HARTING EURL			
31058	8-JUL-02	CV	F-95972 Paris			
Mod.	Dat.	Name				Sub.

D-Sub, female, straight,  
25 Poles, solder pins,  
tin plated shell with  
fixing holes

TB 09643127220

Ma?Ms tab/  
Scale  
1.5:1  
Blatt/ Page  
1 / 1