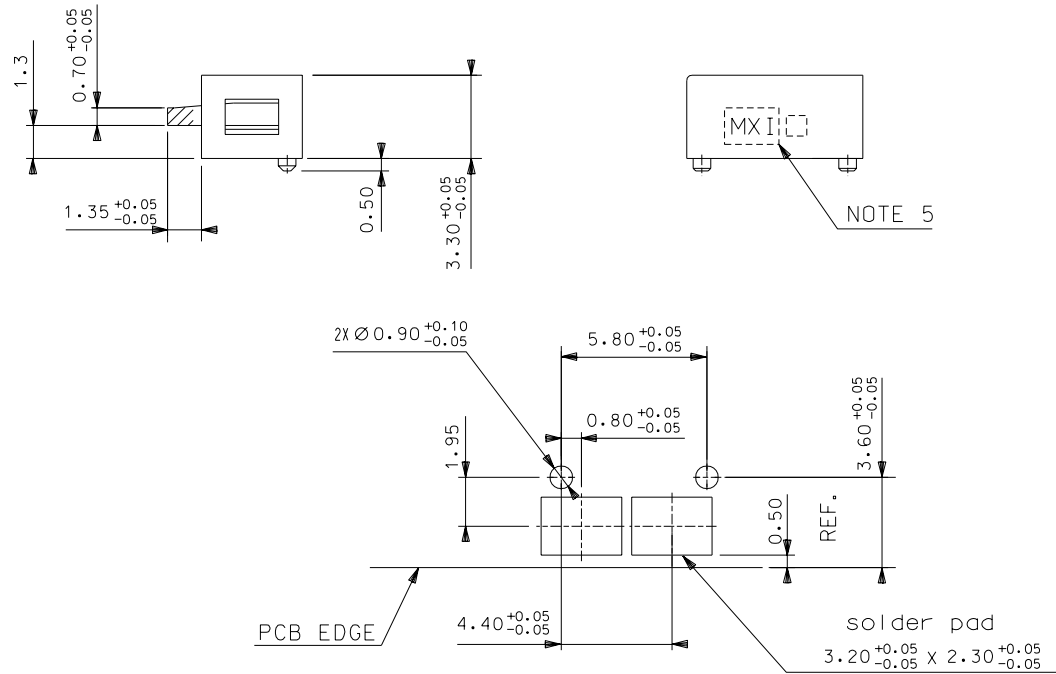
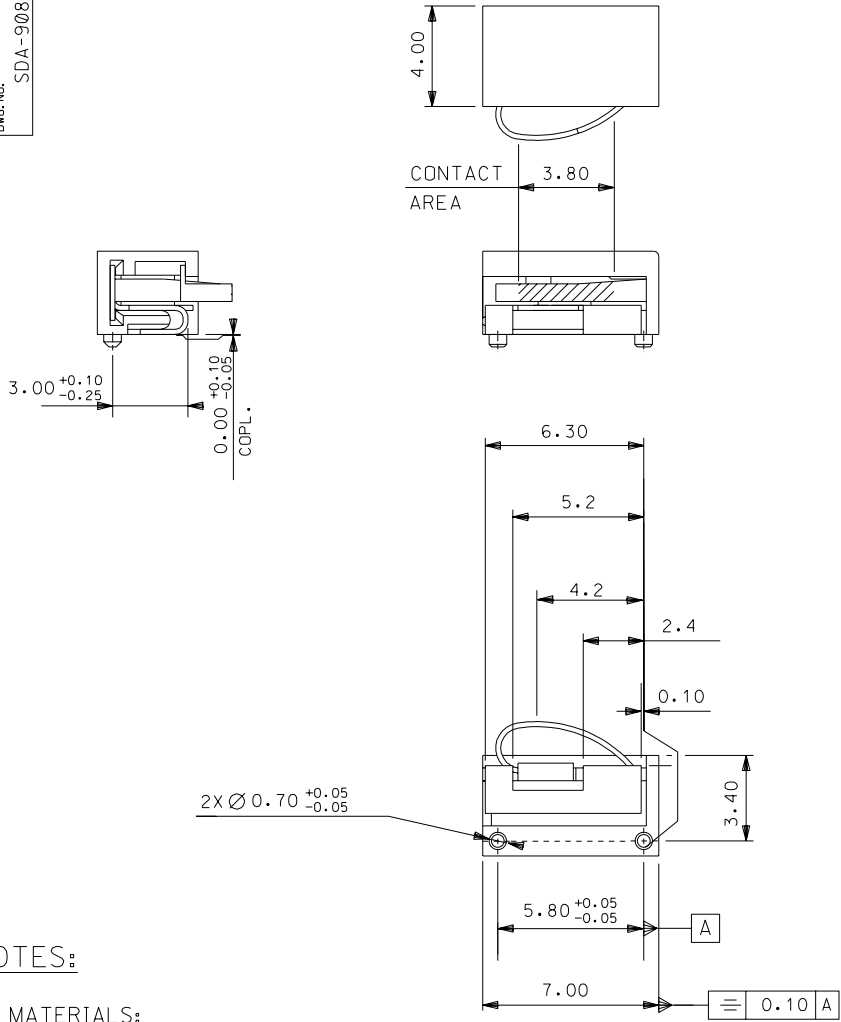


PART NO. 90868-0002
 DWG. NO. SDA-90868E



NOTES:

- MATERIALS:**
 HOUSING: 30% G.F. PA 46, COLOUR BLACK.
 CONTACT: 0.20 REF. PHOSPHOR BRONZE.
- PLATING:** NICKEL 1.27um MIN. UNDERCOAT OVERALL.
 GOLD FLASH 0.10um MIN. OVER PALLADIUM-NICKEL
 1.0um MIN. IN CONTACT AREA.
 3.0um MIN. TIN IN SOLDER TAIL AREA.
- PACKAGING:** TAPE AND REEL (EMBOSSSED TAPE), SEE SDA-90868-0001.
- SEE PRODUCT SPECIFICATION PS-99020-0041.
- MXI AND CAVITY I.D. RAISED IN THESE AREAS MAX 0.1.
 TEXT HEIGHT MAX 1.5.

RECOMMENDED PCB THICKNESS: 1.2
 RECOMMENDED PCB LAYOUT

FOR PREVIOUS DRAWING ISSUES SEE MRI.

REVISIONS	REMOVE LEAD FROM PLATING	THIRD ANGLE PROJECTION	REVISE ONLY ON CAD SYSTEM		
	ECN: E2004-0574 2004/03/10 D.CARTON		CADCAM FILENAME S90868X1 DGN	THIS DRAWING CONTAINS INFORMATION THAT IS PROPRIETARY TO MOLEX INC. & SHOULD NOT BE USED WITHOUT WRITTEN PERMISSION	
LTR	UNLESS OTHERWISE SPECIFIED TOLERANCES: ANGULAR ± 2°	FM	TITLE ONE CIRCUIT BATTERY CONNECTOR		
			3 PLACE ± .	SHEET NO. DATE 10F2 94/05/10	
	2 PLACE ± . ± 0.10	CHK'D BY	MOLEX EUROPE		
	1 PLACE ± 0.20	APP'D BY	PART NO. 90868-0002		SIZE B
	DRAFT WHERE APPLICABLE MUST REMAIN WITHIN DIMENSIONS	SCALE 5:1	DWG NO. SDA-90868E		
	DESIGN DIMENSION (PRIMARY) <input checked="" type="checkbox"/> (MM) <input type="checkbox"/> IN.				
	EQUIVALENT DIMENSION (SECONDARY) <input type="checkbox"/> (MM) <input type="checkbox"/> IN.				