

5

4

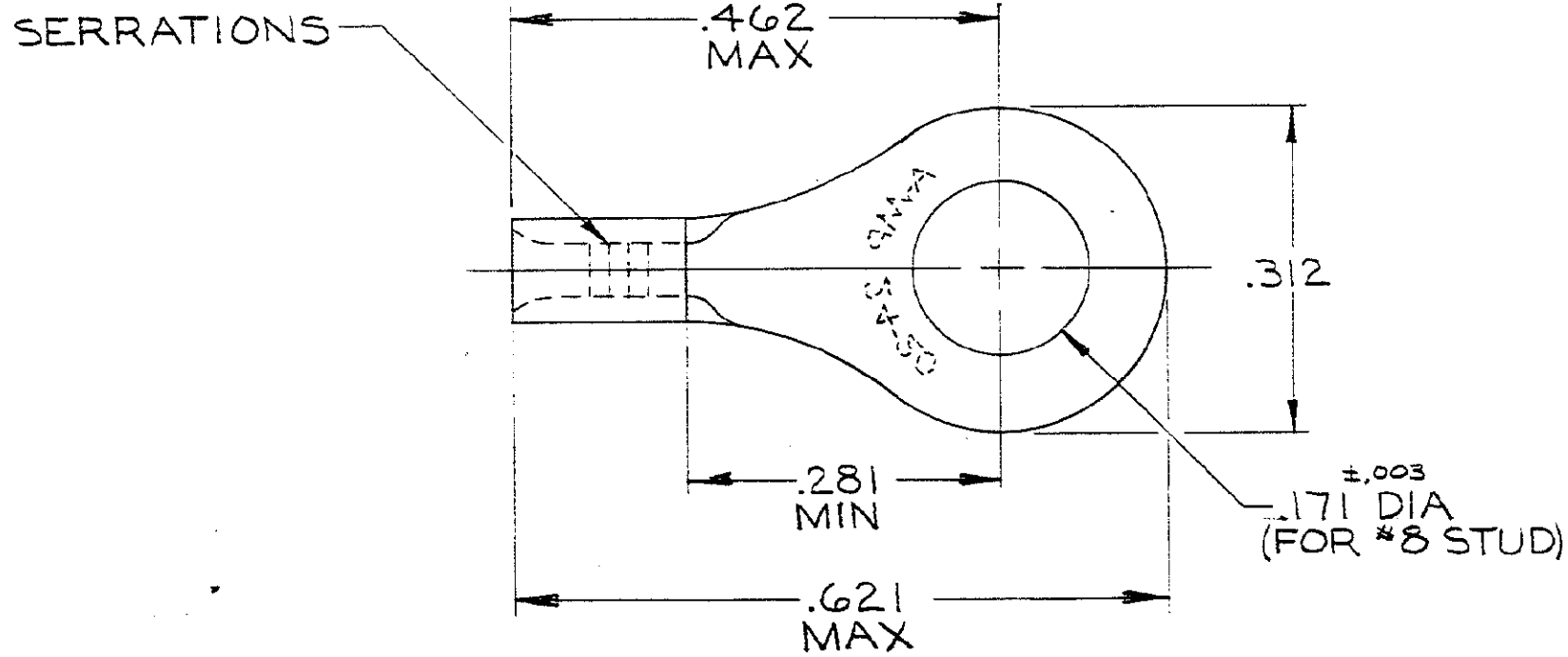
2

1

NUMBER 323987

©1956 BY AMP INCORPORATED. ALL RIGHTS RESERVED. AMP PRODUCTS COVERED BY PATENTS AND/OR PATENTS PENDING.

REVISIONS				
ZONE	LTR	DESCRIPTION	DATE	APPROVED



NOTE:  
1. TIN PL (MIL-T-10727)

UNLESS OTHERWISE SPECIFIED DIM. ARE IN INCHES. TOLERANCES ON: DECIMALS ±.008 ANGLES ± 5°		CONTRACT NO. <u>H</u>	<b>AMP</b> AMP INCORPORATED HARRISBURG, PENNSYLVANIA
MATERIAL COPPER (QQ-C-576) .023 ±.002 THK		DR <u>F.C. Young</u> 9-28-67 CHK <u>R. Wolfe</u> 9-28-67	
HEAT TREAT ANNEALED		APPD <u>Swabel</u> 9-29-67	SIZE <b>B</b>
FINISH NOTE 1		DSGN APPD	CODE IDENT NO. <b>00779</b>
AMP INFO LOC <u>G1410</u>		OTHER APPD	NUMBER <b>323987</b>
			SCALE <b>6:1</b>
			WT CALC ACTUAL SHEET <b>1 OF 1</b>

4

2

1