



PRODUCT SPECIFICATION

SAS/ PCIe VERTICAL SMT RECEPTACLE

1.0 SCOPE

This Product Specification covers the performance requirements of the SAS/PCIe High Speed Serialized host receptacle connector.

2.0 PRODUCT DESCRIPTION

2.1 PRODUCT NAME AND SERIES NUMBER(S)

Product Name

Series Number

SAS/PCIE, VERTICAL RECEPTACLE, SMT

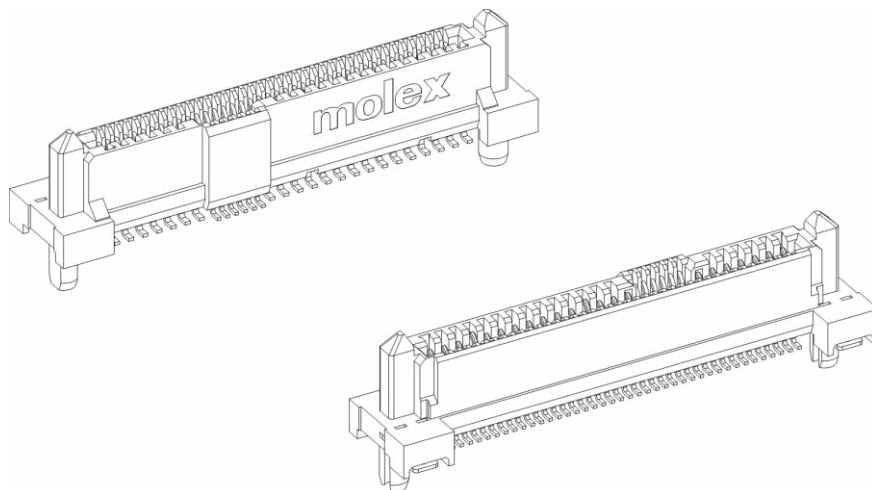
78757

2.2 DIMENSIONS, MATERIALS, PLATINGS AND MARKINGS

See the appropriate Sales Drawing for information on dimensions, materials, platings and markings.

2.3 SAFETY AGENCY APPROVALS

UL FILE : E29179 (VOL 10)
CSA : 1699307 (LR19980)



REVISION: A	ECR/ECN INFORMATION: EC No: S2015-1473 DATE: 2015/06/24	TITLE: SAS/ PCIe VERTICAL SMT RECEPTACLE	SHEET No. 1 of 8
DOCUMENT NUMBER: PS-78757-001	CREATED / REVISED BY: SKANG	CHECKED BY: CWANG	APPROVED BY: SHONG



PRODUCT SPECIFICATION

3.0 APPLICABLE DOCUMENTS AND SPECIFICATIONS

The following documents form a part of this specification to the extend specified herewith. In the event of conflict between the requirements of this specification and the product drawing, the product drawing shall take precedence. In addition, in event of conflict between the requirements of this specification and the referenced documents, this specification shall take precedence.

4.0 RATINGS

4.1 VOLTAGE

30 Volts Max.

4.2 CURRENT

Power Sector (per pin):

- Continuous Current 1.5 A
- Peak Current 2.5A for 1.5s
- Peak Current Pre-charge 6A for 1ms.

Signal Sector (per pin)

- Continuous Current 500mA

4.3 TEMPERATURE

Operating: 0°C to +55°C

Non-Operating: -40°C to +85°C

5.0 PERFORMANCE

5.1 ELECTRICAL REQUIREMENTS

ITEM	DESCRIPTION	TEST CONDITION	REQUIREMENT
1	Low Level Contact Resistance (LLCR)	Subject mated connectors to a maximum voltage of 20 mV and a current of 100 mA. (EIA 364-23)	30 mΩ MAXIMUM [Initial] 15 mΩ MAXIMUM [Delta change from Initial]

REVISION: A	ECR/ECN INFORMATION: EC No: S2015-1473 DATE: 2015/06/24	TITLE: SAS/ PCIe VERTICAL SMT RECEPTACLE	SHEET No. 2 of 8
DOCUMENT NUMBER: PS-78757-001	CREATED / REVISED BY: SKANG	CHECKED BY: CWANG	APPROVED BY: SHONG



PRODUCT SPECIFICATION

2	Temperature Rise (via current cycling) (Power Segment, P1 thru P15)	<p>Mount connector to a test PCB with ½ oz copper layer. Wire power pins P1, P2, P8 and P9 in parallel for power. Wire ground pins P4, P5, P6, P10 and P12 in parallel for return. Supply 6A total DC current to the power pins in parallel, returning from the parallel ground pins. Measure and record temperature after 96 hours (45 minutes ON and 15 minutes OFF per hour).</p>	<p>1.5 A per pin MINIMUM</p> <p>Temperature rise shall not exceed 30°C at any point in the connector when contacts are powered</p> <p>Still Air at Ambient temperature 25°C</p>
3	Insulation Resistance	<p>After 500 VDC for 1 minute, measure the insulation resistance between adjacent terminals of the mated and unmated connector assemblies. (EIA 364-21)</p>	<p>1000 Megohms MINIMUM</p>
4	Dielectric Withstanding Voltage	<p>Subject a voltage of 500 VAC for 1 minute between adjacent terminals of mated and unmated connector at sea level. (EIA 364-20)</p>	<p>No breakdown</p>

5.2 MECHANICAL REQUIREMENTS

ITEM	DESCRIPTION	TEST CONDITION	REQUIREMENT
5	Connector Mate and Unmate Forces	<p>Mate and Unmate connector assemblies at a rate of 25 mm per minute. (EIA 364-13)</p>	<p>Mate force : 59 N MAXIMUM</p> <p>Unmate force : 5 N MINIMUM</p> <p>[Initial and After Durability]</p>
6	Durability	<p>500 cycles for Backplane Receptacle, 25 cycles for cable application. All at a maximum rate of 200 cycles per hour. (EIA 364-09)</p>	<p>No Physical damage</p> <p>15 mΩ MAXIMUM [Delta change from Initial]</p>
7	Housing Slip Out Force	<p>Apply axial pull out force on housing at a rate of 25.4 mm per minute.</p>	<p>90 N MINIMUM</p>

REVISION:	ECR/ECN INFORMATION:	TITLE:	SHEET No.
A	<p>EC No: S2015-1473</p> <p>DATE: 2015/06/24</p>	<p>SAS/ PCIe</p> <p>VERTICAL SMT RECEPTACLE</p>	<p>3 of 8</p>
DOCUMENT NUMBER:		CREATED / REVISED BY:	CHECKED BY:
PS-78757-001		SKANG	CWANG
		APPROVED BY:	
		SHONG	



PRODUCT SPECIFICATION

8	Physical Shock	<p>Subject mated connector to 50 g's half-sine shock pulses of 11 milliseconds duration. Three shocks in each direction applied along three mutually perpendicular planes for a total of 18 shocks. (EIA 364-27 Test Condition A)</p> <p>Test Set-Up in Section 8.0</p>	<p>No Physical damage</p> <p>15 mΩ MAXIMUM [Delta change from Initial]</p> <p>No discontinuities of 1 μs or longer duration</p>
9	Random Vibration	<p>Subject mated connector to 3.10 g's RMS between 20-500Hz for 15 minutes in each of the three mutually perpendicular planes. (EIA 364-28 Condition VII Test letter D)</p> <p>Test Set-Up in Section 8.0</p>	<p>15 mΩ MAXIMUM [Delta change from Initial]</p> <p>No discontinuities of 1 μs or longer duration</p>

5.3 ENVIROMENTAL REQUIREMENTS

ITEM	DESCRIPTION	TEST CONDITION	REQUIREMENT
10	Humidity	<p>Subject the connector to temperature and humidity of 40°C with 90% to 95% RH for 96 hours. (EIA 364-31 Method II Test Condition A)</p>	<p>No Physical damage</p> <p>15 mΩ MAXIMUM [Delta change from Initial]</p>
11	Temperature Life	<p>Subject mated connector to temperature life at +85°C for 500 hours. (EIA 364-17 Method A Test Condition 3)</p>	<p>No Physical damage</p> <p>15 mΩ MAXIMUM [Delta change from Initial]</p>
12	Thermal Shock	<p>Subject connector to 10 cycles between -55°C and +85°C. (EIA 364-32 Method A Test Condition I)</p>	<p>No Physical damage</p>
13	Mixed Flowing Gas	<p>1 half of samples are exposed unmated (receptacle only) for 7 days and then mated for additional 7 days. The other half of samples mated for full 14 days test period. (EIA 364-65, Class IIA)</p>	<p>No Physical damage</p> <p>15 mΩ MAXIMUM [Delta change from Initial]</p>

REVISION:	ECR/ECN INFORMATION:	TITLE:	SHEET No.
A	EC No: S2015-1473 DATE: 2015/06/24	SAS/ PCIe VERTICAL SMT RECEPTACLE	4 of 8
DOCUMENT NUMBER:	CREATED / REVISED BY:	CHECKED BY:	APPROVED BY:
PS-78757-001	SKANG	CWANG	SHONG



PRODUCT SPECIFICATION

14	Resistance to Soldering Heat	Refer to Section 9.0 for Soldering profile.	No damage in appearance of connector.
15	Solderability	Unmated Connector. Steam age for 8 hours \pm 15 minutes. Solder Time: 3 \pm 0.5 seconds Solder Temperature: 260 \pm 5°C Flux type: ROL0 (JESD 22-B-102 Condition C)	95% MINIMUM Solder coverage

6.0 PACKAGING

Parts shall be packaged to protect against damage during handling, transit and storage.

<u>REVISION:</u> A	<u>ECR/ECN INFORMATION:</u> EC No: S2015-1473 DATE: 2015/06/24	<u>TITLE:</u> SAS/ PCIe VERTICAL SMT RECEPTACLE	<u>SHEET No.</u> 5 of 8
<u>DOCUMENT NUMBER:</u> PS-78757-001	<u>CREATED / REVISED BY:</u> SKANG	<u>CHECKED BY:</u> CWANG	<u>APPROVED BY:</u> SHONG



PRODUCT SPECIFICATION

7.0 TEST SEQUENCES

Test Group →	A	B	C	D	E	F	G
Test or Examination ↓							
Examination of the connector(s)	1, 5	1, 9	1, 8	1, 8	1, 8	1	
Low Level Contact Resistance (LLCR)	2, 4	3, 7	2,4,6		2,5,7		
Insulation Resistance				2, 6			
Dielectric Withstanding Voltage				3, 7			
Current Rating (Temperature Rise)			7				
Mate Force		2					
Unmate Force		8					
Durability	3	4 ^(a)			3 ^(a)		
Physical Shock		6					
Vibration		5					
Humidity				5			
Temperature Life			3				
Reseating (manually unplug/plug three times)			5		6		
Thermal Shock				4			
Mixed Flowing Gas					4		
Resistance to Soldering Heat						2	
Housing Slip Out Force						3	
Solderability							1
Note : (a) Preconditioning, 50 cycles for the 500-durability cycles requirement. The mate and unmate cycle is at a maximum rate of 200 cycles per hour.							

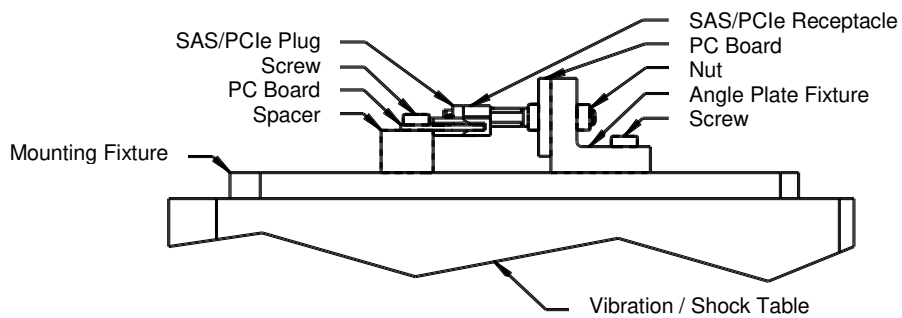
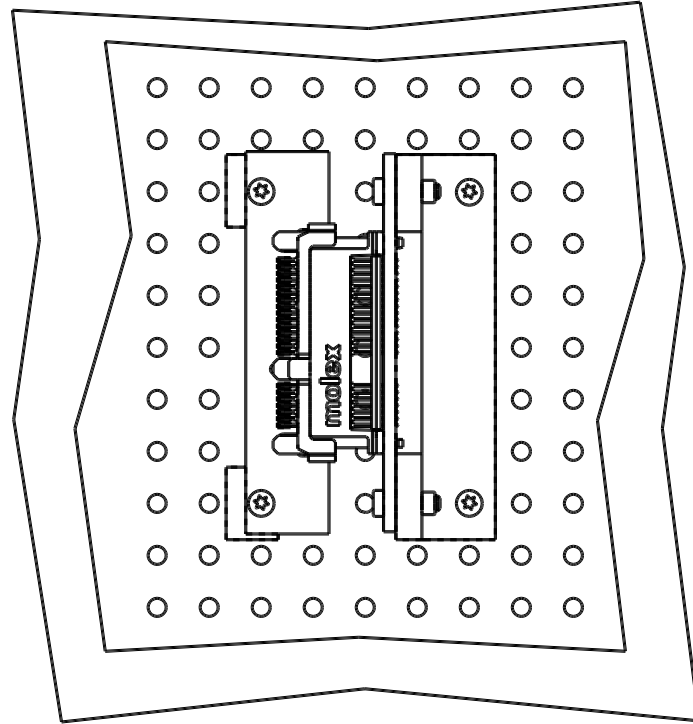
REVISION: A	ECR/ECN INFORMATION: EC No: S2015-1473 DATE: 2015/06/24	TITLE: SAS/ PCIe VERTICAL SMT RECEPTACLE	SHEET No. 6 of 8
DOCUMENT NUMBER: PS-78757-001	CREATED / REVISED BY: SKANG	CHECKED BY: CWANG	APPROVED BY: SHONG



PRODUCT SPECIFICATION

8.0 VIBRATION/SHOCK TEST SET-UP

SAS/PCIe Receptacle mated with SAS/PCIe Plug (For Reference Only)

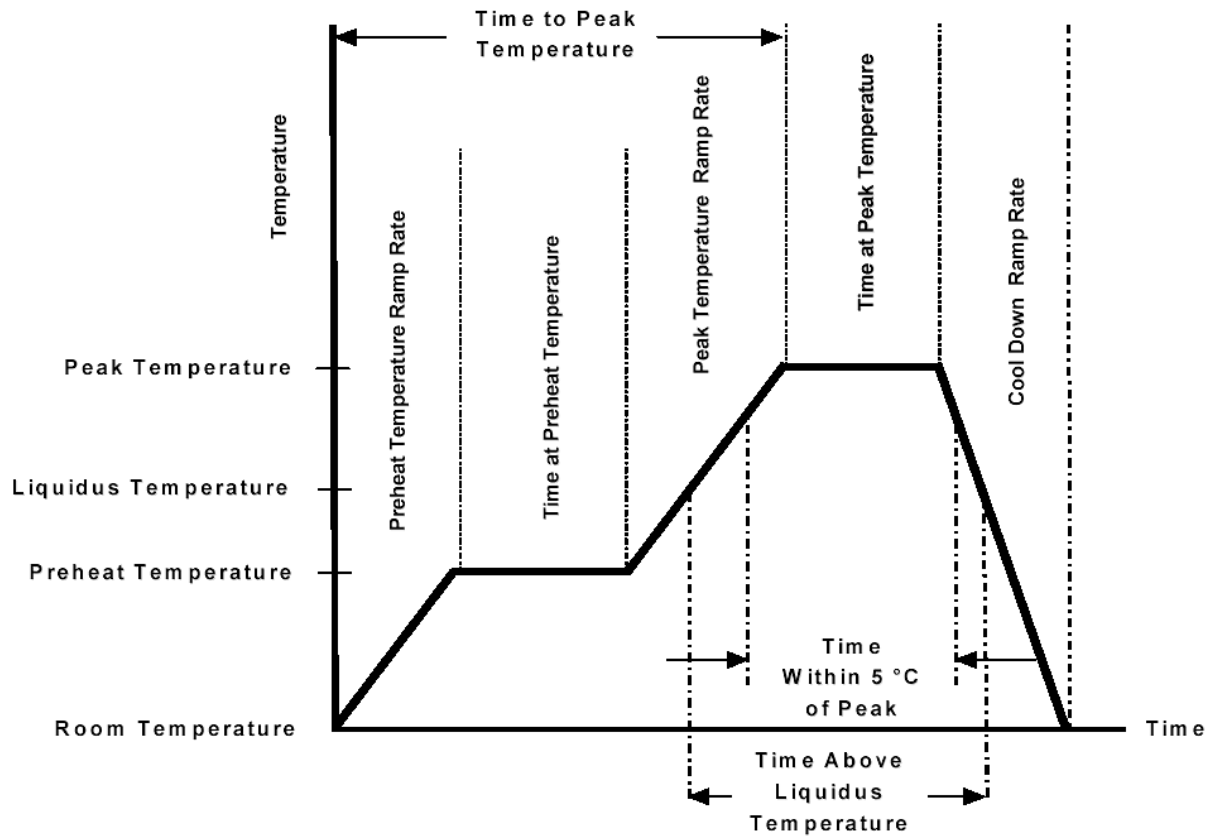


REVISION: A	ECR/ECN INFORMATION: EC No: S2015-1473 DATE: 2015/06/24	TITLE: SAS/ PCIe VERTICAL SMT RECEPTACLE	SHEET No. 7 of 8
DOCUMENT NUMBER: PS-78757-001	CREATED / REVISED BY: SKANG	CHECKED BY: CWANG	APPROVED BY: SHONG



PRODUCT SPECIFICATION

9.0 SOLDERING PROFILE



Description	Requirement
Average Ramp Rate	3°C/sec Max
Preheat Temperature	150°C Min to 200°C Max
Preheat Time	60 to 180 sec
Ramp to Peak	3°C/sec Max
Time over Liquidus (217°C)	60 to 150 sec
Peak Temperature	260 +0/-5°C
Time within 5°C of Peak	20 to 40 sec
Ramp - Cool Down	6°C/sec Max
Time 25°C to Peak	8 min Max

REVISION: A	ECR/ECN INFORMATION: EC No: S2015-1473 DATE: 2015/06/24	TITLE: SAS/ PCIe VERTICAL SMT RECEPTACLE	SHEET No. 8 of 8
DOCUMENT NUMBER: PS-78757-001	CREATED / REVISED BY: SKANG	CHECKED BY: CWANG	APPROVED BY: SHONG