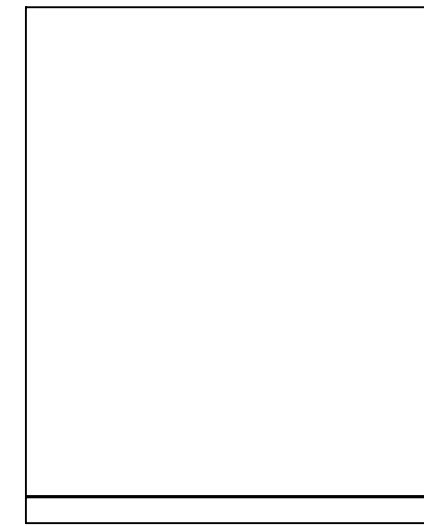
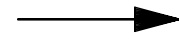
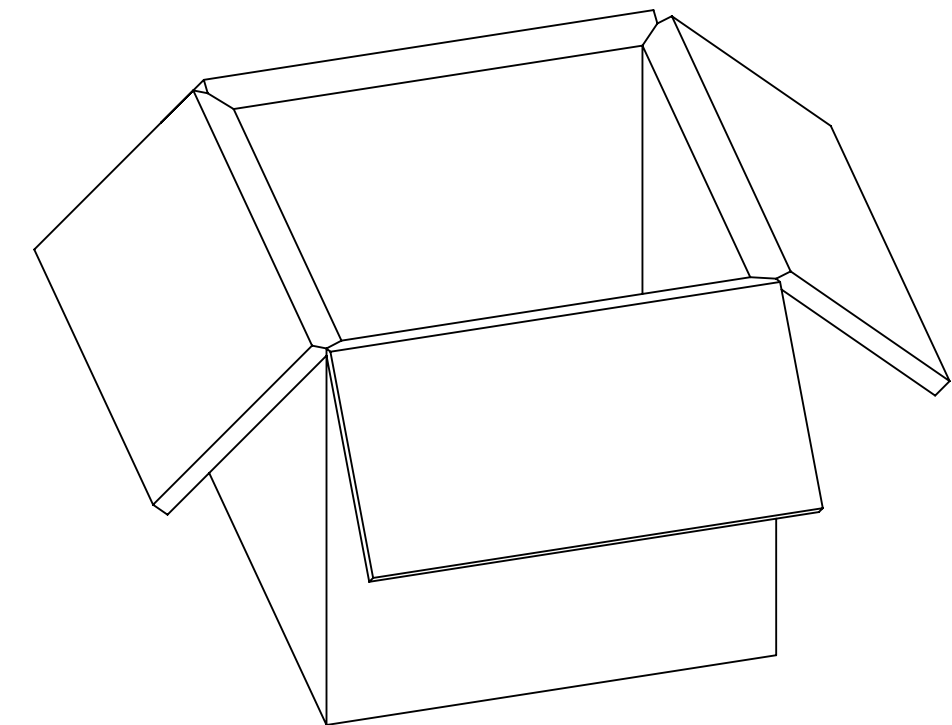


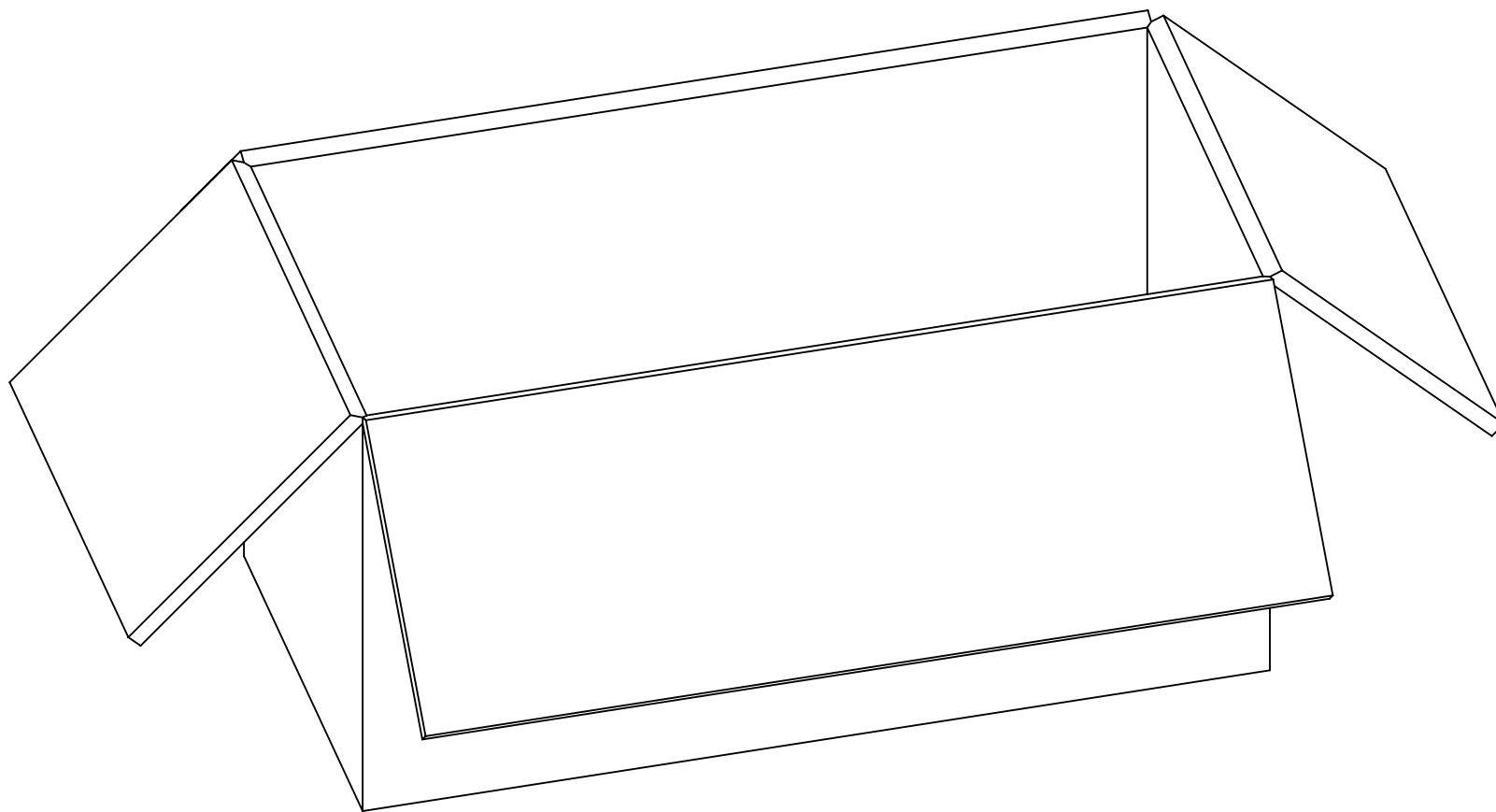
PRODUCT  
P/N: XXXXX-XXXX



500 SETS PER BAG



2000 SETS PER INNER CARTON BOX



4000 SETS PER OUTER CARTON BOX

THIS DRAWING CONTAINS INFORMATION THAT IS PROPRIETARY TO MOLEX ELECTRONIC TECHNOLOGIES, LLC AND SHOULD NOT BE USED WITHOUT WRITTEN PERMISSION

DIMENSION UNITS		SCALE		CURRENT REV DESC: NEW RELEASE PER EWR #15848-B			<b>molex</b>		
mm		NTS							
GENERAL TOLERANCES (UNLESS SPECIFIED)							PACKAGING SPEC 89707-0001 (DU 4000) EWR-15848		
ANGULAR TOL ± °				EC NO: 750290			PRODUCT CUSTOMER DRAWING		
4 PLACES ±				DRWN: RYEH 2023/05/18			DOCUMENT NUMBER		
3 PLACES ±				CHK'D: YCHENG 2023/05/24			895420161		
2 PLACES ±				APPR: YCHENG 2023/05/24			PSD 000 A		
1 PLACE ±				INITIAL REVISION:			DOC TYPE   DOC PART   REVISION		
0 PLACES ±				DRWN: RYEH 2023/05/18			1		
APPR: YCHENG 2023/05/24				MATERIAL NUMBER			SHEET NUMBER		
DRAFT WHERE APPLICABLE MUST REMAIN WITHIN DIMENSIONS				THIRD ANGLE PROJECTION		DRAWING		SERIES	
						C-SIZE		89542	
				MATERIAL NUMBER		CUSTOMER		1 OF 1	
				895420161					

DOCUMENT STATUS	P1	RELEASE DATE	2023/05/24	11:34:24
-----------------	----	--------------	------------	----------

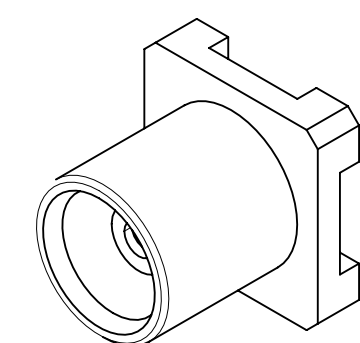
FORMAT: B9-9900-C  
REVISION: J1  
DATE: 2023/05/01

**MATERIALS & FINISHES:**

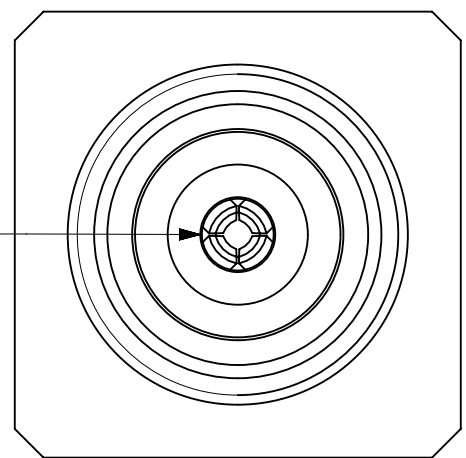
**BODY: BRASS**  
**PLATING SEE TABLE**

**CONTACT: BERYLLIUM COPPER**  
**GOLD (30µ-in MIN)**

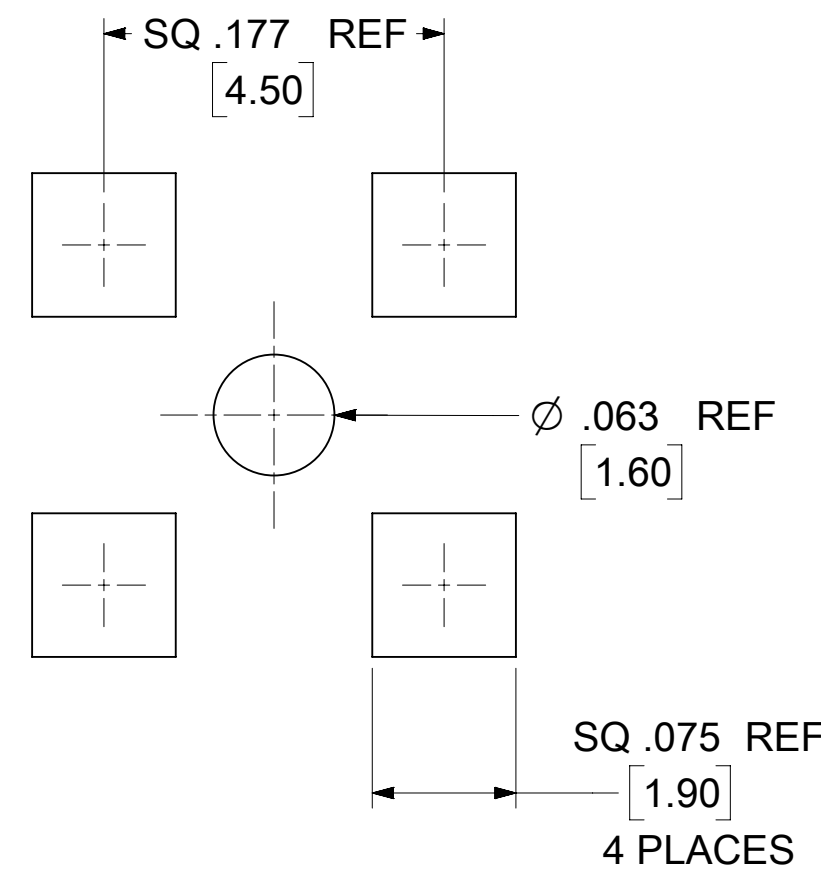
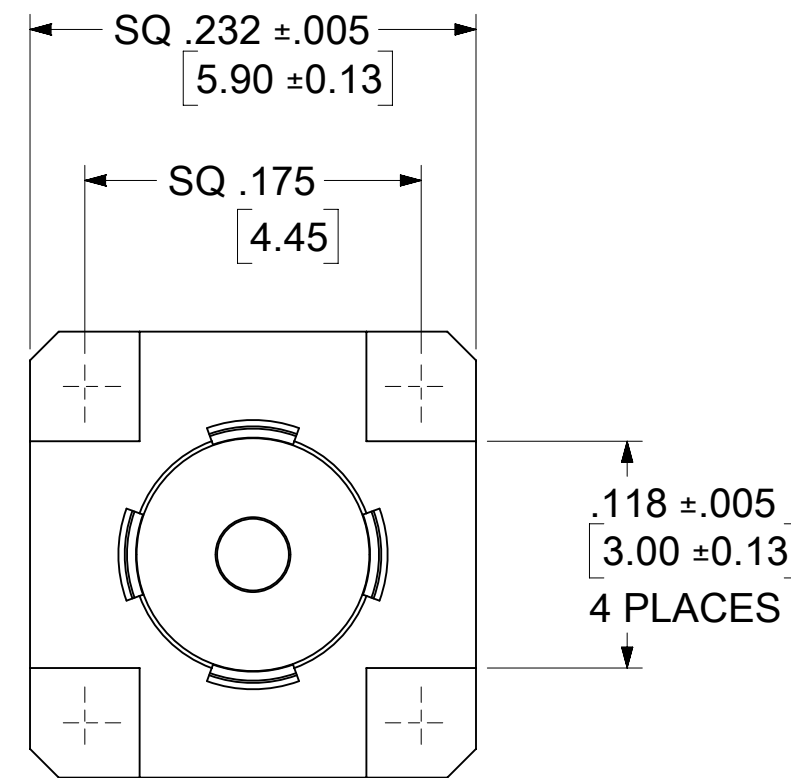
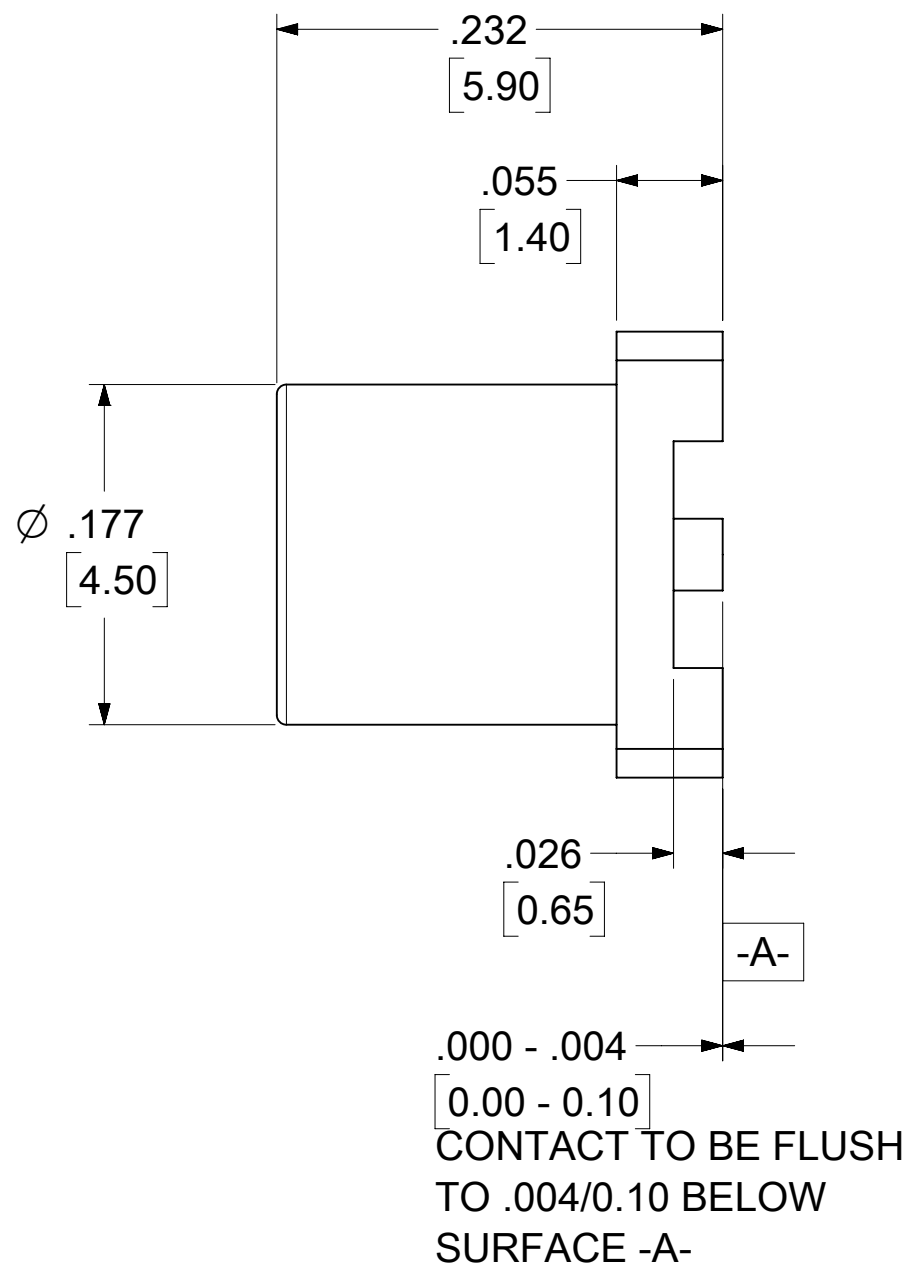
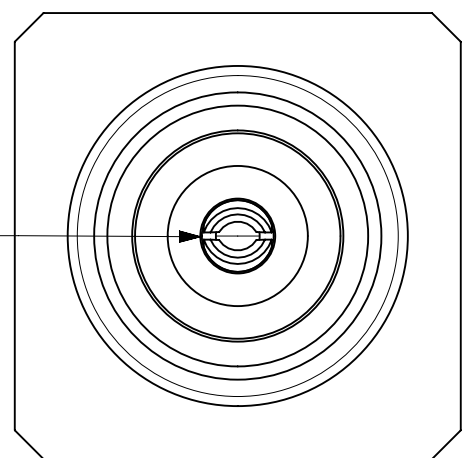
**INSULATOR: TEFLON**



**NOTE:**  
 73415-1696 & 73415-1697  
 WITH 4 SLOTS CONTACT



**NOTE:**  
 73415-1690 & 73415-1691 &  
 73415-1692 & 73415-1693 &  
 73415-1694 & 73415-1695 &  
 73415-1698 & 73415-1699 &  
 73366-6510  
 WITH 2 SLOTS CONTACT



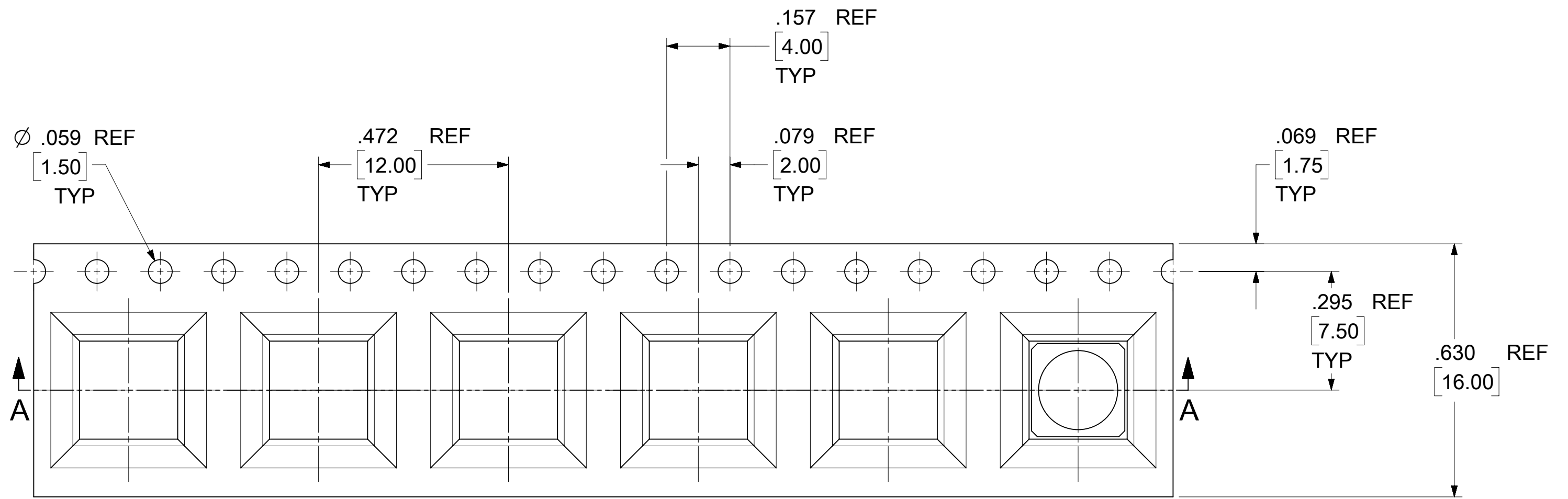
**RECOMMENDED MOUNTING PATTERN**

73366-6510	GOLD (1µ-in MIN)	2 SLOTS	73415-1691 TAPE & REEL WITH KAPTON	750 PCS PER REEL	SHEET 2, 3 & 4
73415-1699	GOLD (1µ-in MIN)	2 SLOTS	73416-1691 ONE PER BAG	1 PCS PER BAG	895420089
73415-1698	GOLD (30µ-in MIN)	2 SLOTS	73415-1698 TAPE & REEL WITH KAPTON	750 PCS PER REEL	SHEET 2, 3 & 4
73415-1697	GOLD (1µ-in MIN)	4 SLOTS	73415-1696 TAPE & REEL WITH KAPTON	750 PCS PER REEL	SHEET 2, 3 & 4
73415-1696	GOLD (1µ-in MIN)	4 SLOTS	73415-1696 BAG	500 PCS PER BAG	895420601
73415-1695	NICKEL	2 SLOTS	73415-1690 TAPE & REEL WITH KAPTON	750 PCS PER REEL	SHEET 2, 3 & 4
73415-1694	GOLD (1µ-in MIN)	2 SLOTS	73416-1691 SMALL TRAY	20 PCS PER TRAY	895420200
73415-1693	NICKEL	2 SLOTS	73415-1690 SMALL TRAY	20 PCS PER TRAY	895420200
73415-1692	GOLD (1µ-in MIN)	2 SLOTS	73415-1691 TAPE & REEL WITH KAPTON	750 PCS PER REEL	SHEET 2, 3 & 4
73415-1691	GOLD (1µ-in MIN)	2 SLOTS	73415-1691 BAG	500 PCS PER BAG	895420161
73415-1690	NICKEL	2 SLOTS	73415-1690 BAG	500 PCS PER BAG	895420161
<b>PART NO.</b>	<b>BODY PLATING</b>	<b>CONTACT</b>	<b>DESCRIPTION</b>	<b>QUANTITY</b>	<b>PACKING SPEC</b>

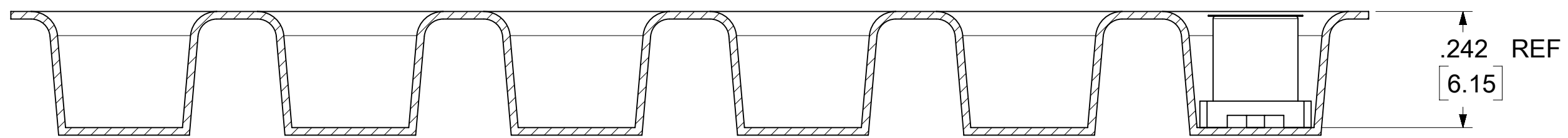
PS-89675-183	ELEC/MECH PERFORMANCE
SPECIFICATION	DESCRIPTION

THIS DRAWING CONTAINS INFORMATION THAT IS PROPRIETARY TO MOLEX ELECTRONIC TECHNOLOGIES, LLC AND SHOULD NOT BE USED WITHOUT WRITTEN PERMISSION

DIMENSION UNITS	SCALE	CURRENT REV DESC: ADD PACKING SPEC PER EWR #15848-A				
INCH/MM	NTS					
GENERAL TOLERANCES (UNLESS SPECIFIED)			MCX PCB/SMT JACK 50 OHM MCX-J/PCB/SMT EWR-1148			
4 PLACES	±	±				
3 PLACES	±	± 0.01	PRODUCT CUSTOMER DRAWING			
2 PLACES	±	± 0.25				
1 PLACE	±	±	DOCUMENT NUMBER: <b>SD-73415-169</b>			
0 PLACES	±	±				
ANGULAR TOL	±	± 2.0 °	DOC TYPE: PSD   DOC PART: 001   REVISION: B7			
DRAFT WHERE APPLICABLE MUST REMAIN WITHIN DIMENSIONS						
THIRD ANGLE PROJECTION		DRAWING	SERIES	MATERIAL NUMBER	CUSTOMER	SHEET NUMBER
		C-SIZE	73415	SEE TABLE	GENERAL MARKET	1 OF 4

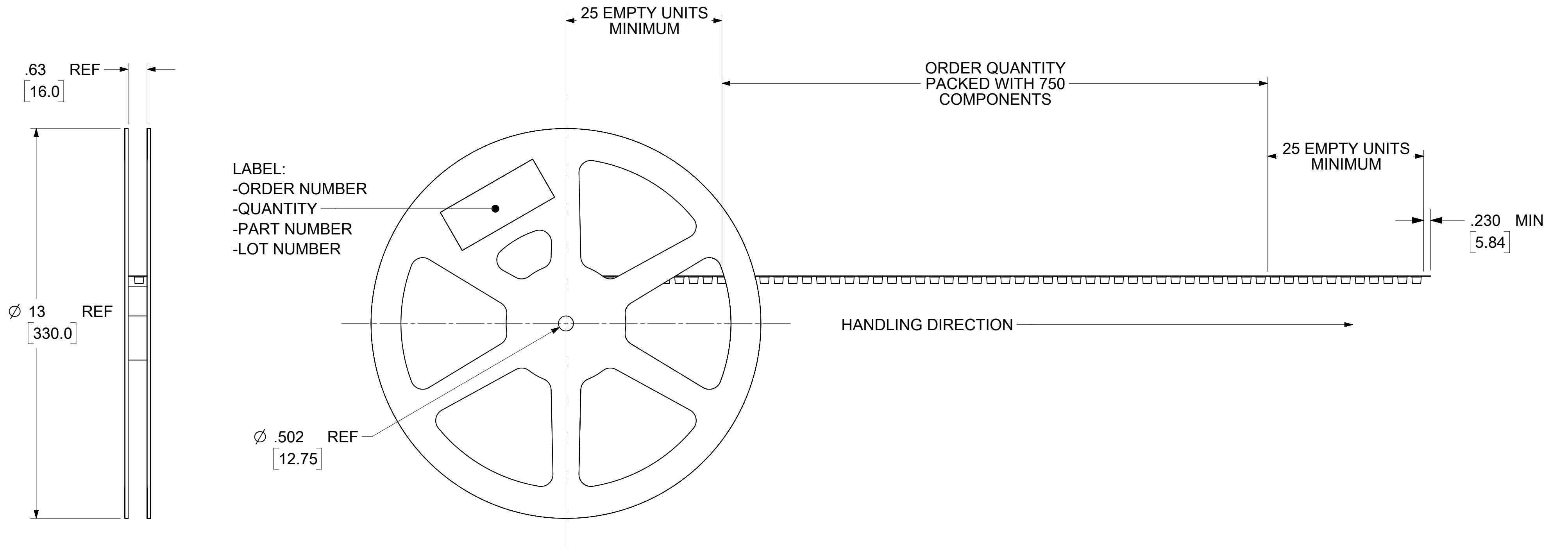


VIEWS FOR 73415-1692 & 73415-1695 & 73415-1697 & 73415-1698 & 73366-6510

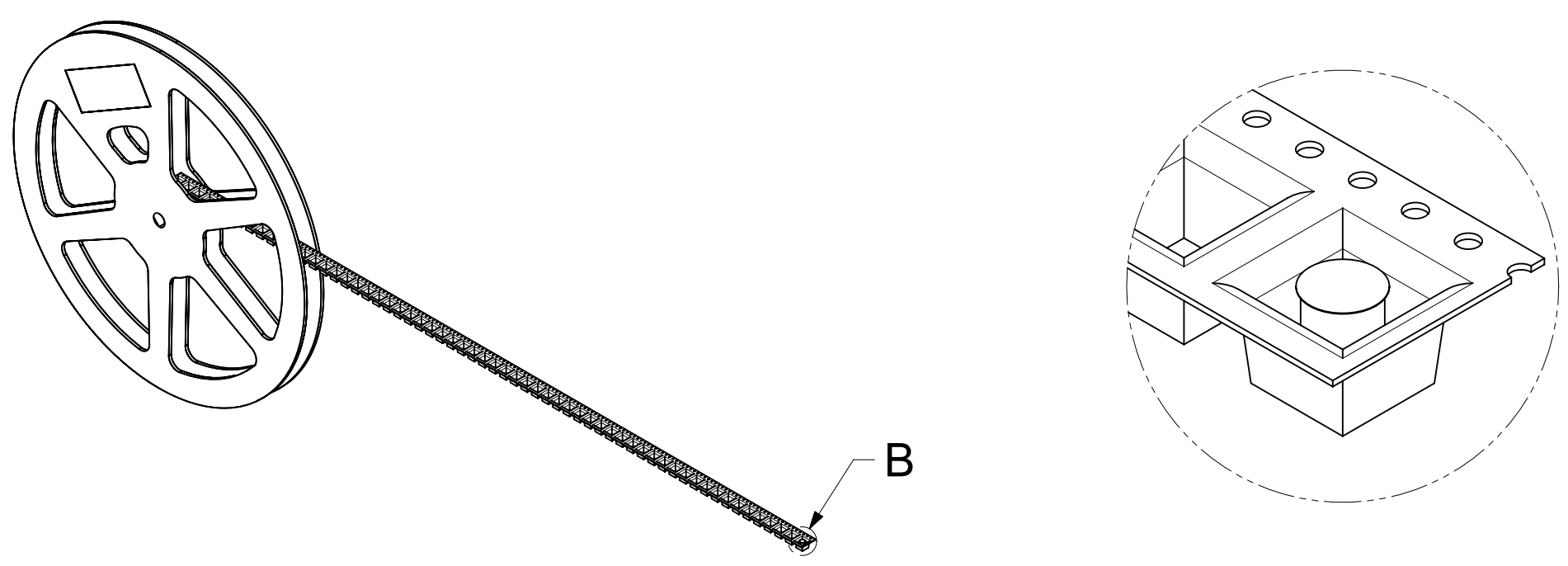


SECTION A-A

THIS DRAWING CONTAINS INFORMATION THAT IS PROPRIETARY TO MOLEX ELECTRONIC TECHNOLOGIES, LLC AND SHOULD NOT BE USED WITHOUT WRITTEN PERMISSION										
DIMENSION UNITS <b>INCH/MM</b>		SCALE <b>NTS</b>		CURRENT REV DESC: ADD PACKING SPEC PER EWR #15848-A			<b>molex</b>			
GENERAL TOLERANCES (UNLESS SPECIFIED)				EC NO: 750290						MCX PCB/SMT JACK 50 OHM MCX-J/PCB/SMT EWR-1148
4 PLACES		±	±	DRWN: RYEH 2023/05/10			PRODUCT CUSTOMER DRAWING			
3 PLACES		±	± 0.01	CHK'D: YCHENG 2023/05/24			DOCUMENT NUMBER			
2 PLACES		± 0.25	±	APPR: YCHENG 2023/05/24			SD-73415-169			
1 PLACE		±	±	INITIAL REVISION:			DOC TYPE			
0 PLACES		±	±	DRWN: YCHENG 2007/02/08			PSD			
ANGULAR TOL		± 2.0 °		APPR: MHUANG 2007/02/09			DOC PART			
DRAFT WHERE APPLICABLE MUST REMAIN WITHIN DIMENSIONS				THIRD ANGLE PROJECTION		DRAWING	SERIES	MATERIAL NUMBER	CUSTOMER	REVISION
						<b>C-SIZE</b>	<b>73415</b>	SEE TABLE	GENERAL MARKET	<b>B7</b>
DOCUMENT STATUS				P1		RELEASE DATE		2023/05/24 11:34:23		
SHEET NUMBER		2 OF 4								



VIEWS FOR 73415-1692 & 73415-1695 & 73415-1697 & 73415-1698 & 73366-6510



THIS DRAWING CONTAINS INFORMATION THAT IS PROPRIETARY TO MOLEX ELECTRONIC TECHNOLOGIES, LLC AND SHOULD NOT BE USED WITHOUT WRITTEN PERMISSION												
DIMENSION UNITS		SCALE		CURRENT REV DESC: ADD PACKING SPEC PER EWR #15848-A				<b>molex</b>				
INCH/MM		NTS										
GENERAL TOLERANCES (UNLESS SPECIFIED)				EC NO: 750290 DRWN: RYEH 2023/05/10 CHK'D: YCHENG 2023/05/24 APPR: YCHENG 2023/05/24 INITIAL REVISION: DRWN: YCHENG 2023/02/08 APPR: MHUANG 2023/02/09				MCX PCB/SMT JACK 50 OHM MCX-J/PCB/SMT EWR-1148				
4 PLACES		±	±					PRODUCT CUSTOMER DRAWING				
3 PLACES		±	± 0.01					DOCUMENT NUMBER				
2 PLACES		± 0.25	±					SD-73415-169		DOC TYPE	DOC PART	REVISION
1 PLACE		±	±					SEE TABLE		PSD	001	B7
0 PLACES		±	±	MATERIAL NUMBER		CUSTOMER		SHEET NUMBER				
ANGULAR TOL		± 2.0 °		THIRD ANGLE PROJECTION		C-SIZE		73415				
DRAFT WHERE APPLICABLE MUST REMAIN WITHIN DIMENSIONS				DRAWING		SERIES		GENERAL MARKET				
				C-SIZE		73415		3 OF 4				

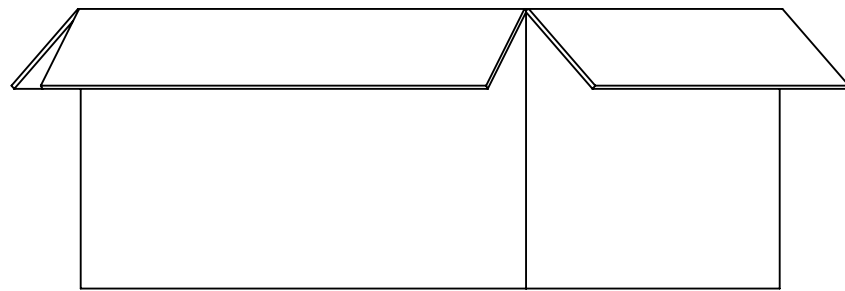
DOCUMENT STATUS	P1	RELEASE DATE	2023/05/24	11:34:23
-----------------	----	--------------	------------	----------

73415-1698	73415-1698 TAPE & REEL WITH KAPTON	750 PCS	6000 PCS
73415-1697	73415-1696 TAPE & REEL WITH KAPTON	750 PCS	6000 PCS
73415-1695	73415-1690 TAPE & REEL WITH KAPTON	750 PCS	6000 PCS
73415-1692	73415-1691 TAPE & REEL WITH KAPTON	750 PCS	6000 PCS
PART NO.	DESCRIPTION	QTY/REEL	QTY/CARTON

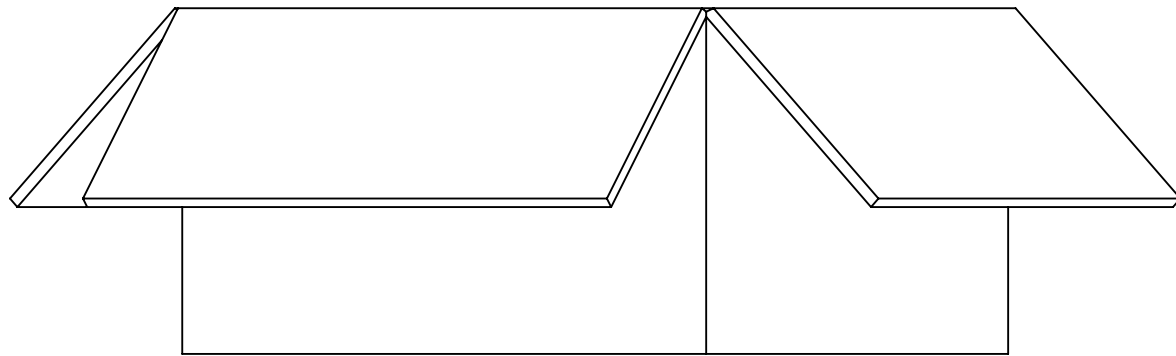
73366-6510	73415-1691 TAPE & REEL WITH KAPTON	750 PCS	750 PCS
PART NO.	DESCRIPTION	QTY/REEL	QTY/CARTON



750 PCS PER REEL



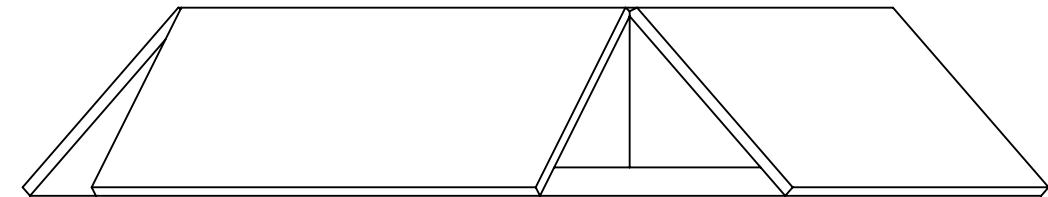
8 REELS PER INNER CARTON BOX  
(8 X 750 = 6000 PCS)



8 REELS PER OUTER CARTON BOX  
(8 X 750 = 6000 PCS)



750 PCS PER REEL



1 REEL PER CARTON BOX  
(1 X 750 = 750 PCS)

THIS DRAWING CONTAINS INFORMATION THAT IS PROPRIETARY TO MOLEX ELECTRONIC TECHNOLOGIES, LLC AND SHOULD NOT BE USED WITHOUT WRITTEN PERMISSION

DIMENSION UNITS		SCALE		CURRENT REV DESC: ADD PACKING SPEC PER EWR #15848-A		<b>molex</b>				
INCH/MM		NTS								
GENERAL TOLERANCES (UNLESS SPECIFIED)				EC NO: 750290		MCX PCB/SMT JACK 50 OHM MCX-J/PCB/SMT EWR-1148				
		MM	INCH							
4 PLACES	±		±	DRWN: RYEH		PRODUCT CUSTOMER DRAWING				
3 PLACES	±		± 0.01	2023/05/10						
2 PLACES	±	0.25	±	CHK'D: YCHENG		DOCUMENT NUMBER				
1 PLACE	±		±	2023/05/24						SD-73415-169
0 PLACES	±		±	APPR: YCHENG		2007/02/08		PSD	001	B7
ANGULAR TOL		± 2.0 °		INITIAL REVISION:		2007/02/09		SHEET NUMBER		
DRAFT WHERE APPLICABLE MUST REMAIN WITHIN DIMENSIONS		THIRD ANGLE PROJECTION		DRAWING		SERIES		MATERIAL NUMBER		CUSTOMER
				C-SIZE		73415		SEE TABLE		GENERAL MARKET
										4 OF 4

DOCUMENT STATUS	P1	RELEASE DATE	2023/05/24	11:34:23
-----------------	----	--------------	------------	----------