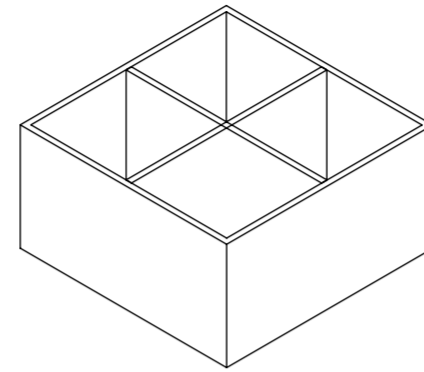


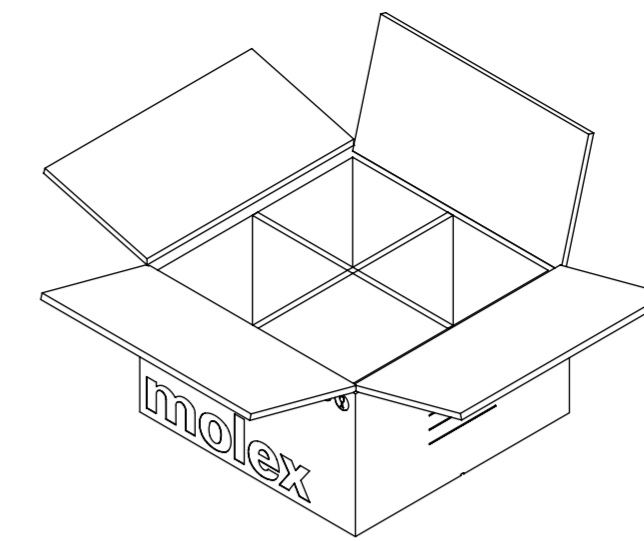
CARTON BOX
PART# 0967080007/ F69V196X000

+

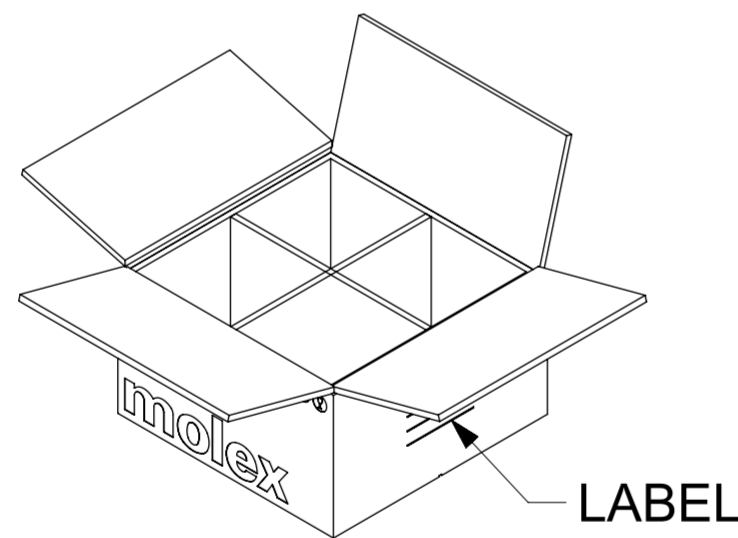
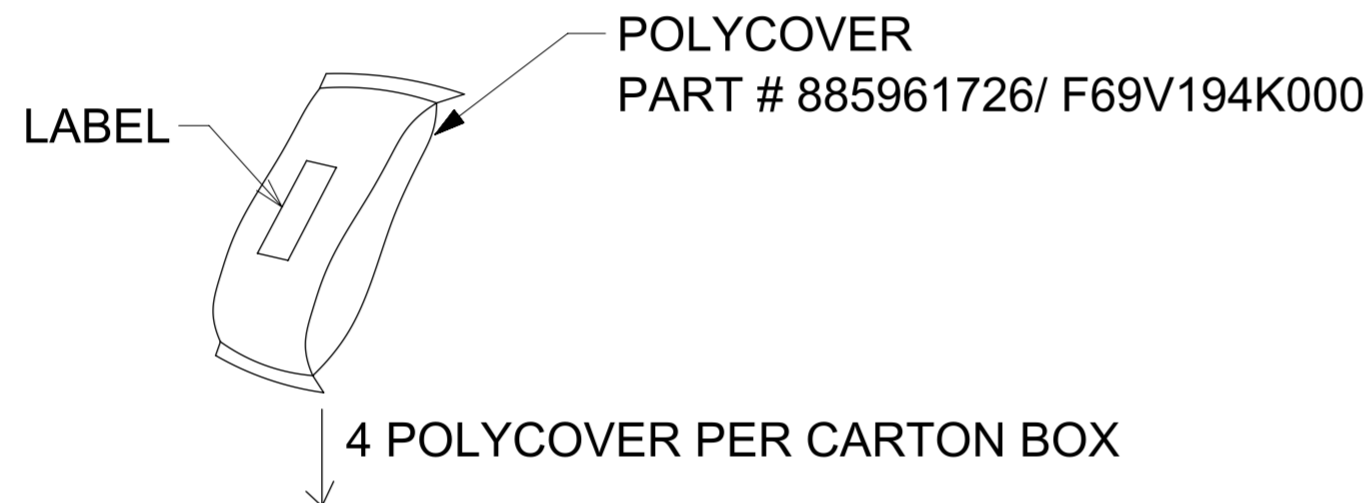


PARTITION
PART# 313005940/F69V195X000

=



PARTITION PLACED INSIDE
CARTON BOX



TABLE

MOLEX PART NUMBER	PART DESCRIPTION	QTY PER POLYCOVER (pcs)	POLYCOVER PER CARTON BOX (pcs)	SPQ (pcs)
201840-0030	MultiCat Plug Hsg 1X3 Key A	400	4	1600
201840-0031	MultiCat Plug Hsg 1X3 Key B	400	4	1600
201840-0040	MultiCat Plug Hsg 1X4 Key A	300	4	1200
201840-0041	MultiCat Plug Hsg 1X4 Key B	300	4	1200

NOTES:

- 1.MAKE SURE PROPER PROTECTION ON HOUSING
- 2.SEAL THE POLYCOVER
- 3.BAR CODE LABELING AS PER ES-4000-7012
- 4.PACKAGING QUANTITY DETAILS ARE PROVIDED IN THE TABULAR COLUMN
- 5.ONE SPQ IN ONE BOX
- 6.PART NUMBER IMAGES ILLUSTRATION PURPOSE ONLY, REFER CORRESPONDING PART DRAWING FOR PRECISE DETAILS
- 7.PLACE 4 POLYCOVER IN ONE CARTON BOX, ONE POLYCOVER IN EACH PARTITION

QUALITY SYMBOLS	THIS DRAWING CONTAINS INFORMATION THAT IS PROPRIETARY TO MOLEX ELECTRONIC TECHNOLOGIES, LLC AND SHOULD NOT BE USED WITHOUT WRITTEN PERMISSION									
▽ = 0	UPDATE AFT DROP TEST EC NO: 112884 DRWN: NCSR CHKD: KPRASAD APPR: KPRASAD 2017/01/27 2017/01/27	GENERAL TOLERANCES (UNLESS SPECIFIED)		DIMENSION UNITS	SCALE					
▽ = 0		ANGULAR TOL ± °		MM	NTS					
▽ = 0		4 PLACES ±		DRWN BY	DATE	MULTICAT IN-LINE PLUG HOUSINGS WTW				
▽ = 0		3 PLACES ±		PKH	2016/11/11					
▽ = 0		2 PLACES ±		CHK'D BY	DATE	PACKAGING DESIGN DRAWING				
▽ = 0		1 PLACE ±		APPR BY	DATE					
▽ = 0		0 PLACES ±		KPRASAD	2017/01/27	SERIES	MATERIAL NUMBER	CUSTOMER		
☒ = 0		DRAFT WHERE APPLICABLE MUST REMAIN WITHIN DIMENSIONS		DRAWING SIZE	THIRD ANGLE PROJECTION	201840	SEE DRAWING	GENERAL MARKET		
■ = 0		A	A2				DOCUMENT NUMBER	DOC TYPE	DOC PART	SHEET NUMBER
▽ = 0						2018400000-PK	PDD	000	1 OF 1	