

368162-1 ✓ ACTIVE

Junior Power Timer

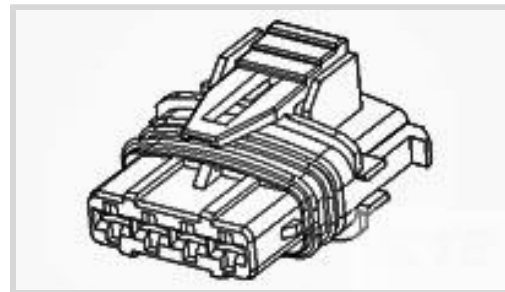
TE Internal #: 368162-1

Housing for Female Terminals, Wire-to-Wire, 4 Position, .196 in [5 mm] Centerline, Sealable, Black, Wire & Cable, Signal, Junior Power Timer

[View on TE.com >](#)



Connectors > Automotive Connectors > Automotive Housings > Timer Connector Housing



Connector & Housing Type: **Housing for Female Terminals**

Mating Tab Width: **2.8 mm [.11 in]**

Connector System: **Wire-to-Wire**

Number of Positions: **4**

Centerline (Pitch): **5 mm [.196 in]**

[All Timer Connector Housing \(589\)](#)

Features

Product Type Features

Connector Shape	Rectangular
Connector & Housing Type	Housing for Female Terminals
Connector System	Wire-to-Wire
Sealable	Yes
Hybrid Connector	No
Primary Locking Feature	Integrated in Housing
Connector & Contact Terminates To	Wire & Cable

Configuration Features

Number of Positions	4
Number of Rows	1

Body Features

Cable Exit Angle	180°
Primary Product Color	Black

Contact Features

Contact Size	2.8mm
Contact Type	Receptacle
Mating Tab Width	2.8 mm[.11 in]



Mechanical Attachment

Terminal Position Assurance	No
Strain Relief	Without
Mating Alignment Type	Polarizing Rib
Mating Alignment	With
Connector Mounting Type	Cable Mount (Free-Hanging)

Housing Features

Housing Material	PA GF
Centerline (Pitch)	5 mm [.196 in]

Dimensions

Connector Height	12.3 mm [.484 in]
Product Width	30.5 mm [1.2 in]
Product Length	29.3 mm [1.15 in]

Operation/Application

Circuit Application	Signal
---------------------	--------

Packaging Features

Packaging Quantity	250
Packaging Method	Bag

Other

Serviceable	No
Connector Position Assurance Capable	No

Product Compliance

[For compliance documentation, visit the product page on TE.com>](#)

EU RoHS Directive 2011/65/EU	Compliant
EU ELV Directive 2000/53/EC	Compliant
China RoHS 2 Directive MIIT Order No 32, 2016	No Restricted Materials Above Threshold
EU REACH Regulation (EC) No. 1907/2006	Current ECHA Candidate List: JUNE 2023 (235) Candidate List Declared Against: JUNE 2022 (224) Does not contain REACH SVHC
Halogen Content	Low Halogen - Br, Cl, F, I < 900 ppm per

homogenous material. Also BFR/CFR/PVC Free

Solder Process Capability

Not applicable for solder process capability


Product Compliance Disclaimer

This information is provided based on reasonable inquiry of our suppliers and represents our current actual knowledge based on the information they provided. This information is subject to change. The part numbers that TE has identified as EU RoHS compliant have a maximum concentration of 0.1% by weight in homogenous materials for lead, hexavalent chromium, mercury, PBB, PBDE, DBP, BBP, DEHP, DIBP, and 0.01% for cadmium, or qualify for an exemption to these limits as defined in the Annexes of Directive 2011/65/EU (RoHS2). Finished electrical and electronic equipment products will be CE marked as required by Directive 2011/65/EU. Components may not be CE marked. Additionally, the part numbers that TE has identified as EU ELV compliant have a maximum concentration of 0.1% by weight in homogenous materials for lead, hexavalent chromium, and mercury, and 0.01% for cadmium, or qualify for an exemption to these limits as defined in the Annexes of Directive 2000/53/EC (ELV). Regarding the REACH Regulation, the information TE provides on SVHC in articles for this part number is based on the latest European Chemicals Agency (ECHA) 'Guidance on requirements for substances in articles' posted at this URL: <https://echa.europa.eu/guidance-documents/guidance-on-reach>

Compatible Parts



TE Part # CAT-T4827-T273
TIMER, RECEPTACLE AND TAB



TE Part # 2219574-2
COVER HSG FOR JPT 4P




TE Part # 2005484-2
JPT 4P COVER HSG FOR XM


Also in the Series | Junior Power Timer



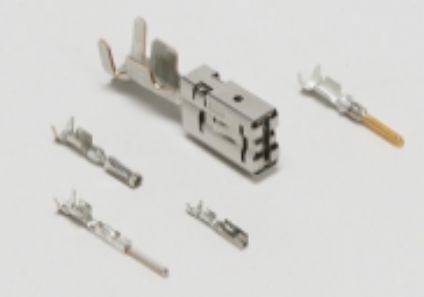
Automotive Connector Caps & Covers (5)




Automotive Housings(251)




Automotive Seals & Cavity Plugs(10)



Automotive Terminals(86)




Busbars & Terminals(1)



Insertion & Extraction Tools(8)



Module Components(6)



Other Automotive Connector Accessories(1)



PCB Headers & Receptacles(1)

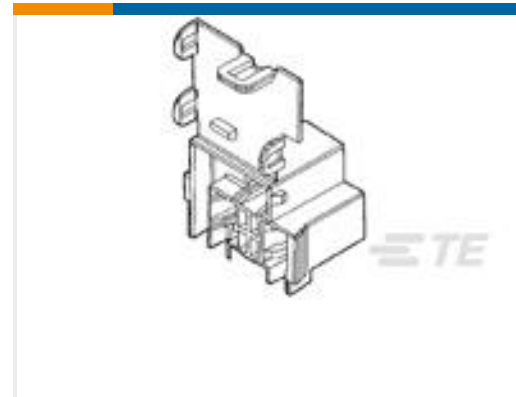
Customers Also Bought



TE Part #2066034-2
2.8MM SLD 2P PLUG ASSEMBLY



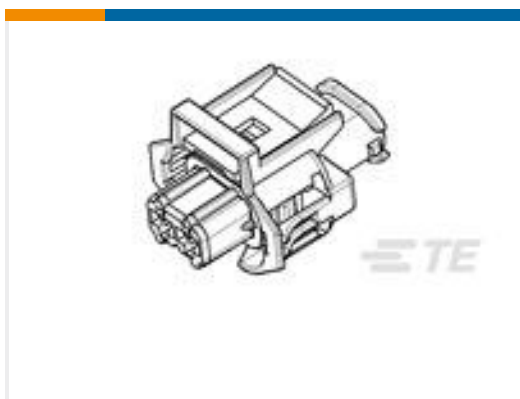
TE Part #2066043-1
12 POS. ECONOSEAL CAP HOUSING
JMARK II+



TE Part #353752-2
HEAD LAMP CONNECTOR .312 (7.92
MM)



TE Part #2289990-1
BLIND PLUG, DIRECT CONNECTOR



TE Part #936060-2
2.8MM SLD 3P PLUG ASSY-TDC



TE Part #2066043-2
12 POS. ECONOSEAL CAP HOUSING
JMARK II+



TE Part #2066064-3
SLOW BLOW FUSE BOX ASSEMBLY



TE Part #2312552-1
COVER, 44P DIRECT CONNECTOR



TE Part #282435-5
RELAY HSG. W. SEC. LOCK. ASSY 9 POS



TE Part #282435-6
RELAY HSG. W. SEC. LOCK. ASSY 9 POS

Documents

Product Drawings

JPT 4P ASSY FOR MAP SENSOR ORA

English

CAD Files

3D PDF

3D

Customer View Model

ENG_CVM_CVM_368162-1_D.2d_dxf.zip



English

Customer View Model

[ENG_CVM_CVM_368162-1_D.3d_igs.zip](#)

English

Customer View Model

[ENG_CVM_CVM_368162-1_D.3d_stp.zip](#)

English

By downloading the CAD file I accept and agree to the [Terms and Conditions](#) of use.

Datasheets & Catalog Pages

Timer Interconnection System

English

Product Specifications

Application Specification

English