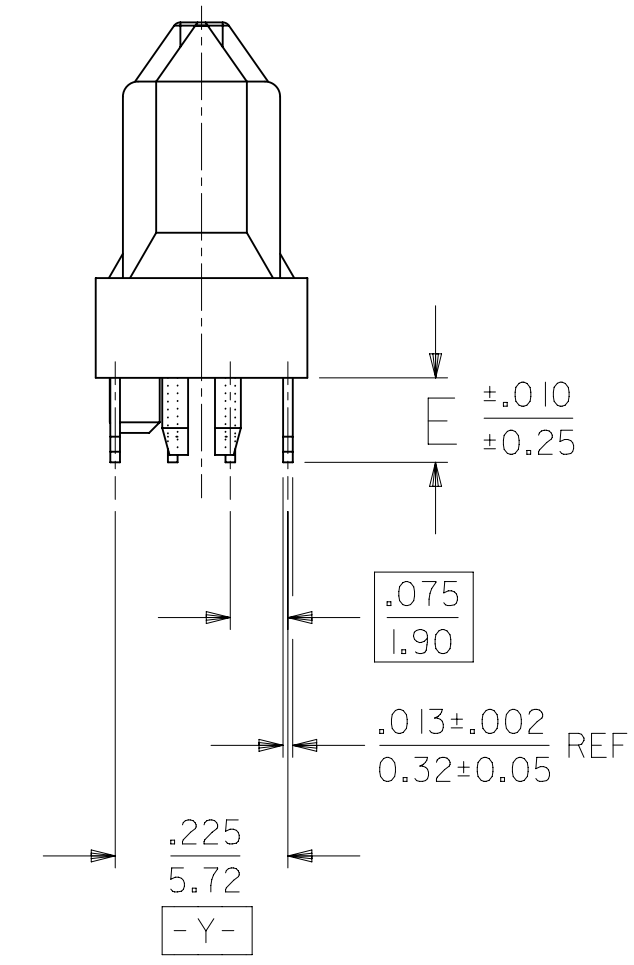
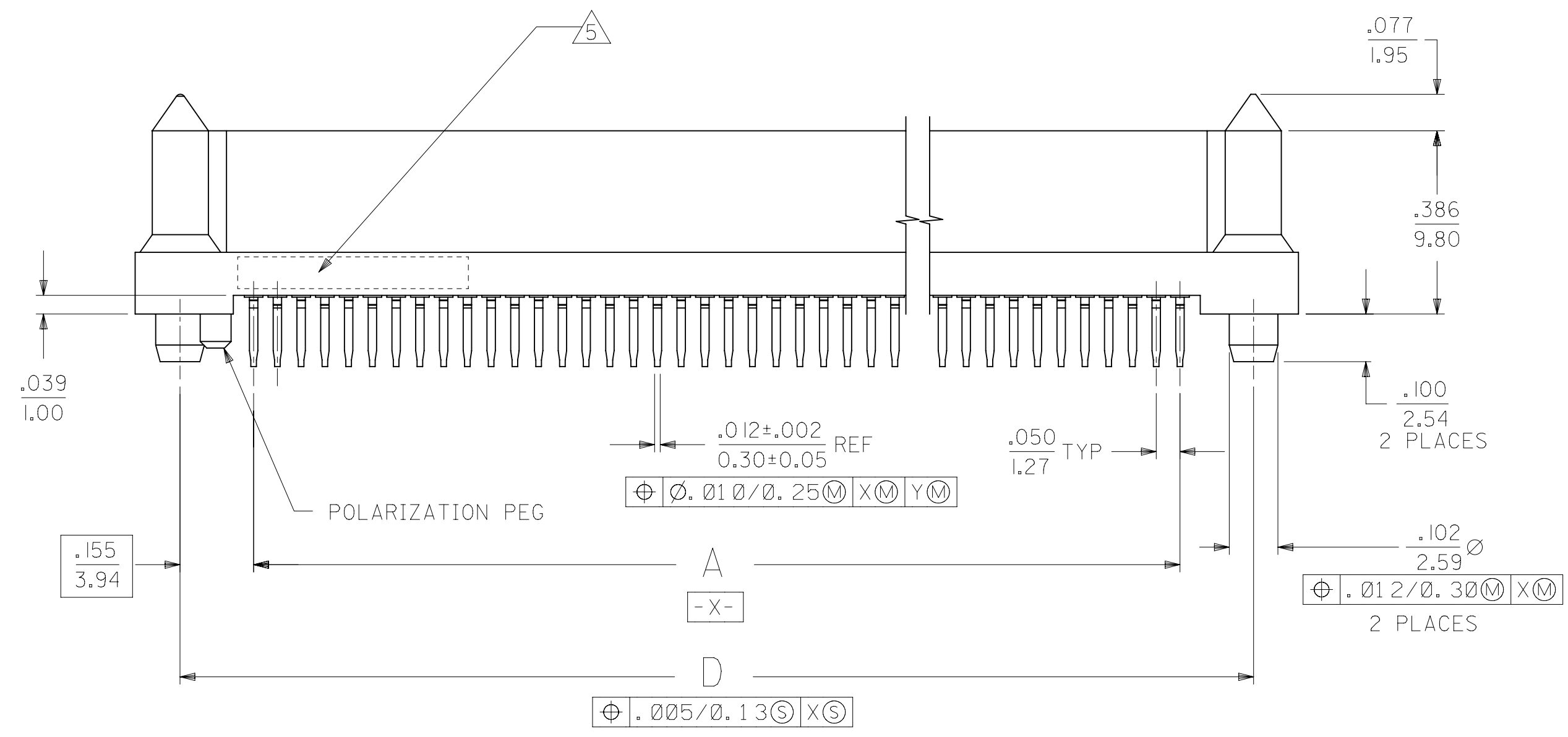


NOTES:

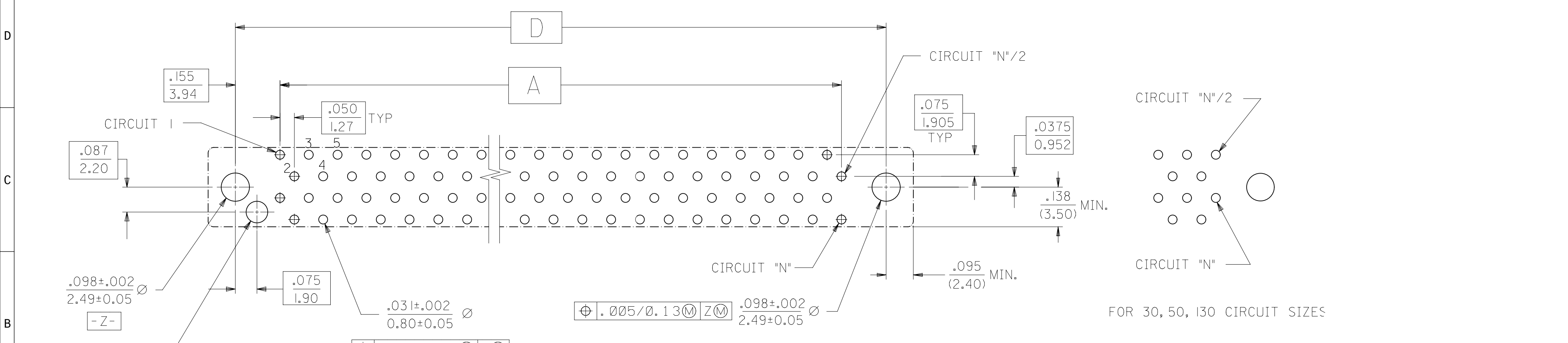
- 1) MATERIALS:
HOUSING- LCP, GLASS FILLED, 94V-0, BLACK.
TERMINALS- COPPER ALLOY
- 2) FINISH:
TERMINALS:
.000030/(0.00076) MINIMUM GOLD IN CONTACT AREA AND
.000050/(0.00127) MINIMUM TIN IN TAIL AREA OVER
.000075/(0.00191) MINIMUM NICKEL UNDERPLATE OVERALL.
- 3) ASSEMBLY MATES WITH MOLEX P/N SDA-71661-7***.
CONFORMS TO PRODUCT SPECIFICATION PS-71660.

- 4) MINIMUM RECOMMENDED SOLDER TAIL LENGTH (E) IS
PCB THICKNESS + 0.020" (0.50MM)
REFER TO IPC-610 FOR MAXIMUM TAIL LENGTH
- 5) FOUR DIGIT DATE CODE TO BE LOCATED ON SURFACE
AS SHOWN.



THIS DRAWING CONTAINS INFORMATION THAT IS PROPRIETARY TO MOLEX ELECTRONIC TECHNOLOGIES, LLC AND SHOULD NOT BE USED WITHOUT WRITTEN PERMISSION												
DIMENSION UNITS		SCALE		CURRENT REV DESC: OBSOLETE PART NO								
IN/MM		NTS										
GENERAL TOLERANCES (UNLESS SPECIFIED)				EC NO: 625872		2019/06/17		EBBI 50D VERTICAL RCPT BLIND MATE CONNECTOR SALES ASSEMBLY				
4 PLACES		±		DRWN: AKUMAR19		2019/11/06						
3 PLACES		± 0.005		CHK'D: GB		2019/11/12		PRODUCT CUSTOMER DRAWING				
2 PLACES		± 0.13		APPR: GGA		2019/11/12						
1 PLACE		±		INITIAL REVISION:				DOCUMENT NUMBER SDA-71660-7XXX				
0 PLACES		±		DRWN: MPOFF		2016/06/22				DOC TYPE	DOC PART	REVISION
ANGULAR TOL		± 0.5°		APPR:				PSD	001	P		
DRAFT WHERE APPLICABLE MUST REMAIN WITHIN DIMENSIONS				THIRD ANGLE PROJECTION		DRAWING		SERIES		MATERIAL NUMBER	CUSTOMER	SHEET NUMBER
						C-SIZE		71660		SEE TABLE	GENERAL MARKET	1 OF 2

ITEM NUMBER	CKT ("N")	A	B	C	D	E
71660-7030	30	.700 (17.78)	.815 (20.70)	1.199 (30.45)	1.010 (25.65)	↑ .110 (2.79) ↓
71660-7040	40	.950 (24.13)	1.065 (27.05)	1.449 (36.80)	1.260 (32.00)	
71660-7050	50	1.200 (30.48)	1.315 (33.40)	1.699 (43.15)	1.510 (38.35)	
71660-7060	60	1.450 (36.83)	1.565 (39.75)	1.949 (49.50)	1.760 (44.70)	
71660-7068	68	1.650 (41.91)	1.765 (44.83)	2.149 (54.58)	1.960 (49.78)	
71660-7080	80	1.950 (49.53)	2.065 (52.45)	2.449 (62.20)	2.260 (57.40)	
71660-7100	100	2.450 (62.23)	2.565 (65.15)	2.949 (74.90)	2.760 (70.10)	
71660-7120	120	2.950 (74.93)	3.065 (77.85)	3.449 (87.60)	3.260 (82.80)	
71660-7130	130	3.200 (81.28)	3.315 (84.20)	3.699 (93.95)	3.510 (89.15)	
71660-7230	30	.700 (17.78)	.815 (20.70)	1.199 (30.45)	1.010 (25.65)	↑ .134 (3.40) ↓
71660-7240	40	.950 (24.13)	1.065 (27.05)	1.449 (36.80)	1.260 (32.00)	
71660-7250	50	1.200 (30.48)	1.315 (33.40)	1.699 (43.15)	1.510 (38.35)	
71660-7268	68	1.650 (41.91)	1.765 (44.83)	2.149 (54.58)	1.960 (49.78)	
71660-7280	80	1.950 (49.53)	2.065 (52.45)	2.449 (62.20)	2.260 (57.40)	
71660-7300	100	2.450 (62.23)	2.565 (65.15)	2.949 (74.90)	2.760 (70.10)	
71660-7320	120	2.950 (74.93)	3.065 (77.85)	3.449 (87.60)	3.260 (82.80)	
71660-7330	130	3.200 (81.28)	3.315 (84.20)	3.699 (93.95)	3.510 (89.15)	
71660-7630	30	.700 (17.78)	.815 (20.70)	1.199 (30.45)	1.010 (25.65)	↑ .155 (3.94) ↓
71660-7640	40	.950 (24.13)	1.065 (27.05)	1.449 (36.80)	1.260 (32.00)	
71660-7650	50	1.200 (30.48)	1.315 (33.40)	1.699 (43.15)	1.510 (38.35)	
71660-7668	68	1.650 (41.91)	1.765 (44.83)	2.149 (54.58)	1.960 (49.78)	
71660-7680	80	1.950 (49.53)	2.065 (52.45)	2.449 (62.20)	2.260 (57.40)	
71660-7700	100	2.450 (62.23)	2.565 (65.15)	2.949 (74.90)	2.760 (70.10)	
71660-7720	120	2.950 (74.93)	3.065 (77.85)	3.449 (87.60)	3.260 (82.80)	
71660-7730	130	3.200 (81.28)	3.315 (84.20)	3.699 (93.95)	3.510 (89.15)	



RECOMMENDED PC BOARD LAYOUT
 COMPONENT SIDE \triangle
 FOR 40, 60, 68, 80, 100, 120 CIRCUIT SIZES

THIS DRAWING CONTAINS INFORMATION THAT IS PROPRIETARY TO MOLEX ELECTRONIC TECHNOLOGIES, LLC AND SHOULD NOT BE USED WITHOUT WRITTEN PERMISSION															
DIMENSION UNITS		SCALE		CURRENT REV DESC: OBSOLETE PART NO											
IN/MM		NTS		EC NO: 625872 DRWN: AKUMAR19 2019/06/17 CHK'D: GB 2019/11/06 APPR: GGA 2019/11/12 INITIAL REVISION: DRWN: MPOFF 2016/06/22 APPR:											
GENERAL TOLERANCES (UNLESS SPECIFIED)															
4 PLACES		±													
3 PLACES		± 0.005													
2 PLACES		± 0.13													
1 PLACE		±		PRODUCT CUSTOMER DRAWING											
0 PLACES		±		DOCUMENT NUMBER				DOC TYPE		DOC PART		REVISION			
ANGULAR TOL ± 0.5°				SDA-71660-7XXX				PSD		001		P			
DRAFT WHERE APPLICABLE MUST REMAIN WITHIN DIMENSIONS				THIRD ANGLE PROJECTION		DRAWING		SERIES		MATERIAL NUMBER		CUSTOMER		SHEET NUMBER	
				C-SIZE		71660		SEE TABLE		GENERAL MARKET		2 OF 2			