

REVISION			
REV	DESCRIPTION	DATE	APPROVED
AA	REVISED PER ECO-13-015271	9/26/13	I. MYONG
AC	REVISED PER ECO-15-008666	6/09/15	I. MYONG

THIS SPECIFICATION COVERS INFORMATION COMMON TO ALL TINEL-LOCK ADAPTERS

DIMENSIONING AND TOLERANCING PER
ASME Y14.5M (ISO STANDARDS)

TXR 54 A B 00 - 12 06 AI

PRODUCT DESIGNATOR: _____
TXR: ADAPTER AND RING
TX: ADAPTER ONLY

CONNECTOR CODE: _____

1

MATERIAL: _____
A: ALUMINUM ALLOY PER QQ-A-225
B: NICKEL ALUMINUM BRONZE PER ASTM B150
S: STAINLESS STEEL PER QQ-S-763

FINISH: (SEE S-CH00-0157-002) _____

CONFIGURATION: _____
00 = STRAIGHT, 45 = 45°, 90 = 90°
4W = 45°, 9W = 90° (SEE SHTS. 11 AND 12 FOR DETAILS)

FOR TXR 18, DASH MAY BE REPLACED BY _____
A LETTER (SEE TABLE III OF SCD)

ORDER NUMBER: (SEE SCD) _____

ENTRY SIZE: (SEE SCD) _____



RING OR BRAID DESIGNATOR: (SEE DWG "TR") _____

NOTES:

- 1 ALTERNATIVE EQUIVALENT MATERIAL SPECIFICATIONS TO THOSE SHOWN MAY BE SUPPLIED AT TYCO ELECTRONICS/RAYCHEM'S DISCRETION.
2. REFER TO SHEET 3 FOR MODIFICATION OPTION FIELD.
3. FOR ALIGNMENT REQUIREMENTS OF ANGLED BACKSHELLS, REFER TO SHEET 10.

© 2015 TE CONNECTIVITY LTD. FAMILY OF COMPANIES. ALL RIGHT RESERVED.

Raychem Adapters
PRODUCTION SPECIFICATION

UNLESS OTHERWISE SPECIFIED DIMENSIONS ARE IN INCHES.		 TE Connectivity	
DECIMALS:	XXX ± .005 XX ± .01 X ± .1		
TYCO ELECTRONICS RESERVES THE RIGHT TO AMEND THIS DRAWING AND THE INFORMATION SET FORTH HEREON AT ANY TIME. USERS SHOULD INDEPENDENTLY EVALUATE THE SUITABILITY OF THE PRODUCT FOR THEIR APPLICATION.		TITLE: GENERAL INFORMATION PACKAGE FOR TINEL-LOCK ADAPTERS	
		DRAWING NO: CH00-0250-008	
DRAWN:	CAD FILE:	CAGE CODE:	RPN:
T. NGUYEN	CH00-0250-008_CD	06090	N/A
SIZE:	SCALE:	THIRD ANGLE PROJ.	SHEET:
A	---		1_OF_12

NOTES:

① PREFIX S DENOTES THAT THE ADAPTER HAS A LARGER ENTRY SIZE THEN THE STANDARD TXR RANGE BUT IS STILL OF THE TYPE I DESIGN.

② REFER TO STXR40 FOR TABLE OF ENTRY SIZES APPLICABLE TO THE STXR RANGE.

① PREFIX _____

PRODUCT DESIGNATOR _____

CONNECTOR CODE: _____

MATERIAL: _____

A: ALUMINUM ALLOY BS1474 6082-T6, BS4300/5 2011 (TD) OR QQ-A-225

B: NICKEL ALUMINUM BRONZE DGS 1043 OR ASTM C 63200

S: STAINLESS STEEL B5970 303521 OR QQ-5-763

FINISH: (SEE S-CH00-0157-002) _____

CONFIGURATION: _____

00 = STRAIGHT, 45 = 45°, 90 = 90°

ORDER NUMBER: (SEE SCD) _____

① ENTRY SIZE: (SEE SCD) _____

BRAID DESIGNATOR: _____

BRAID A: SINGLE LAYER 36 AWG

BRAID B: SINGLE LAYER 30 AWG

DOUBLE LAYER 36 AWG

RING WITH INSULATING LINING _____

S TXR 40 A B 00-20 18 B I

THIS SPECIFICATION COVERS INFORMATION COMMON TO STXR TINEL-LOCK ADAPTERS

Raychem Adapters
PRODUCTION SPECIFICATION



DRAWING NO:

CH00-0250-008

CAD FILE:

CH00-0250-008_CD

CAGE CODE:

06090

RPN:

N/A

SIZE:

A

SCALE:

1:1

THIRD ANGLE PROJ.

SHEET:

2_OF_12

TINEL-LOCK ADAPTER MODIFICATION OPTION FIELD

TXR54MAB00-1206AI2-12 D J L T S H F N

MAULFLEX CABLE MODIFICATION _____
 (SEE SHEET 4) OMIT IF NOT REQUIRED
 ASSEMBLED ADAPTER, RING AND BRAID (SEE SHEET 5) _____

BRAID LENGTH (SEE SHEET 5) _____

D: DRAIN HOLES MODIFICATION (SEE SHEET 8) _____

J: CHAIN ATTACHMENT ASSEMBLY (SEE SHEET 8) _____

L: LOCK WIRE HOLES MANUFACTURER'S OPTION
INCLUDE MOD IF REQUIRED (SEE SHEET 9) _____

T: SOLID ADAPTER MODIFICATION (SEE SHEET 9) _____

S: SELF-LOCKING SPIN NUT _____
AVAILABLE ON CODES 30, 40, 41, 54 AND 61
TYPE I ADAPTERS ONLY

H: HELICAL CONDUIT THREAD (SEE SHEETS 6 AND 7] _____

F: INTERNAL ABRASION RESISTANT COATING _____

OPTIONAL O-RING MATERIAL: _____
 OMIT FOR STANDARD SILICONE (ZZ-R-765, GRADE 70: S59)
 C: NEOPRENE PER AMS3209
 U: FLUROSILICONE PER MIL-R-25988, CLASS 1
 N: NITRILE (BUNA N) PER AMS3215
 V: FLUOROCARBON PER MIL-R-83248, CLASS 1

PNT TINEL-LOCK ADAPTER ORDERING INFORMATION

PNT 54 AB00-1208AI

PRODUCT DESIGNATOR: _____
 PNT: ADAPTER AND RING
 PNX: ADAPTER ONLY

CONNECTOR CODE: _____

REMAINDER OF CODES AS PER SHEET 1 _____

Raychem Adapters
 PRODUCTION SPECIFICATION



DRAWING NO:

CH00-0250-008

CAD FILE:

CH00-0250-008_CD

CAGE CODE:

06090

RPN:

N/A

SIZE:

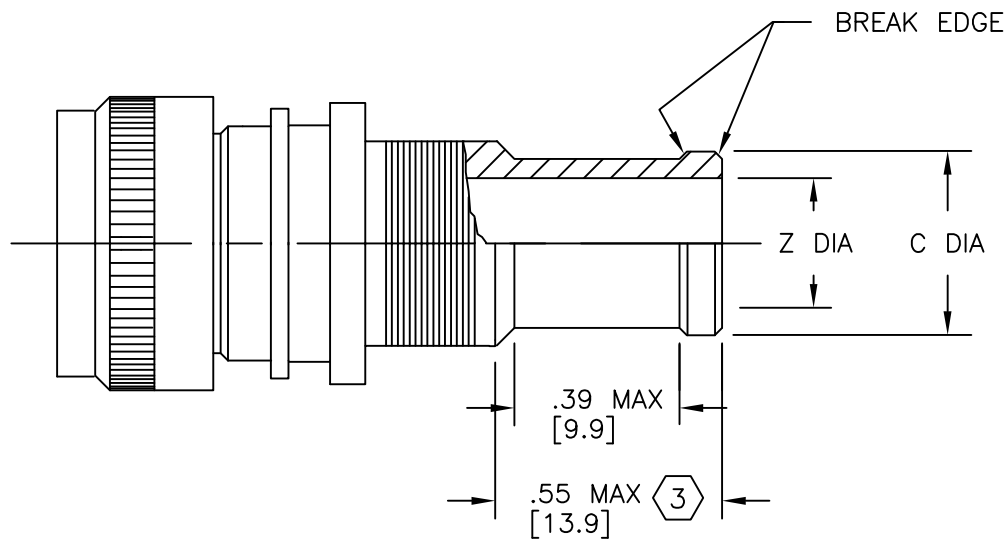
A

SCALE:

THIRD ANGLE PROJ.

SHEET:

3_OF_12

FIGURE 1: MAULFLEX CABLE MODIFICATION ("M" MOD) 1

ENTRY SIZE 2	Z +.010 [0.25] -.020 [0.51]	C MAX	MAULFLEX	
			SIZE NO.	CONVOLEX SIZE
04	.125 [3.18]	.27 [6.86]	1	3/8"
06	.250 [6.35]	.40 [10.2]	2	7/16"
08	.375 [9.53]	.52 [13.2]	3	1/2"
10	.500 [12.70]	.65 [16.5]	4	5/8"
12	.625 [15.88]	.77 [19.6]	5,6	3/4", 7/8"
14	.750 [19.05]	.90 [22.9]	6	7/8"
16	.875 [22.23]	1.02 [25.9]	6,7,8	7/8", 1", 1-1/4"
18	1.000 [25.40]	1.15 [29.2]	8	1-1/4"
20	1.125 [28.58]	1.27 [32.3]	8	1-1/4"
22	1.250 [31.75]	1.40 [35.6]	9	1-5/8"
24	1.375 [34.93]	1.52 [38.6]	9	1-5/8"

NOTES:

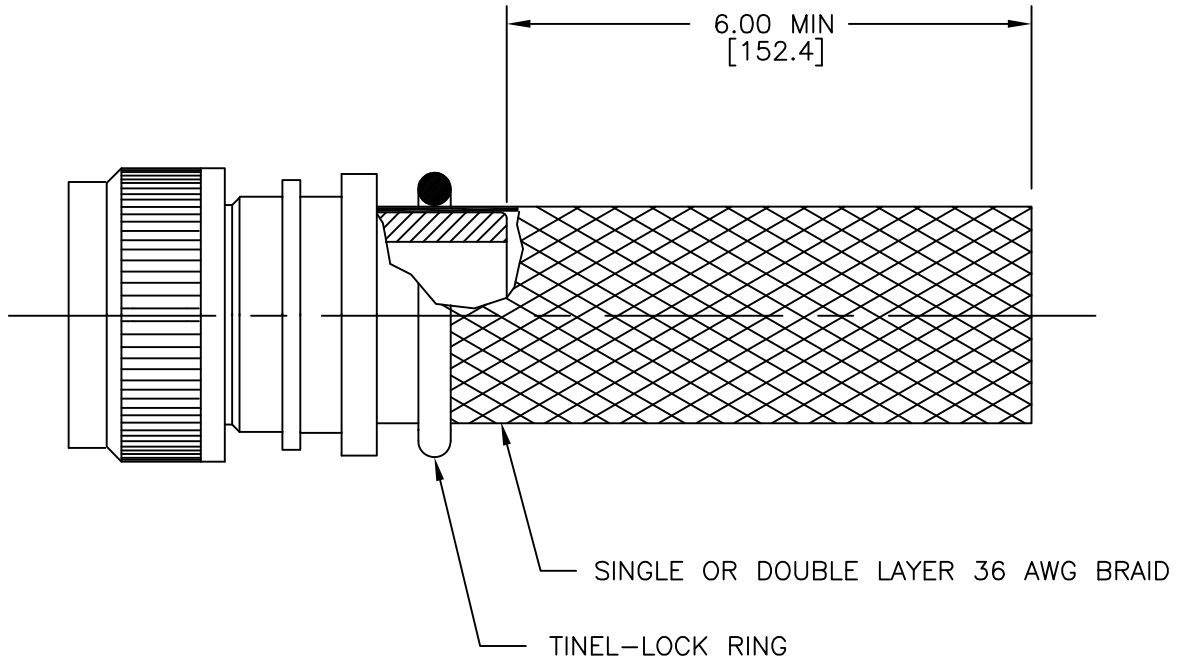
- 1 ALSO AVAILABLE IN 45° AND 90° CONFIGURATIONS.
- 2 "Z" REPRESENTS 1/8 INCH SMALLER ENTRY WHEN THIS OPTION IS USED.
- 3 THIS LENGTH IS IN ADDITION TO LENGTH DIMENSIONS OF STANDARD PART SHOWN ON SCD.

Raychem Adapters
PRODUCTION SPECIFICATION

DRAWING NO:

CH00-0250-008

FIGURE 2: ASSEMBLED ADAPTER



TXR54AB00-1408A 2-12

RING IDENTIFIER (REFER TO DRAWING "TR")

BRAID TYPE:

- 2: TINNED COPPER
- 3: NICKEL COPPER

BRAID LENGTH:

AVAILABLE IN 6", 12", 18"
(OMIT FOR STANDARD 6" LENGTH)

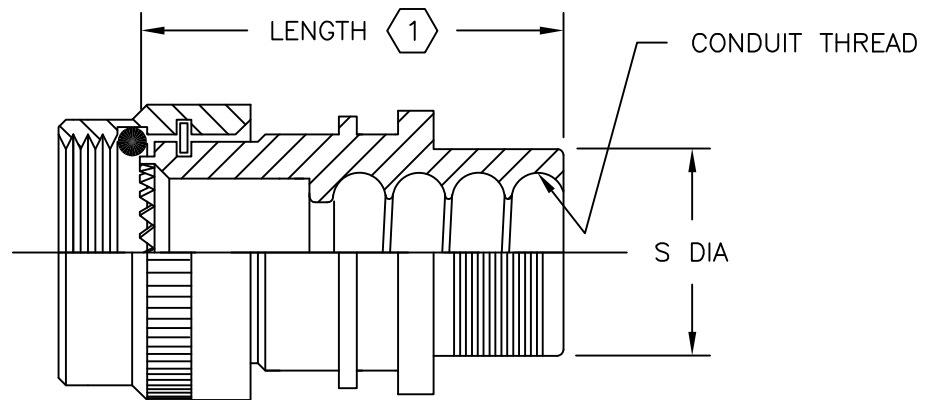
Raychem Adapters
PRODUCTION SPECIFICATION



DRAWING NO:

CH00-0250-008

FIGURE 3A: CONDUIT MODIFICATION ("H" MOD)



ENTRY ORDER NUMBER	CONDUIT SIZE	TINEL RING SIZE 3	L ADDER REF	S DIA
05	0187	TR05XI	--	.438-.433 [11,13-11,00]
06	0281	TR06XI	--	.501-.496 [12,73-12,60]
07	0312	TR07XI	--	.563-.556 [14,31-14,12]
08	0375	TR08XI	--	.626-.619 [15,91-15,72]
09	0437	TR10XI	--	.752-.742 [19,11-18,84]
10	0500	TR10XI	.031 [0.79]	.752-.742 [19,11-18,84]
12	0625	TR12XI	.031 [0.79]	.877-.867 [22,28-22,02]
16	0750	TR16XI	.125 [3.18]	1.127-1.116 [28,63-28,34]
18	0875	TR18XI	.250 [6.35]	1.252-1.241 [31,81-31,52]
20	1000	TR20XI	.250 [6.35]	1.377-1.366 [34,98-34,69]
24	1250	TR24XI	.500 [12.70]	1.627-1.613 [41,33-40,97]
28	1500	TR28BI	.500 [12.70]	1.877-1.863 [47,68-47,32]
30	1625	N/A	.500 [12.70]	2.002-1.988 [50,85-50,50]

NOTES:

- 1 LENGTH (MAX) = L ADDER + MAX LENGTH SHOWN ON SCD.
FOR ANGULAR ADAPTERS, ADD "L" ADDER TO BACK END TANGENT DIMENSION.
2. THE "Z" DIAMETER [ENTRY SIZE] SHOWN ON THE SCD IS NOT APPLICABLE WHEN THIS MODIFICATION IS SPECIFIED. SEE SHEET 7 FOR FURTHER DETAILS.
- 3 REPLACE "X" WITH AN APPROPRIATE RING TYPE, I.E. A, B OR C. REFER TO "TR" DRAWING.

Raychem Adapters
PRODUCTION SPECIFICATION


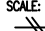

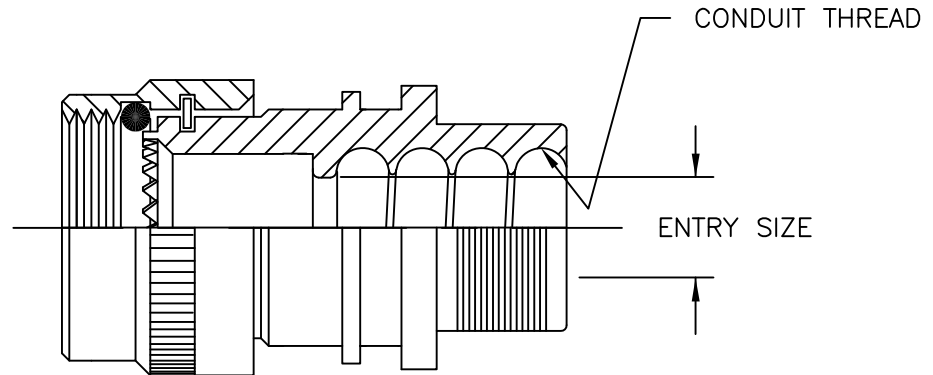
 TE Connectivity		DRAWING NO: CH00-0250-008			
CAD FILE: CH00-0250-008_CD	CAGE CODE: 06090	RPN: N/A	SIZE: A	SCALE: 	THIRD ANGLE PROJ. 
					SHEET: 6_OF_12

FIGURE 3A: CONDUIT MODIFICATION ("H" MOD)



ADAPTER ENTRY SIZE	CONDUIT ENTRY SIZE MAX	TINEL RING SIZE
04	06	TR06XI
05	07	TR07XI
06	08	TR08XI
07	09	TR09XI
08	10	TR10XI
10	12	TR12XI
12	16	TR16XI
14	18	TR18XI
16	20	TR20XI
18	20	TR20XI
20	24	TR24XI
22	24	TR24XI
24	30	N/A
28	30	N/A

NOTES:

- 1 WHEN THE "H" MODIFICATION IS ORDERED THE MAXIMUM ENTRY SIZE IS INCREASED FROM THAT SHOWN ON THE RELEVANT ADAPTER SCD TO THOSE SHOWN IN THE TABLE.

Raychem Adapters
PRODUCTION SPECIFICATION


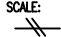

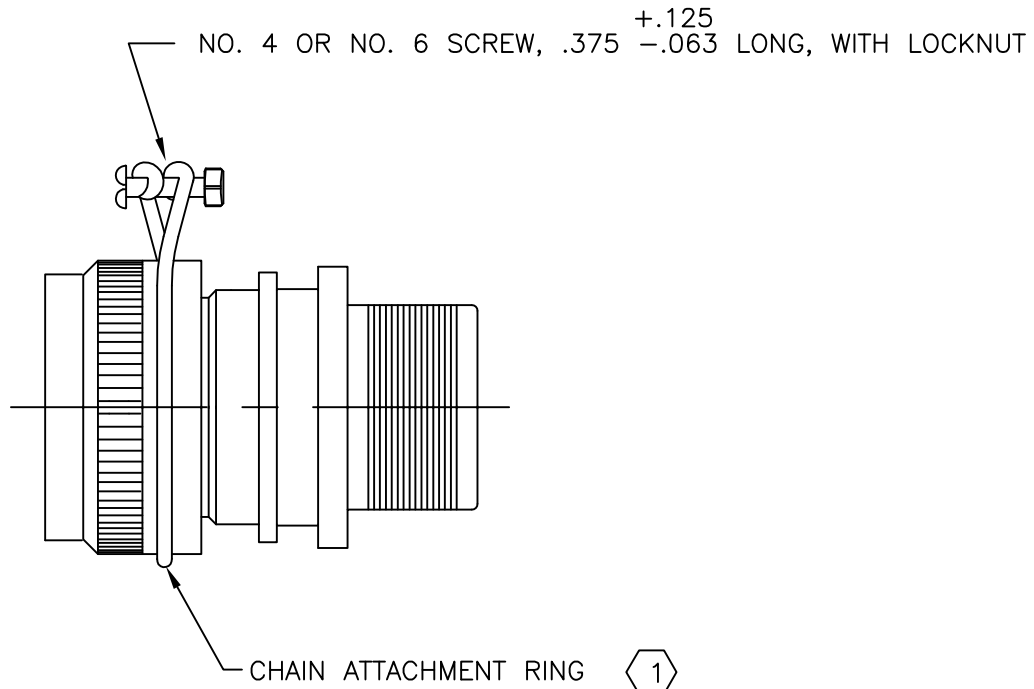
 TE Connectivity		DRAWING NO: CH00-0250-008				
CAD FILE: CH00-0250-008_CD	CAGE CODE: 06090	RPN: N/A	SIZE: A	SCALE: 	THIRD ANGLE PROJ. 	SHEET: 7_OF_12

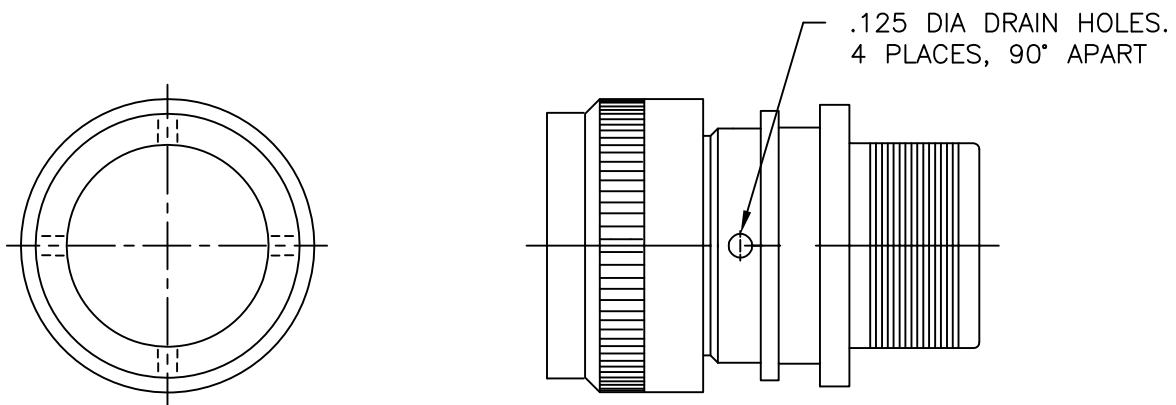
FIGURE 4: CHAIN ATTACHMENT ASSEMBLY ("J" MOD)



NOTES:

- ① MATERIAL: STAINLESS STEEL
RING SHOULD BE SECURELY CAPTIVATED ON COUPLING NUT.
- 2. CHAIN ATTACHMENT SUPPLIED ASSEMBLED TO ADAPTER.

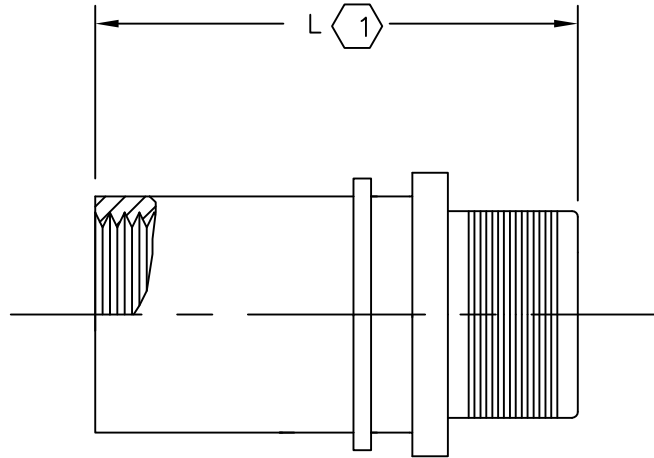
FIGURE 5: DRAIN HOLES MODIFICATION ("D" MOD)



Raychem Adapters
PRODUCTION SPECIFICATION

		DRAWING NO:		CH00-0250-008			
CAD FILE:	CAGE CODE:	RPN:	SIZE:	SCALE:	THIRD ANGLE PROJ.	SHEET:	
CH00-0250-008_CD	06090	N/A	A			8_OF_12	

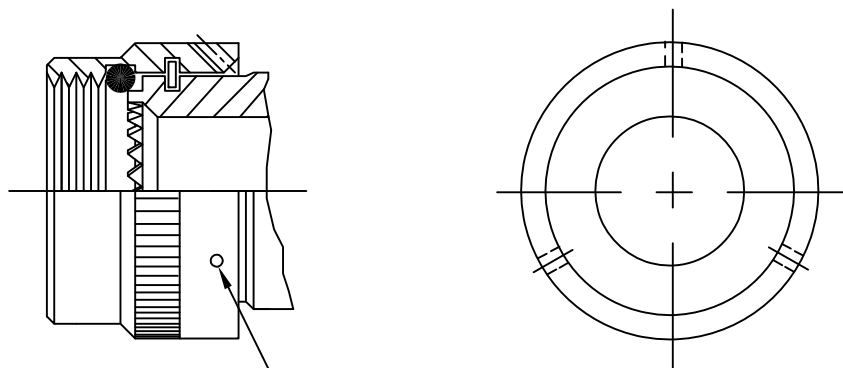
FIGURE 7: SOLID TINEL-LOCK ADAPTER ("T" MOD)



NOTES:

- 1 L MAX = MAX LENGTH SHOWN ON SCD +.094 INCHES.
- 2. "T" MOD IS ONLY AVAILABLE FOR STRAIGHT CONFIGURATION, TYPE I ADAPTERS.

FIGURE 8: LOCK WIRE HOLES ("L" MOD) – OPTIONAL



.046±.010 DIA.
 LOCK WIRE HOLES
 3 AT 120°±5° APART

Raychem Adapters
 PRODUCTION SPECIFICATION

If this document is printed it becomes uncontrolled. Check for the latest revision

		DRAWING NO:		CH00-0250-008			
CAD FILE:	CAGE CODE:	RPN:	SIZE:	SCALE:	THIRD ANGLE PROJ.	SHEET:	
CH00-0250-008_CD	06090	N/A	A	1:1	AS SHOWN	9_OF_12	

FIGURE 9

APPLIES TO CODES
40, 41, 47, 54, 58, 64,
66, 75, 76, 78 AND 79

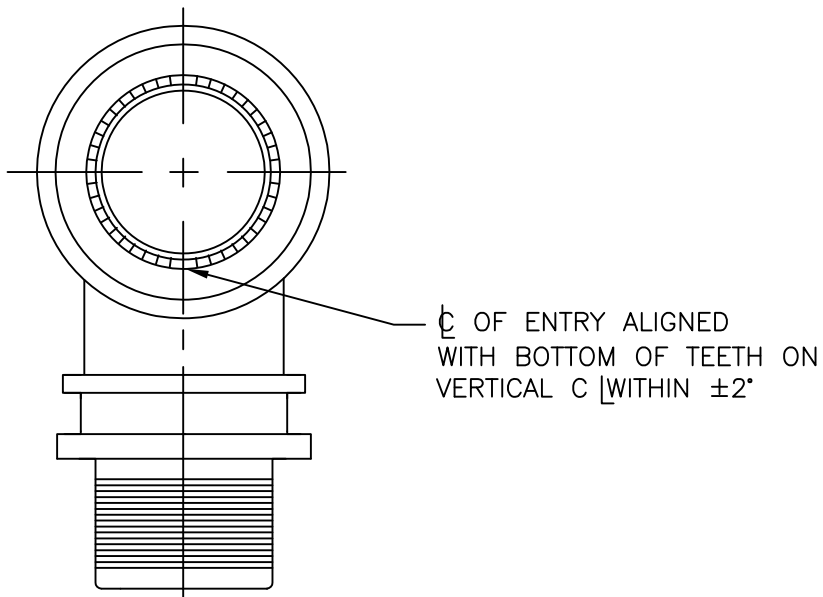
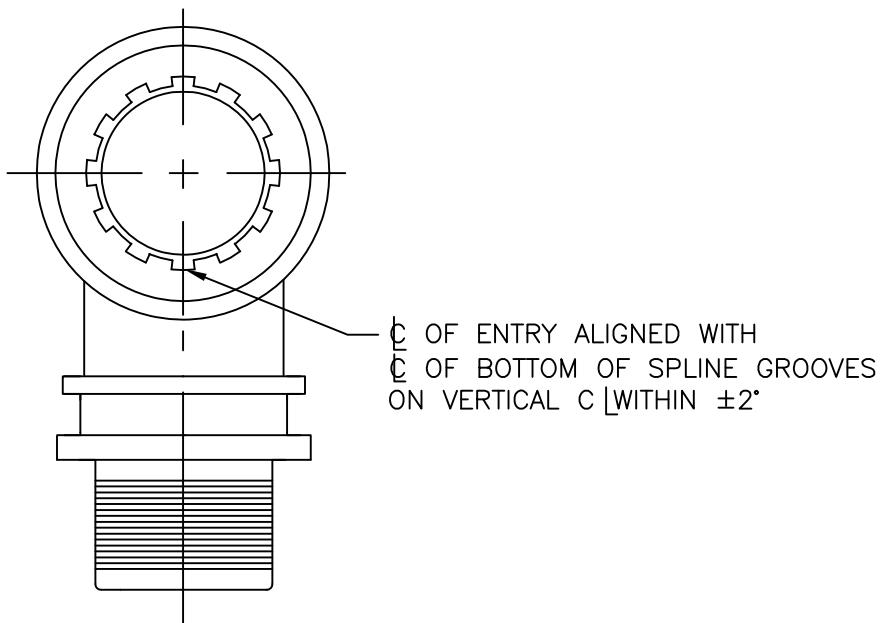


FIGURE 10

APPLIES TO CODES
30 AND 61



NOTES:

1. 90° CONFIGURATION DEPICTED. THIS REQUIREMENT WILL APPLY TO ANY ANGULAR CONFIGURATION.

Raychem Adapters
PRODUCTION SPECIFICATION

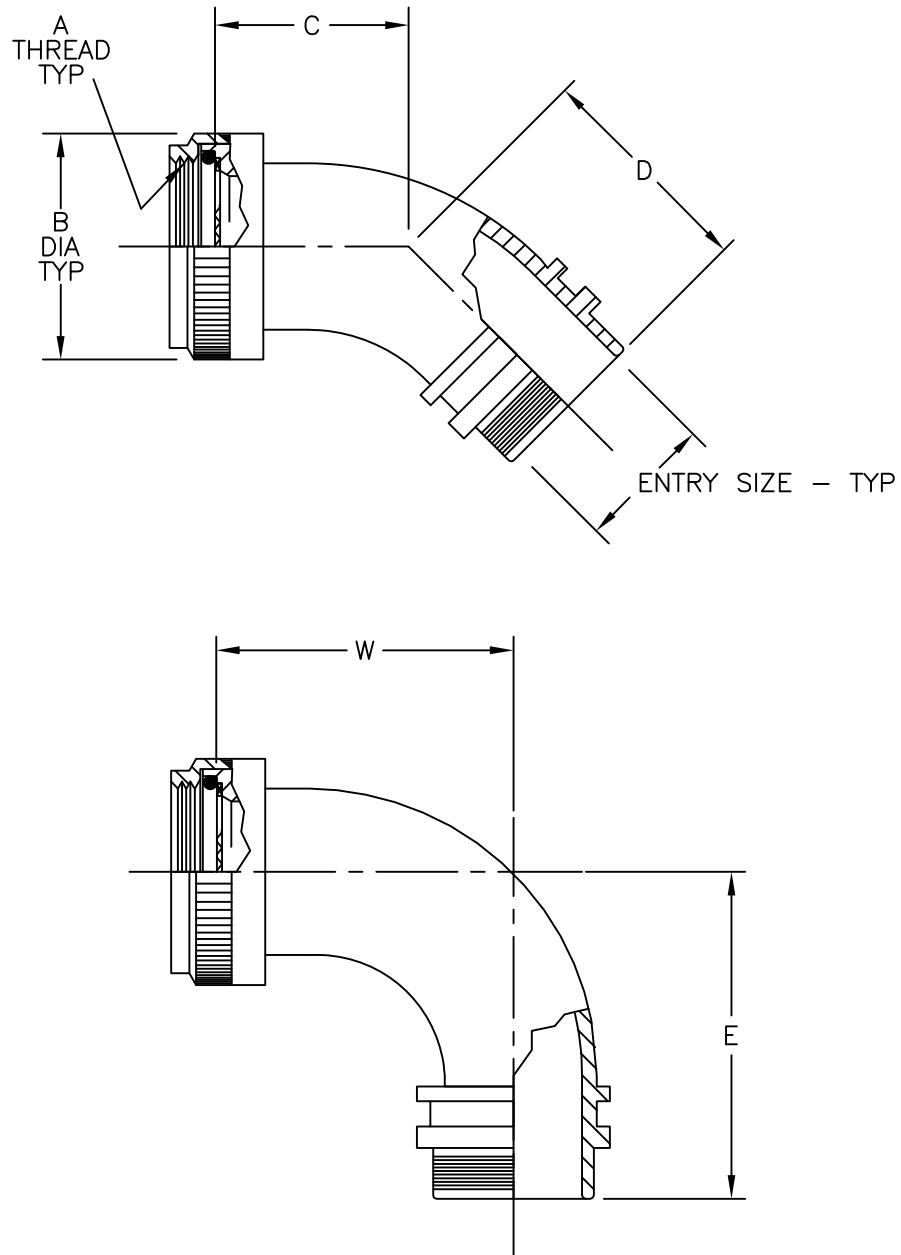


DRAWING NO: CH00-0250-008

If this document is printed it becomes uncontrolled. Check for the latest revision

CAD FILE: CH00-0250-008_CD	CAGE CODE: 06090	RPN: N/A	SIZE: A	SCALE: 1:1	THIRD ANGLE PROJ. ⊕	SHEET: 10_OF_12
-------------------------------	---------------------	-------------	------------	---------------	------------------------	--------------------

FIGURE 11: 4W (45°) AND 9W (90°) ANGULAR OPTION



NOTES:

1. FOR DIAMETERS A THREAD, B AND ENTRY SIZE REFER TO BASIC ADAPTER SCD.
2. FOR DIMENSIONS C, D, W AND E REFER TO SHEET 12.
3. THIS STYLE OF ADAPTER IS FOR TYPE I ASSEMBLIES ONLY. CONTACT TE CONNECTIVITY FOR FURTHER INFORMATION.

Raychem Adapters
PRODUCTION SPECIFICATION


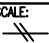

 TE Connectivity		DRAWING NO: CH00-0250-008			
CAD FILE: CH00-0250-008_CD	CAGE CODE: 06090	RPN: N/A	SIZE: A	SCALE: 	THIRD ANGLE PROJ. 
					SHEET: 11_OF_12

TABLE OF DIMENSIONS – 4W (45°) AND 9W (90°) ANGULAR OPTION


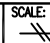

DIMENSIONS BY CONNECTOR CODE NUMBER AND RELATIVE ORDER NUMBER

		CONNECTOR CODE NUMBER										DIMENSIONS				
		18	21	30	32	40	41	47	51	54	61	76	C MAX	D MAX	W MAX	E MAX
ORDER NUMBER	08	08			08	08	08	08	08	08	08	0.937 [23.80]	1.220 [31.00]	1.250 [31.75]	1.530 [38.86]	
	10															
	11	10			10	10	10	10	03	10	10	1.000 [25.40]	1.280 [32.50]	1.375 [34.93]	1.655 [42.04]	
									10							
	12	12	10	12	12	12	12	12			12	1.063 [27.00]	1.350 [34.30]	1.500 [38.10]	1.780 [45.21]	
	14															
	16	14	12	14	14	14	14	14	14	14	14	1.125 [28.58]	1.410 [35.80]	1.625 [41.28]	1.905 [48.39]	
	18	16	14	16	16	16	16	16	16	16	16	1.187 [30.16]	1.470 [37.34]	1.750 [44.45]	2.030 [51.56]	
	20	18	16	18	18	18	18	18	18	18	18	1.218 [30.94]	1.500 [38.10]	1.875 [47.63]	2.155 [54.74]	
	22	20	18	20	20	20	20	20	20	20	20	1.281 [32.54]	1.540 [39.12]	2.000 [50.80]	2.280 [57.91]	
	24	22		22	22	22	22	22	22	22	22	1.312 [33.32]	1.600 [40.64]	2.125 [53.98]	2.405 [61.09]	
		24	22		24	24	24	24	24	24	24	1.375 [34.93]	1.660 [42.16]	2.250 [57.15]	2.530 [64.26]	
			24						61							
	28			24					28			1.468 [37.29]	1.720 [43.70]	2.500 [63.50]	2.780 [70.61]	
	32		28	28					32			1.562 [39.67]	1.850 [47.00]	2.750 [69.85]	3.030 [76.96]	
36		32	32					36			1.687 [42.85]	1.970 [50.00]	3.000 [76.20]	3.280 [83.31]		
40			36					40			1.812 [46.02]	2.100 [53.34]	3.250 [82.55]	3.530 [89.66]		

NOTES:

1 FOR INFORMATION ON CODES NOT SHOWN, CONTACT TE CONNECTIVITY.

Raychem Adapters
PRODUCTION SPECIFICATION

 TE Connectivity		DRAWING NO: CH00-0250-008			
CAD FILE: CH00-0250-008_CD	CAGE CODE: 06090	RPN: N/A	SIZE: A	SCALE: 	THIRD ANGLE PROJ. 
					SHEET: 12_OF_12