



- Operating Temperature: -40°C +125°C
- MSL: 1
- Peak Reflow Temperature: 245°C

Electrical Specification @ 25°C

Part Number	Insertion Loss (dB MAX)		Return Loss (Z out = 100OHM +/-15%) (dB MIN)		Crosstalk (dB MIN)		Common Mode Rejection Ratio (dB MIN)		HI-POT (Vrms MIN)
	0.1-100KHz	1-125MHz	1-40 MHz	40-100MHz	1 MHz	10-100 MHz	2 MHz	30-200 MHz	
1000B-5020FNL	-1.2	-0.2-0.002*f <sup>1.4</sup>	-16	-10+20* LOG <sub>10</sub> (f/80MHz)	-50	-55+22* LOG <sub>10</sub> (f/10)	2	-15+20*LOG <sub>10</sub> (f/200)	1500
1000B-5020XFNL	-1.2	-0.2-0.002*f <sup>1.4</sup>	-16	-10+20* LOG <sub>10</sub> (f/80MHz)	-50	-55+22* LOG <sub>10</sub> (f/10)	2	-15+20*LOG <sub>10</sub> (f/200)	1500

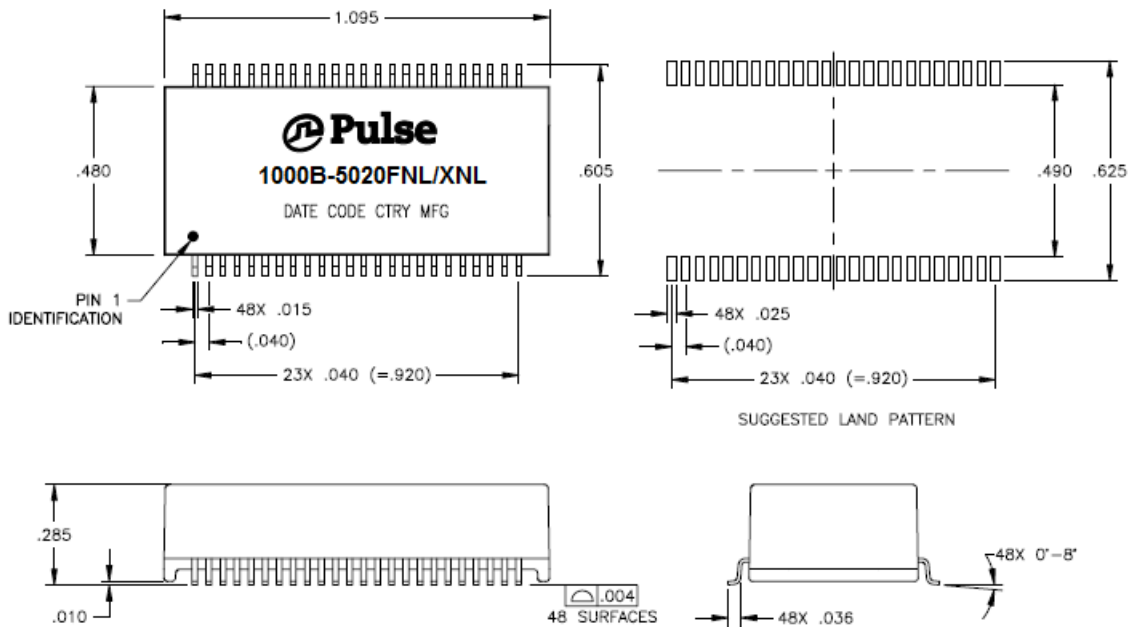
Operating temperature for 1000B-5020F: -40°C to +85°C

Operating temperature for 1000B-5020FX: -55°C to +125°C

- Notes:
1. For Tape & Reel Packaging, add "T" suffix at the end of the part number; i.e. 1000B-5020XFNL
  2. NL has a Lead Finish of Sn100
  3. f is Frequency

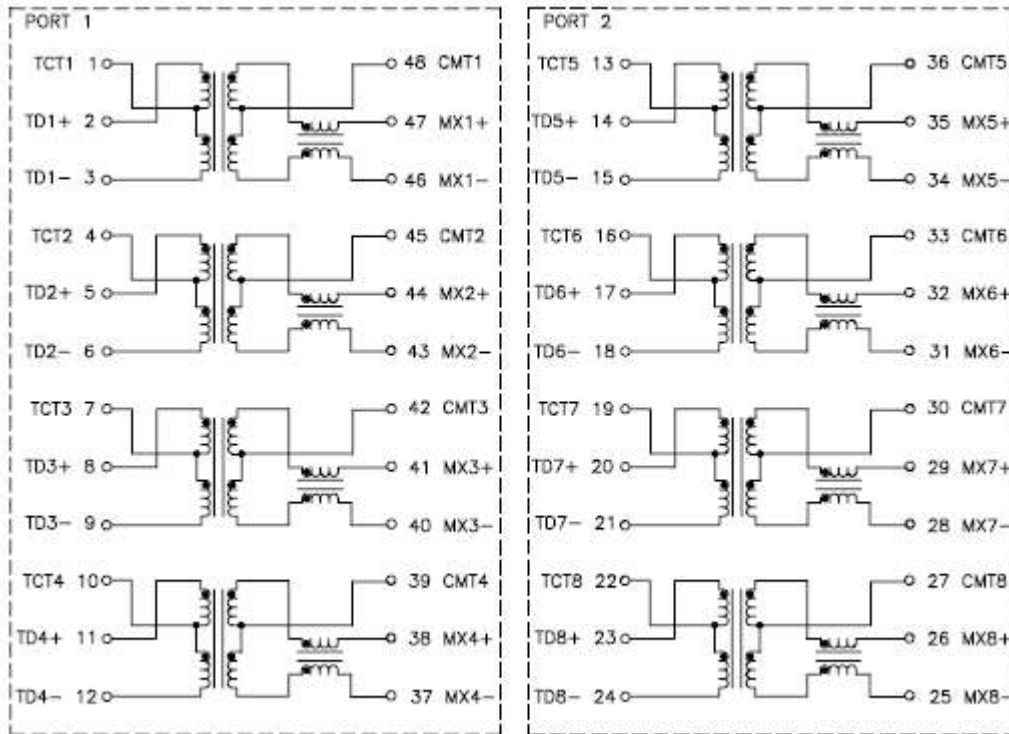
Mechanical

1000B-5020FNL/XNL



Schematic

1000B-5020FNL/XNL



For More Information

**Pulse North America Headquarters**  
Two Pearl Buck Court  
Bristol, PA 19007  
U.S.A.

**Pulse Europe**  
Einsteinstrasse 1  
D-71083  
Herrenberg  
Germany

**Pulse China Headquarters**  
B402, Shenzhen  
Academy of  
Aerospace  
Technology Bldg.  
10th Kejinan Road  
High-Tech Zone  
Nanshan District  
Shenzhen, PR China  
518057

**Pulse North China**  
Room 2704/2705  
Super Ocean  
Finance Ctr. 2067  
Yan An Road West  
Shanghai 200336  
China

**Pulse South China**  
135 Joo Seng Road  
#03-02  
PM Industrial Bldg  
Singapore 368363

**Pulse North Asia**  
3F, No 198  
Zhongyuan Road  
Zhongli City  
Tayuan County 320  
Taiwan R.O.C  
Tel: 886 3 4356768

Tel: 215 781 6400  
Fax: 215 781 6403

Tel: 49 7032 7806 0  
Fax: 49 7032 7806  
135

Tel: 86 755  
33966678  
Fax: 86 755  
33966700

Tel: 86 21 62787060  
Fax: 86 2162786973

Tel: 65 6287 8998  
Fax: 65 6287 8998

Fax: 886 3 4356823  
(Pulse)  
Fax: 886 3 4356820  
(FRE)

Performance warranty of products offered on this data sheet is limited to the parameters specified. Data is subject to change without notice. Other brand and product names mentioned herein may be trademarks or registered trademarks of their respective owners. © Copyright, 2012. Pulse Electronics, Inc. All rights reserved.