

F

E

D

C

B

A

F

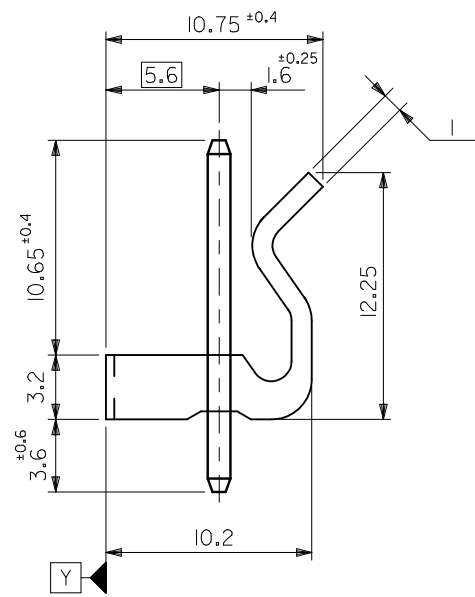
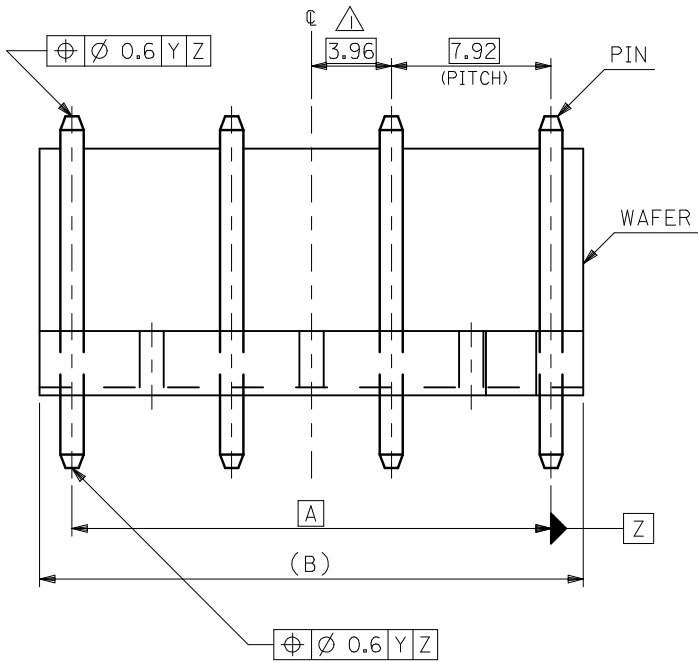
E

D

C

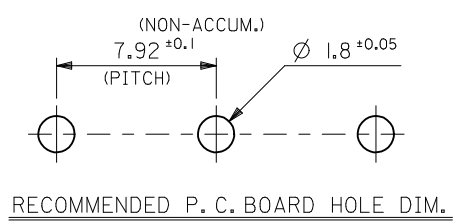
B

A



**NOTES**

- △ TO BE APPLIED ONLY WHEN ALL CKTS. ARE EVEN.
- 2. MATERIAL  
 WAFER : 66NYLON, UL94V-2  
 PIN : BRASS(□I.14), TIN OVER COPPER PLATING.
- 3. LEGEND  
 5096 - N C - \*\*  
 BASE NUMBER \_\_\_\_\_  
 CIRCUIT SIZE \_\_\_\_\_  
 ASS'Y TYPE CODE \_\_\_\_\_  
 DYED COLOR CODE \_\_\_\_\_  
 RE : RED



26.96	23.76	39-31-8044	5096-04C-RE	4
11.12	7.92	39-31-8024	5096-02C-RE	2
DIM. B	DIM. A	EDP NO.	MATERIAL NO.	NO. OF CKTS.
		5096-NC-RE		

REVISED EC NO: J2009-0320 DRWN: MAKURAA 2008/08/26 CHKD: T. HARUYAMA 2008/08/26 APPR: NUKITA 2008/12/09	GENERAL TOLERANCES (UNLESS SPECIFIED)		DIMENSION STYLE <b>MM ONLY</b>	SCALE <b>4:1</b>	DESIGN UNITS <b>METRIC</b>	THIRD ANGLE PROJECTION
	10 UNDER	± 0.2	DRAWN BY H. HIRAMOTO	DATE '91/12/3	TITLE <b>KK7.92 WAFER ASSY WITH LOCK (DYED COLOR)</b>	
	10 OVER 30 UNDER	± 0.25	CHECKED BY M. FUKUSHIMA	DATE '91/12/5	APPROVED BY M. ENOMOTO	
	30 OVER	± 0.3	DATE '91/12/5	MATERIAL NO.		DOCUMENT NO.
ANGULAR ± 3 °		DRAFT WHERE APPLICABLE MUST REMAIN WITHIN DIMENSIONS		SEE TABLE		MOLEX INCORPORATED
				SD-5096-002		SHEET NO. 1 OF 1
THIS DRAWING CONTAINS INFORMATION THAT IS PROPRIETARY TO MOLEX INCORPORATED AND SHOULD NOT BE USED WITHOUT WRITTEN PERMISSION						