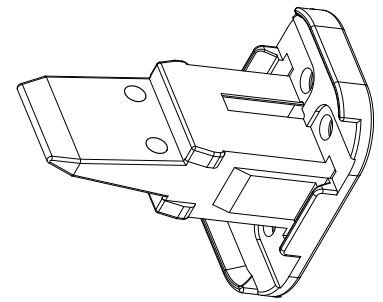
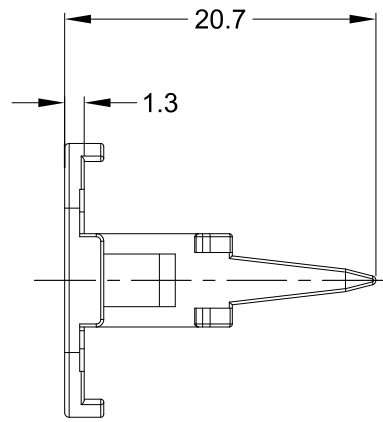
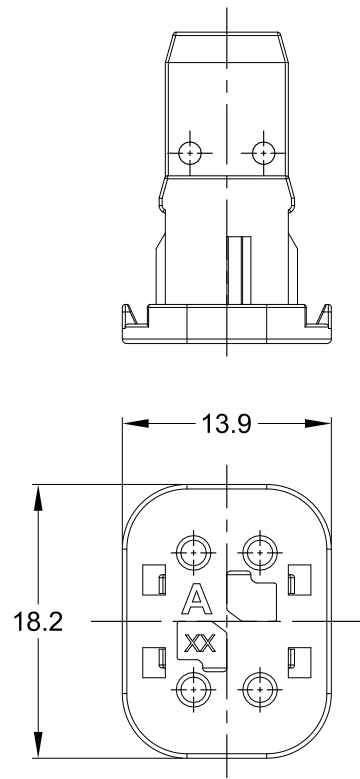


REVISIONS					
REV	ECO	DESCRIPTION	DATE	BY	APPR
A1	-	RELEASE NUMBER	11/JUL/22	RONALD	TOMMY



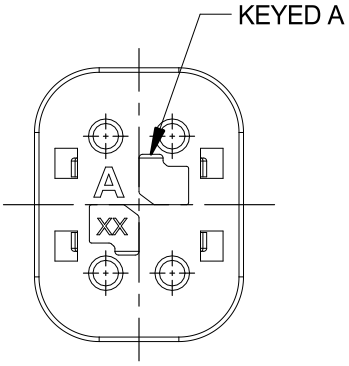
NOTES: UNLESS OTHERWISE SPECIFIED

1. MATERIAL: THERMOPLASTIC; COLOR: SEE SHEET 2
2. RoHS COMPLIANT
3. CAVITIES: 4
4. KEYED: SEE SHEET 2
5. USE WITH CONNECTORS AT06-4S*
(* = MODIFICATIONS AND/OR COLORS)
6. ALL DIMENSIONS ARE FOR REFERENCE USE ONLY.

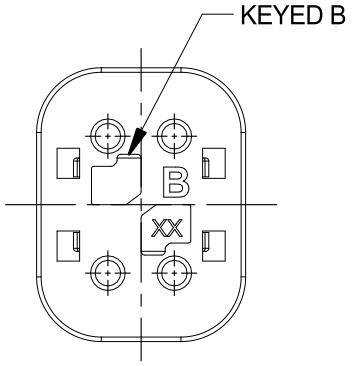
AW4S-x		REF: W4SA-P012, W4SB-P012, W4SC-P012, W4SD-P012											
QUANTITY	PART NUMBER	DESCRIPTION	ITEM										
MATERIALS LIST													
UNLESS OTHERWISE SPECIFIED 1) All dimensions are in metric(mm). 2) Tolerances are as follows: 1 PL DEC ±0.30 Fractions ±1/64 2 PL DEC ±0.15 Angles ±1° 3 PL DEC ±0.08 3) Note reference =		<table border="1"> <thead> <tr> <th>SIGNATURES</th> <th>DATE</th> </tr> </thead> <tbody> <tr> <td>DRAWN: RONALD</td> <td>11/JUL/22</td> </tr> <tr> <td>CHECKED: ORION</td> <td>12/JUL/22</td> </tr> <tr> <td>ENGINEER:</td> <td></td> </tr> <tr> <td>APPROVAL: TOMMY</td> <td>13/JUL/22</td> </tr> </tbody> </table>		SIGNATURES	DATE	DRAWN: RONALD	11/JUL/22	CHECKED: ORION	12/JUL/22	ENGINEER:		APPROVAL: TOMMY	13/JUL/22
SIGNATURES	DATE												
DRAWN: RONALD	11/JUL/22												
CHECKED: ORION	12/JUL/22												
ENGINEER:													
APPROVAL: TOMMY	13/JUL/22												
MATERIAL SPECIFICATIONS: WEIGHT: 1.14g		CUSTOMER: Amphenol Sine Systems - www.amphenol-sine.com 44724 Morley Drive Clinton Township, MI 48036											
PROCESS SPECIFICATIONS:		THIS DRAWING IS SUPPLIED FOR INFORMATION ONLY. DESIGN FEATURES, SPECIFICATIONS AND PERFORMANCE DATA SHOWN HEREON ARE THE PROPERTY OF THE AMPHENOL CORPORATION. NO RIGHTS OF REPRODUCTION ARE IMPLIED. ALL DIMENSIONS ARE SUBJECT TO NORMAL MANUFACTURING VARIATIONS.											
NEXT ASSY:		SIZE: B C- SCALE: NONE	DWG NO: AW4S-x REVISION: A1										
		SHEET 1 OF 2											

TITLE: S-WEDGELOCK, 4 POS, KEYED, AT SERIES
 DWG NO: AW4S-x
 REV: A1
 SH: 1
 OF: 2

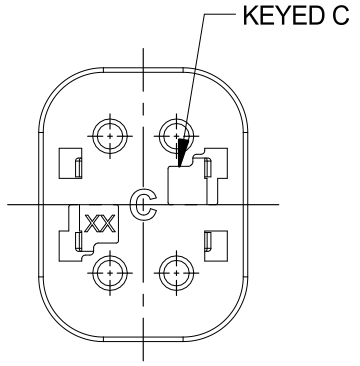
REVISIONS					
REV	ECO	DESCRIPTION	DATE	BY	APPR
A1	-	RELEASE NUMBER	11/JUL/22	RONALD	TOMMY



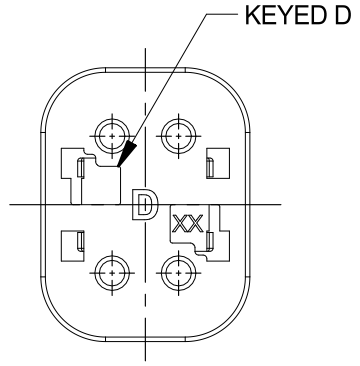
AW4S-A
GRAY



AW4S-B
BLACK



AW4S-C
GREEN



AW4S-D
BROWN

TITLE: S-WEDGELOCK, 4 POS, KEYED AT SERIES
 DWG NO: AW4S-x
 REV: A1
 SH: 2
 OF: 2

QUANTITY	AW4S-x	REF: W4SA-P012, W4SB-P012, W4SC-P012, W4SD-P012		ITEM									
QUANTITY	PART NUMBER	DESCRIPTION		ITEM									
MATERIALS LIST													
UNLESS OTHERWISE SPECIFIED 1) All dimensions are in metric (mm). 2) Tolerances are as follows: 1 PL DEC ±0.30 Fractions ±1/64 2 PL DEC ±0.15 Angles ±1° 3 PL DEC ±0.08 3) Note reference =		<table border="1"> <thead> <tr> <th>SIGNATURES</th> <th>DATE</th> </tr> </thead> <tbody> <tr> <td>DRAWN: RONALD</td> <td>11/JUL/22</td> </tr> <tr> <td>CHECKED: ORION</td> <td>12/JUL/22</td> </tr> <tr> <td>APPROVAL: TOMMY</td> <td>13/JUL/22</td> </tr> </tbody> </table>		SIGNATURES	DATE	DRAWN: RONALD	11/JUL/22	CHECKED: ORION	12/JUL/22	APPROVAL: TOMMY	13/JUL/22	<h1>Amphenol</h1> <p>Sine Systems - www.amphenol-sine.com 44724 Morley Drive Clinton Township, MI 48036</p>	
SIGNATURES	DATE												
DRAWN: RONALD	11/JUL/22												
CHECKED: ORION	12/JUL/22												
APPROVAL: TOMMY	13/JUL/22												
MATERIAL SPECIFICATIONS: WEIGHT: 1.14g		CUSTOMER: THIS DRAWING IS SUPPLIED FOR INFORMATION ONLY. DESIGN FEATURES, SPECIFICATIONS AND PERFORMANCE DATA SHOWN HEREON ARE THE PROPERTY OF THE AMPHENOL CORPORATION. NO RIGHTS OF REPRODUCTION ARE IMPLIED. ALL DIMENSIONS ARE SUBJECT TO NORMAL MANUFACTURING VARIATIONS.		S-WEDGELOCK, 4 POS, KEYED, AT SERIES									
PROCESS SPECIFICATIONS: NEXT ASSY:		SIZE: B TYPE: C- SCALE: NONE	DWG NO: AW4S-x	REVISION: A1 SHEET 2 OF 2									