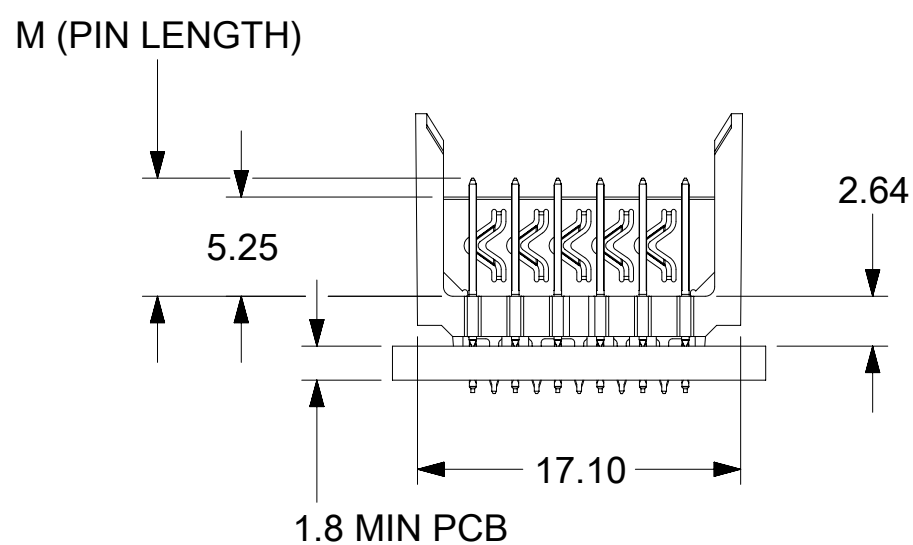
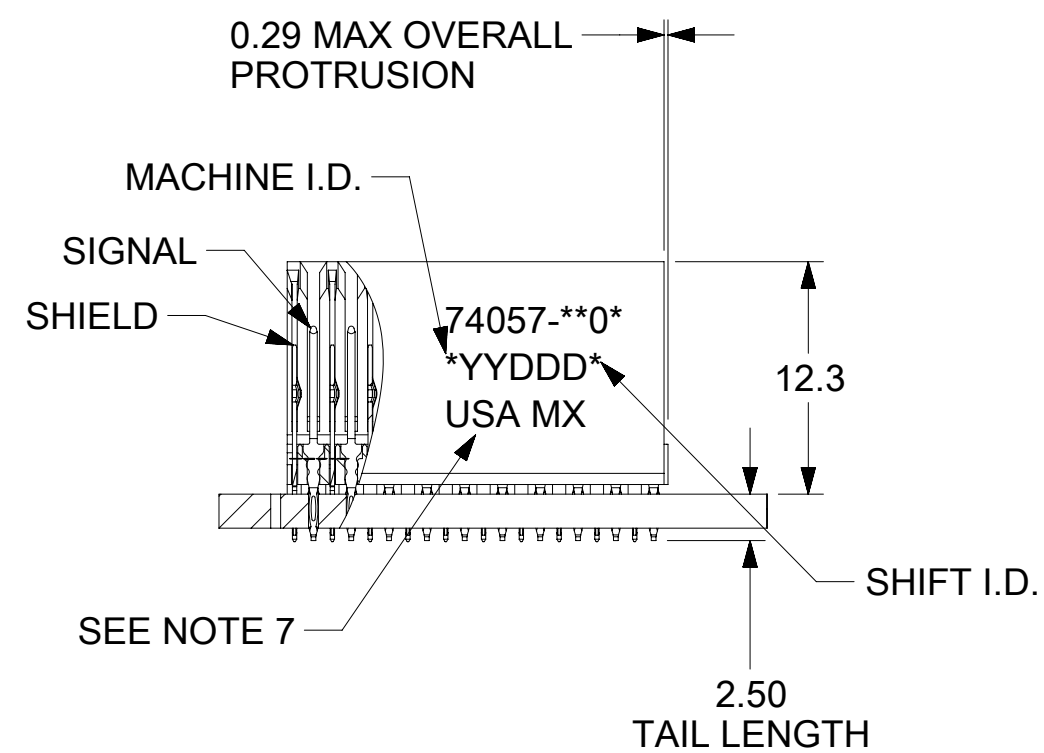
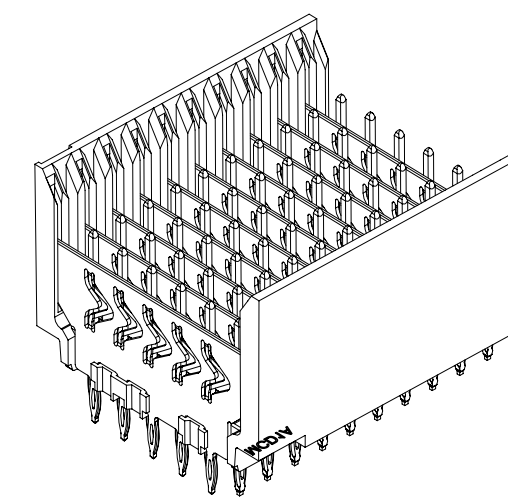


**BLACK PLANE HOLE PATTERN  
RECOMMENDED DIMENSIONS**



**NOTES:**

1. MATERIALS:  
HOUSING - LIQUID CRYSTAL POLYMER (LCP),  
GLASS-FILLED, UL 94V-0, COLOR: BLACK  
SIGNAL PIN & SHIELD - COPPER ALLOY
2. FINISHES:  
CONTACT AREA: SELECTIVE GOLD (Au)  
PCB TAILS: SELECTIVE MATTE TIN (Sn)  
NICKEL (Ni) OVERALL.
3. THIS PART CONFORMS TO MOLEX PRODUCT SPECIFICATION PS-74031-999
4. FOR MIXED CONTACT LENGTHS CONSULT MOLEX FOR AVAILABILITY
5. FOR SPECIFIC MATERIAL NUMBERS & MATING INFORMATION REFER TO SHEET 2
6. PACKAGE PER PK-74057-003
7. EITHER MARK PART WITH PART NUMBER & DATE CODE APPROXIMATELY WHERE SHOWN OR PLACE LABEL ON THE TUBE.
8. MAPS (MOLEX ADVANCED PLATING SYSTEM)

PENDING APPROVAL

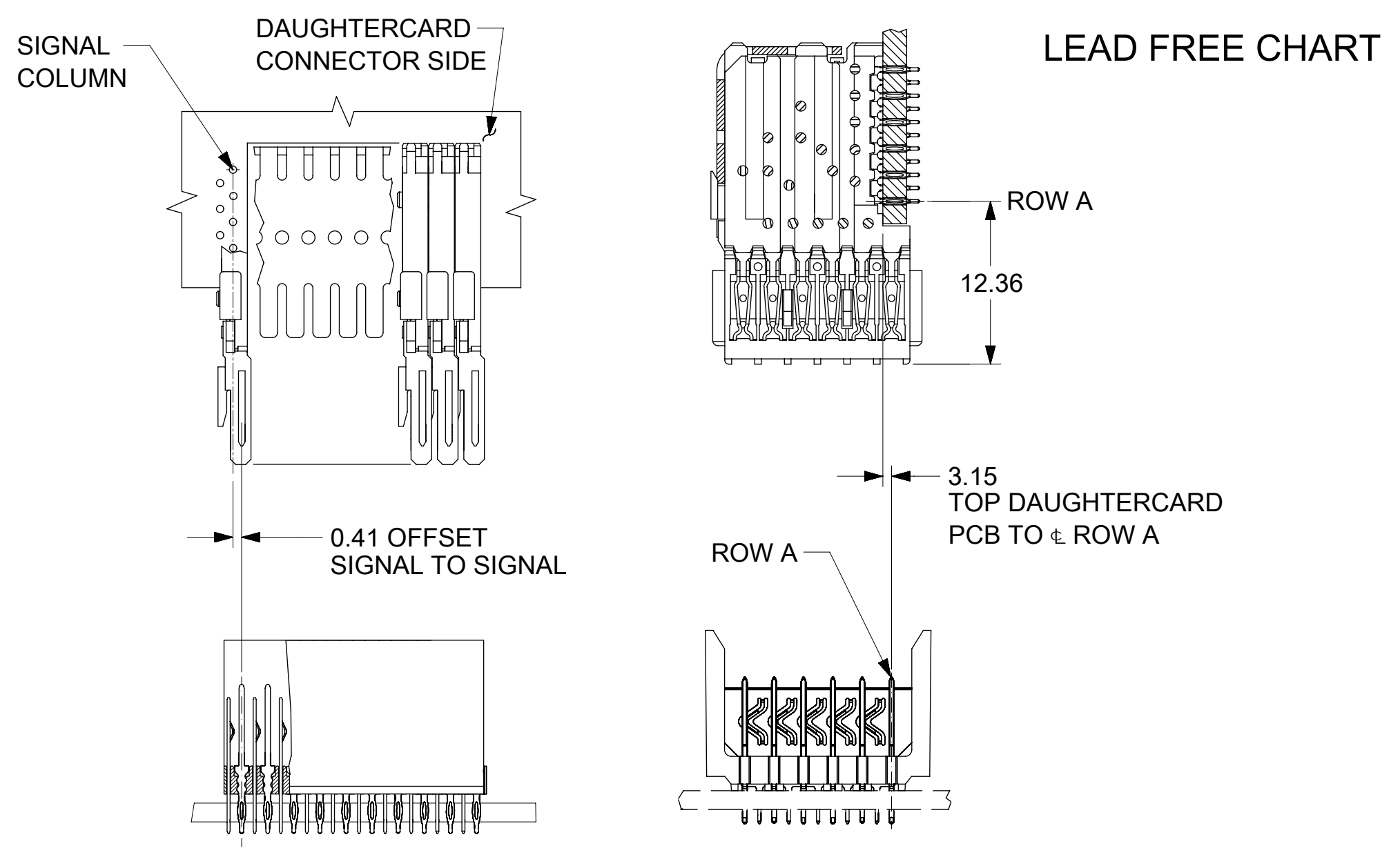
|   |                        |   |        |                 |                |              |  |  |  |                 |          |          |          |          |              |  |     |     |    |
|---|------------------------|---|--------|-----------------|----------------|--------------|--|--|--|-----------------|----------|----------|----------|----------|--------------|--|-----|-----|----|
| THIS DRAWING CONTAINS INFORMATION THAT IS PROPRIETARY TO MOLEX ELECTRONIC TECHNOLOGIES, LLC AND SHOULD NOT BE USED WITHOUT WRITTEN PERMISSION |                        |   |        |                 |                |              |  |  |  |                 |          |          |          |          |              |  |     |     |    |
| DIMENSION UNITS   | SCALE                  | CURRENT REV DESC: SEE REVISION HISTORY ON SHEET 3   |        |                 |                |              |  |  |  |                 |          |          |          |          |              |  |     |     |    |
| mm  | 2.5:1                  | <div style="text-align: right; font-weight: bold; font-size: 24px; margin-bottom: 10px;">molex</div> <div style="text-align: center; font-weight: bold; font-size: 12px; margin-bottom: 10px;">VHDM 6 ROW<br/>OPEN END BACKPLANE SALES ASSEMBLY</div> <div style="text-align: center; font-weight: bold; font-size: 10px; margin-bottom: 10px;">PRODUCT CUSTOMER DRAWING</div> <table style="width: 100%; font-size: 8px;"> <tr> <td colspan="2">DOCUMENT NUMBER</td> <td>DOC TYPE</td> <td>DOC PART</td> <td>REVISION</td> </tr> <tr> <td colspan="2" style="text-align: center; font-weight: bold;">SD-74057-002</td> <td style="text-align: center;">PSD</td> <td style="text-align: center;">001</td> <td style="text-align: center; font-weight: bold;">N4</td> </tr> </table> |        |                 |                |              |  |  |  | DOCUMENT NUMBER |          | DOC TYPE | DOC PART | REVISION | SD-74057-002 |  | PSD | 001 | N4 |
| DOCUMENT NUMBER   |                        |   |        |                 |                |              |  |  |  | DOC TYPE        | DOC PART | REVISION |          |          |              |  |     |     |    |
| SD-74057-002  |                        |   |        |                 |                |              |  |  |  | PSD             | 001      | N4       |          |          |              |  |     |     |    |
| GENERAL TOLERANCES (UNLESS SPECIFIED)   |                        |   |        |                 |                |              |  |  |  |                 |          |          |          |          |              |  |     |     |    |
| 4 PLACES  | ±                      |   |        |                 |                |              |  |  |  | MM              | ±        | INCH     | ±        |          |              |  |     |     |    |
| 3 PLACES  | ±                      | MM  | ±      | INCH            | ±              |              |  |  |  |                 |          |          |          |          |              |  |     |     |    |
| 2 PLACES  | ±                      | 0.25  | ±      | INCH            | ±              |              |  |  |  |                 |          |          |          |          |              |  |     |     |    |
| 1 PLACE   | ±                      | 0.38  | ±      | INCH            | ±              |              |  |  |  |                 |          |          |          |          |              |  |     |     |    |
| 0 PLACES  | ±                      | INCH  | ±      | INCH            | ±              |              |  |  |  |                 |          |          |          |          |              |  |     |     |    |
| ANGULAR TOL   | ±                      | 0.5   | °      |                 |                |              |  |  |  |                 |          |          |          |          |              |  |     |     |    |
| DRAFT WHERE APPLICABLE MUST REMAIN WITHIN DIMENSIONS  | THIRD ANGLE PROJECTION | DRAWING   | SERIES | MATERIAL NUMBER | CUSTOMER       | SHEET NUMBER |  |  |  |                 |          |          |          |          |              |  |     |     |    |
|   |                        | C-SIZE  | 74057  | SEE TABLE       | GENERAL MARKET | 1 OF 3       |  |  |  |                 |          |          |          |          |              |  |     |     |    |

|                 |    |              |   |   |   |   |   |   |   |
|-----------------|----|--------------|---|---|---|---|---|---|---|
| DOCUMENT STATUS | RQ | RELEASE DATE |   |   |   |   |   |   |   |
| 12              | 11 | 10           | 9 | 8 | 7 | 6 | 5 | 4 | 3 |

| PART NUMBER | COLUMN | NUMBER OF SIGNAL PIN | NUMBER OF SHIELD | A     | B     | M         | GOLD THICKNESS MICROMETER | TIN THICKNESS MICROMETER |       |       |      |
|-------------|--------|----------------------|------------------|-------|-------|-----------|---------------------------|--------------------------|-------|-------|------|
| 74057-6001  | 10     | 60                   | 10               | 20.00 | 18.00 | 4.75      | 0.25 MAPS                 | 0.76-1.52                |       |       |      |
| 74057-9001  |        |                      |                  |       |       |           | 0.76                      |                          |       |       |      |
| 74057-9006  |        |                      |                  |       |       |           | 1.27                      |                          |       |       |      |
| 74057-6501  | 15     | 90                   | 15               | 30.00 | 28.00 | 0.25 MAPS |                           |                          |       |       |      |
| 74057-9501  |        |                      |                  |       |       | 0.76      |                           |                          |       |       |      |
| 74057-9506  |        |                      |                  |       |       | 1.27      |                           |                          |       |       |      |
| 74057-7001  | 25     | 150                  | 25               | 50.00 | 48.00 | 0.25 MAPS |                           |                          |       |       |      |
| 74057-8506  |        |                      |                  |       |       | 1.27      |                           |                          |       |       |      |
| 74057-6002  |        |                      |                  |       |       | 0.25 MAPS |                           |                          |       |       |      |
| 74057-9002  | 10     | 60                   | 10               | 20.00 | 18.00 | 0.76      |                           |                          |       |       |      |
| 74057-9007  |        |                      |                  |       |       | 1.27      |                           |                          |       |       |      |
| 74057-6502  |        |                      |                  |       |       | 0.25 MAPS |                           |                          |       |       |      |
| 74057-9502  | 15     | 90                   | 15               | 30.00 | 28.00 | 0.76      |                           |                          |       |       |      |
| 74057-9507  |        |                      |                  |       |       | 1.27      |                           |                          |       |       |      |
| 74057-7002  |        |                      |                  |       |       | 0.25 MAPS |                           |                          |       |       |      |
| 74057-8502  | 25     | 150                  | 25               | 50.00 | 48.00 | 0.76      |                           |                          |       |       |      |
| 74057-8507  |        |                      |                  |       |       | 1.27      |                           |                          |       |       |      |
| 74057-6003  |        |                      |                  |       |       | 0.25 MAPS |                           |                          |       |       |      |
| 74057-9003  | 10     | 60                   | 10               | 50.00 | 48.00 | 0.76      |                           |                          |       |       |      |
| 74057-9008  |        |                      |                  |       |       | 1.27      |                           |                          |       |       |      |
| 74057-6503  |        |                      |                  |       |       | 0.25 MAPS |                           |                          |       |       |      |
| 74057-9503  | 15     | 90                   | 15               | 30.00 | 28.00 | 0.76      |                           |                          |       |       |      |
| 74057-9508  |        |                      |                  |       |       | 1.27      |                           |                          |       |       |      |
| 74057-7003  |        |                      |                  |       |       | 0.25 MAPS |                           |                          |       |       |      |
| 74057-8508  | 25     | 150                  | 25               | 50.00 | 48.00 | 1.27      |                           |                          |       |       |      |
| 74057-9009  |        |                      |                  |       |       | 10        | 60                        | 10                       | 20.00 | 18.00 | 1.27 |
| 74057-6504  |        |                      |                  |       |       | 0.25 MAPS |                           |                          |       |       |      |
| 74057-9504  | 15     | 90                   | 15               | 30.00 | 28.00 | 0.76      |                           |                          |       |       |      |
| 74057-9509  |        |                      |                  |       |       | 1.27      |                           |                          |       |       |      |
| 74057-8504  |        |                      |                  |       |       | 0.76      |                           |                          |       |       |      |
| 74057-8509  | 25     | 150                  | 25               | 50.00 | 48.00 | 1.27      |                           |                          |       |       |      |

| PART NUMBER | COLUMN | NUMBER OF SIGNAL PIN | NUMBER OF SHIELD | A     | B     | M    | GOLD THICKNESS MICROMETER | TIN THICKNESS MICROMETER |
|-------------|--------|----------------------|------------------|-------|-------|------|---------------------------|--------------------------|
| 74057-1006  | 10     | 60                   | 10               | 20.00 | 18.00 | 4.75 | 1.27                      | 0.76-1.52                |
| 74057-1501  | 15     | 90                   | 15               | 30.00 | 28.00 |      | 0.76                      |                          |
| 74057-1506  |        |                      |                  |       |       |      | 1.27                      |                          |
| 74057-2506  | 25     | 150                  | 25               | 50.00 | 48.00 | 1.27 |                           |                          |
| 74057-1002  | 10     | 60                   | 10               | 20.00 | 18.00 | 6.25 | 0.76                      |                          |
| 74057-1502  | 15     | 90                   | 15               | 30.00 | 28.00 |      | 0.76                      |                          |
| 74057-1507  |        |                      |                  |       |       | 1.27 |                           |                          |
| 74057-1008  | 10     | 60                   | 10               | 20.00 | 18.00 | 4.25 | 1.27                      |                          |
| 74057-1503  | 15     | 90                   | 15               | 30.00 | 28.00 |      | 0.76                      |                          |
| 74057-1508  |        |                      |                  |       |       |      | 1.27                      |                          |
| 74057-2508  | 25     | 150                  | 25               | 50.00 | 48.00 | 1.27 |                           |                          |
| 74057-1004  | 10     | 60                   | 10               | 20.00 | 18.00 | 5.15 | 0.76                      |                          |
| 74057-1009  |        |                      |                  |       |       |      | 1.27                      |                          |
| 74057-1504  | 15     | 90                   | 15               | 30.00 | 28.00 |      | 0.76                      |                          |
| 74057-1509  |        |                      |                  |       |       | 1.27 |                           |                          |

LEAD FREE  
(FORMERLY TIN/LEAD) CHART



74057 - \* \* 0 \*

- NUMBER OF COLUMNS/PLATING
- 10 = 10 COLUMN MATTE TIN (FORMERLY TIN/LEAD)
  - 15 = 15 COLUMN MATTE TIN (FORMERLY TIN/LEAD)
  - 25 = 25 COLUMN MATTE TIN (FORMERLY TIN/LEAD)
  - 60 = 10 COLUMN MATTE TIN (MAPS)
  - 65 = 15 COLUMN MATTE TIN (MAPS)
  - 70 = 25 COLUMN MATTE TIN (MAPS)
  - 90 = 10 COLUMN MATTE TIN
  - 95 = 15 COLUMN MATTE TIN
  - 85 = 25 COLUMN MATTE TIN
- PIN HEIGHT
- 1 & 6 = 4.75
  - 2 & 7 = 6.25
  - 3 & 8 = 4.25
  - 4 & 9 = 5.15

PENDING APPROVAL

THIS DRAWING CONTAINS INFORMATION THAT IS PROPRIETARY TO MOLEX ELECTRONIC TECHNOLOGIES, LLC AND SHOULD NOT BE USED WITHOUT WRITTEN PERMISSION

|                    |  |        |   |
|--------------------|--|--------|---|
| FUNCTIONAL SYMBOLS | DIMENSION UNITS                                      | SCALE  | CURRENT REV DESC: SEE REVISION HISTORY ON SHEET 3 |
| F/A = 0            | mm   | 2.5:1  |   |
| F/C = 0            | GENERAL TOLERANCES (UNLESS SPECIFIED)                |        |   |
| F/P = 0            |  | MM     | INCH  |
|                    | 4 PLACES   | ±      | ±   |
|                    | 3 PLACES   | ±      | ±   |
|                    | 2 PLACES   | ± 0.25 | ±   |
|                    | 1 PLACE  | ± 0.38 | ±   |
|                    | 0 PLACES   | ±      | ±   |
|                    | ANGULAR TOL  | ± 0.5° |   |
| DIVISIONAL SYMBOLS | DRAFT WHERE APPLICABLE MUST REMAIN WITHIN DIMENSIONS |        |   |
|                    | THIRD ANGLE PROJECTION                               |        |   |
|                    | DRAWING  | SERIES |   |
|                    | C-SIZE   | 74057  |   |

EC NO: 719836  
DRWN: KRISHH1  
CHK'D:  
APPR:  
2022/07/14

INITIAL REVISION:  
DRWN: MWANG  
APPR: SMILLER  
1998/11/09  
2012/05/23

**molex**

VHDM 6 ROW  
OPEN END BACKPLANE SALES ASSEMBLY

PRODUCT CUSTOMER DRAWING

DOCUMENT NUMBER: SD-74057-002  
DOC TYPE: PSD  
DOC PART: 001  
REVISION: N4

MATERIAL NUMBER: SEE TABLE  
CUSTOMER: GENERAL MARKET  
SHEET NUMBER: 2 OF 3

H  
G  
F  
E  
D  
C  
B  
A

| DATE       | REV | DESCRIPTION  |
|------------|-----|--|
| 2022/06/22 | N3  | DRAWING MIGRATED TO NEW SHEET FORMAT<br>REMOVED OBSOLETE PART NUMBER AS PER PCN#509989 |
| 2022/07/14 | N4  | DRAWING MIGRATION AS MODEL IN THE DRAWING VIEW IS UPDATED                              |
|            |     |  |
|            |     |  |

PENDING APPROVAL

|   |        |  |    |       |                        |   |                          |                 |                |              |          |          |          |
|---|--------|--|----|-------|------------------------|---|--------------------------|-----------------|----------------|--------------|----------|----------|----------|
| THIS DRAWING CONTAINS INFORMATION THAT IS PROPRIETARY TO MOLEX ELECTRONIC TECHNOLOGIES, LLC AND SHOULD NOT BE USED WITHOUT WRITTEN PERMISSION |        |  |    |       |                        |   |                          |                 |                |              |          |          |          |
| FUNCTIONAL SYMBOLS  | FA = 0 | DIMENSION UNITS                                      | mm | SCALE | 1:1                    | CURRENT REV DESC: SEE REVISION HISTORY ON SHEET 3               |                          |                 |                | <b>molex</b> |          |          |          |
|   | FC = 0 | GENERAL TOLERANCES (UNLESS SPECIFIED)                |    |       |                        |   |                          |                 |                |              |          |          |          |
| DIVISIONAL SYMBOLS  | FP = 0 | 4 PLACES   | ±  | MM    | ±                      | EC NO: 719836<br>DRWN: KRISHH1<br>CHK'D:<br>APPR:<br>2022/07/14 | PRODUCT CUSTOMER DRAWING |                 |                |              |          |          |          |
|   |        | 3 PLACES   | ±  | INCH  | ±                      |   |                          |                 |                |              |          |          |          |
|   |        | 2 PLACES   | ±  | 0.25  | ±                      |   |                          |                 |                |              |          |          |          |
|   |        | 1 PLACE  | ±  | 0.38  | ±                      |   |                          |                 |                |              |          |          |          |
|   |        | 0 PLACES   | ±  |       | ±                      |   |                          |                 |                |              |          |          |          |
|   |        | ANGULAR TOL  | ±  | 0.5 ° |                        | INITIAL REVISION:   | DOCUMENT NUMBER          |                 |                |              | DOC TYPE | DOC PART | REVISION |
|   |        | DRAFT WHERE APPLICABLE MUST REMAIN WITHIN DIMENSIONS |    |       | THIRD ANGLE PROJECTION | DRAWING   | SERIES                   | MATERIAL NUMBER | CUSTOMER       | SHEET NUMBER |          |          |          |
|   |        |  |    |       |                        | C-SIZE  | 74057                    | SEE TABLE       | GENERAL MARKET | SD-74057-002 | PSD      | 001      | N4       |
|   |        |  |    |       |                        |   |                          |                 |                |              |          |          | 3 OF 3   |

|                 |    |              |  |
|-----------------|----|--------------|--|
| DOCUMENT STATUS | RQ | RELEASE DATE |  |
|-----------------|----|--------------|--|