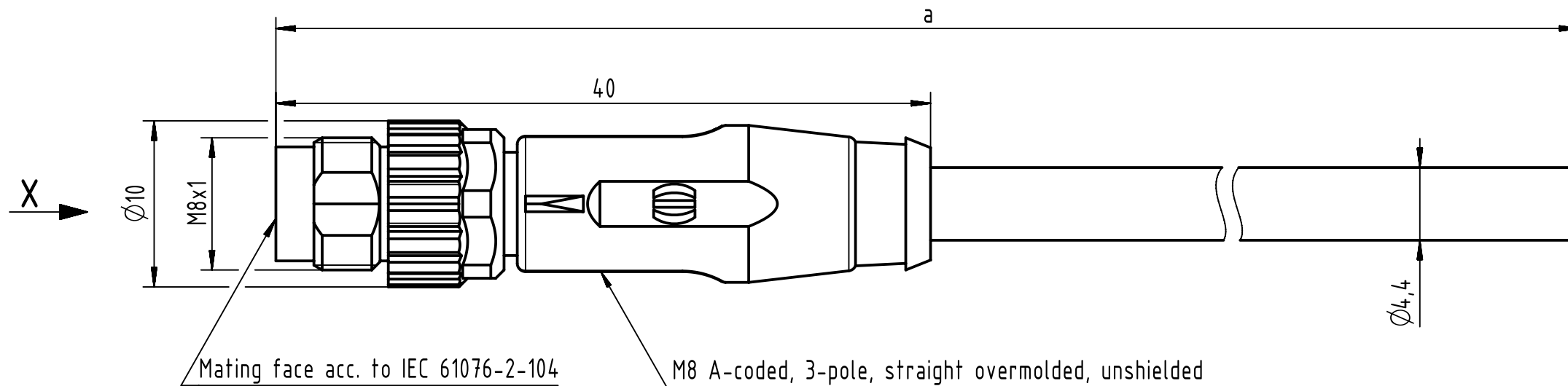
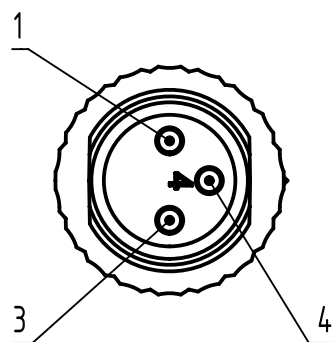


Connector Location A

Connector Location B



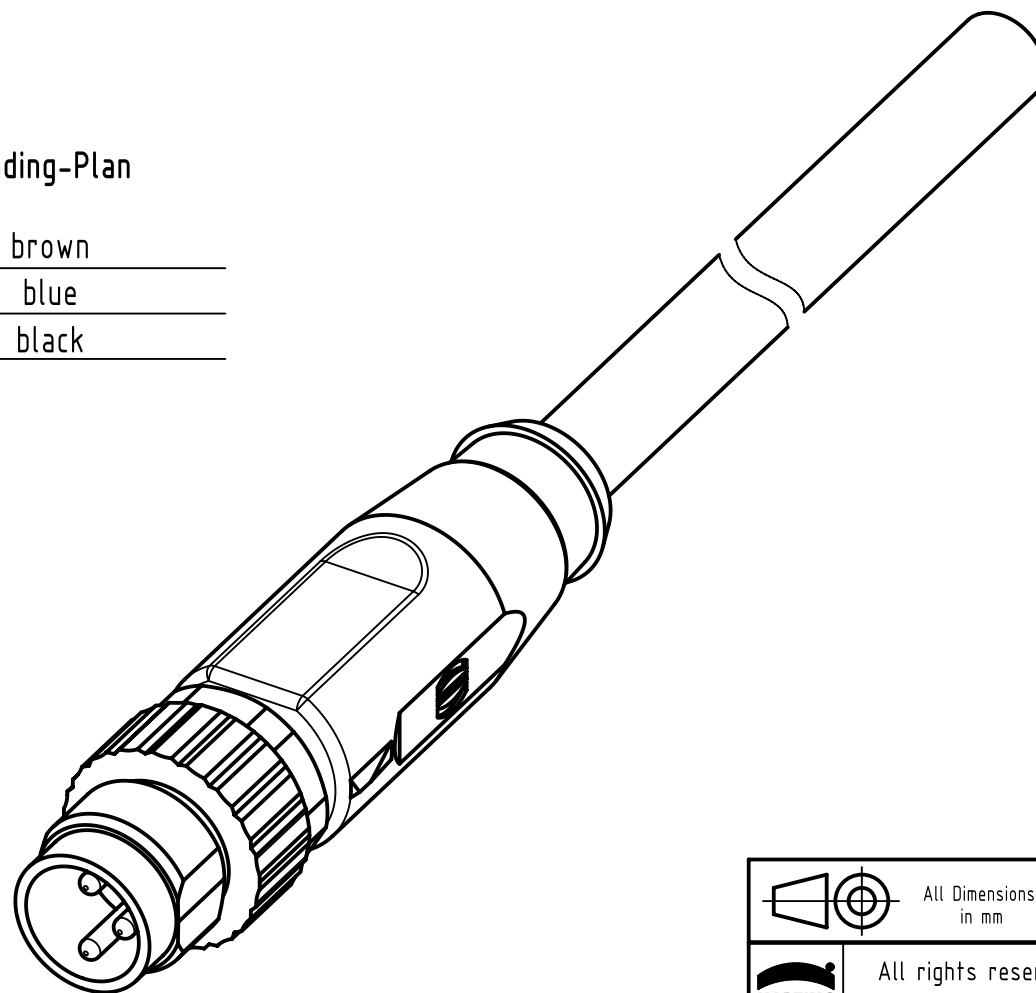
X
male



Loading-Plan

1	brown
3	blue
4	black

- Protection level: IP67
- Temperature range: -25°C ... +80°C



length in "1m" step	40	XXX=400
	39	XXX=390

	12	XXX=120
length in "0.1m" step	11	XXX=110
	10	XXX=100
	9.9	XXX=099
	9.8	XXX=098

	0.4	XXX=004
	0.3	XXX=003
	0.2	XXX=002
	0.1	XXX=001
Step	a [m]	XXX

4.0 to 40	±1%
0.1 to 3.9	+0.04
a [m]	Tolerance

PVC grey, 3x0.25mm ²	21348000380XXX
Type of cable	Part no.

	All rights reserved	Created by STOCHECIC Stocheici	Inspected by COSTEA Costea	Standardisation MUNTEANV Muntean	Date 2018-12-17	State Final Release	
	Department HCS - RO	Title M8 Cable Assembly 3-poles st/- m/-				Doc-Key / ECM-Nr. 100577956/UGD/009/C 500000144934	
HARTING Customised Solutions D-32339 Espelkamp		Type TB	Number 21348000380XXX			Rev. C	Page 1/1