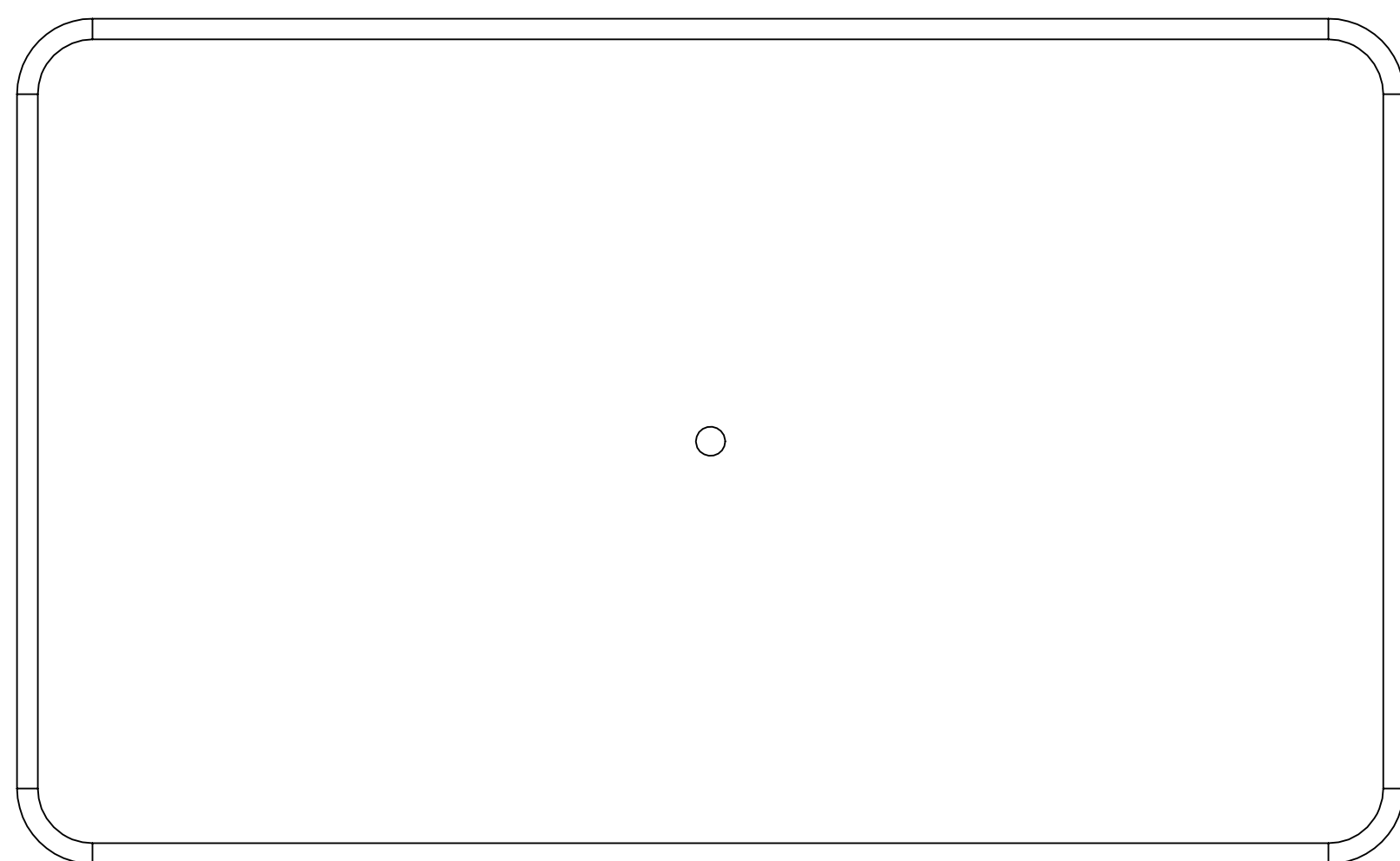
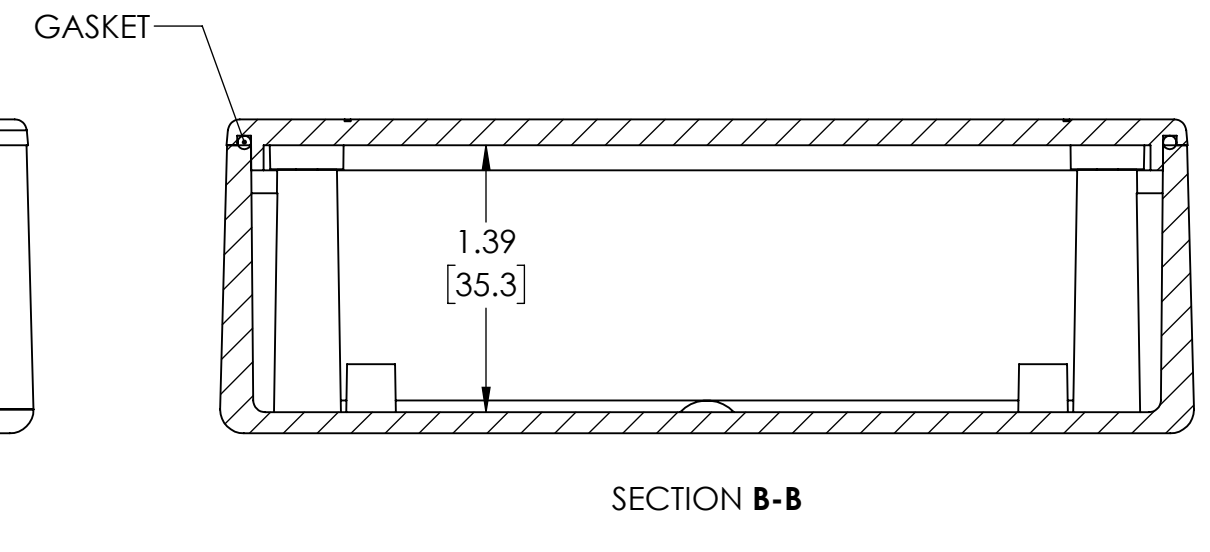
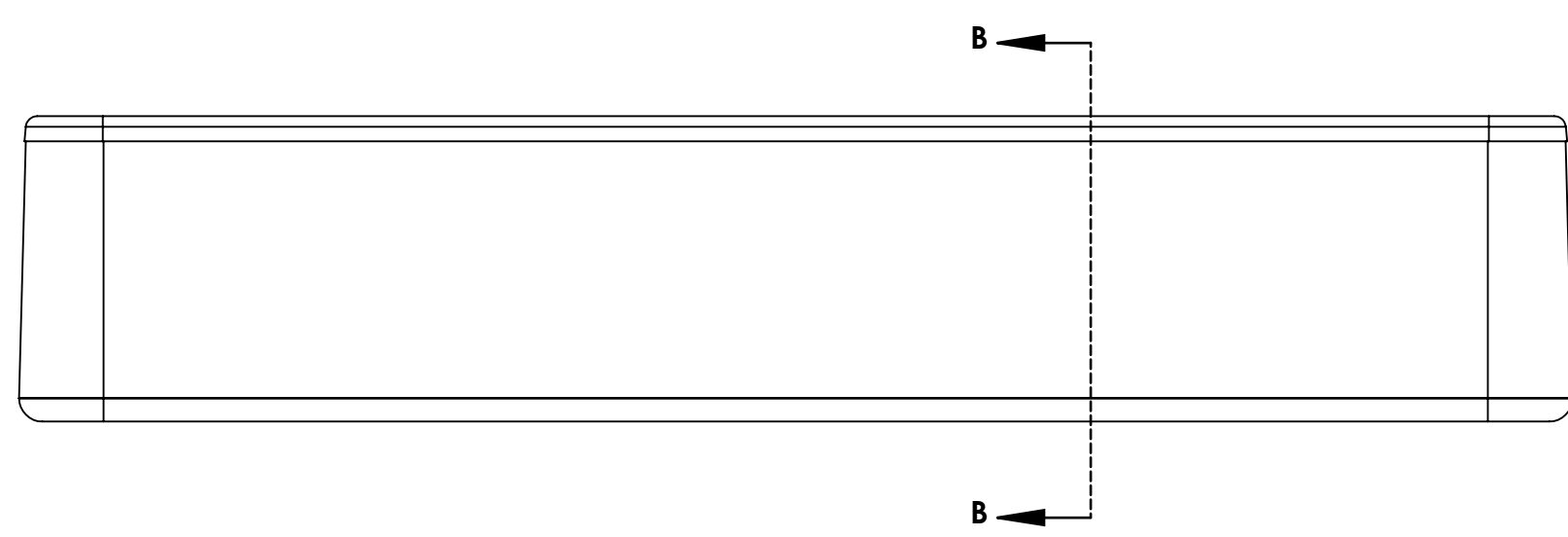
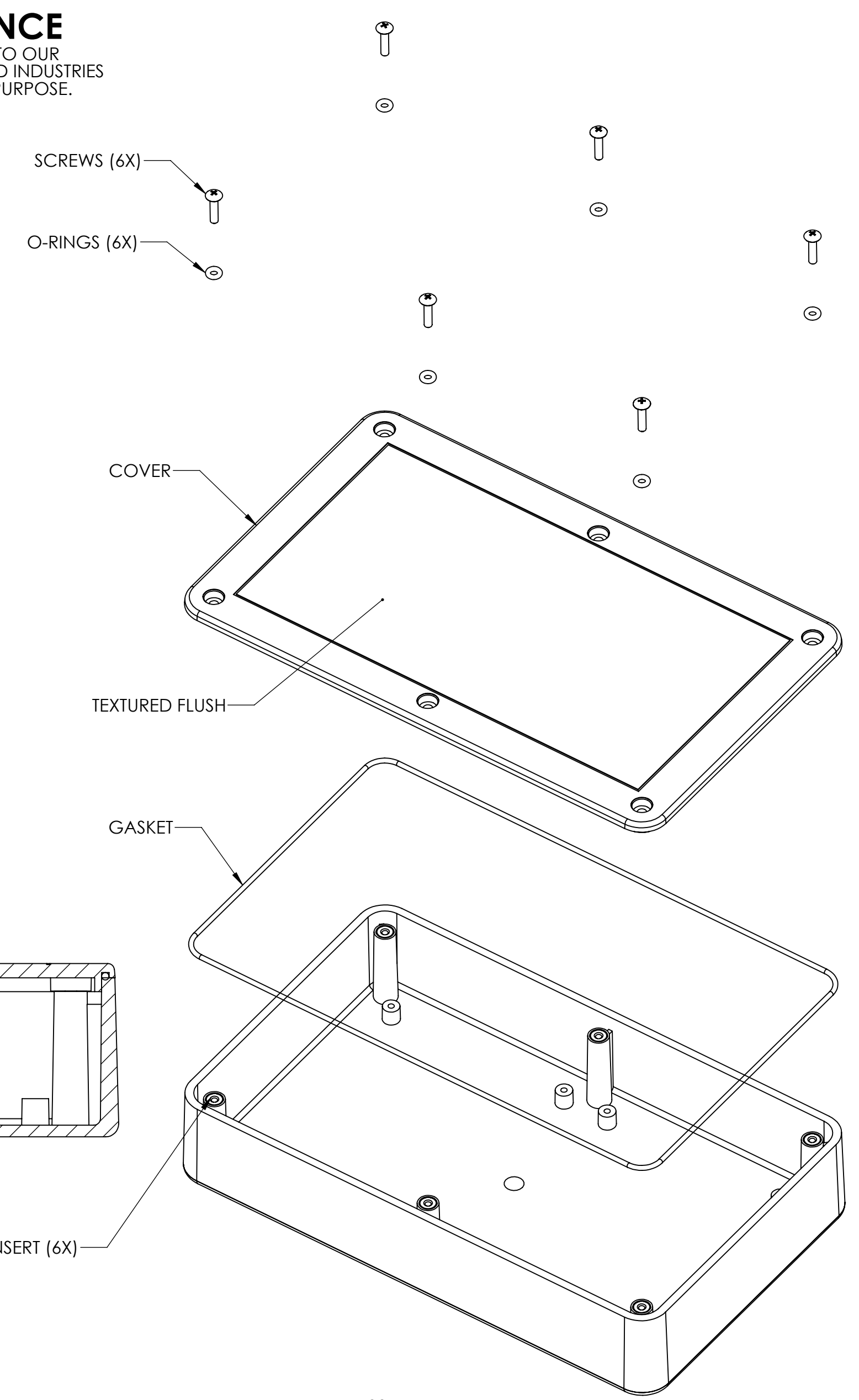
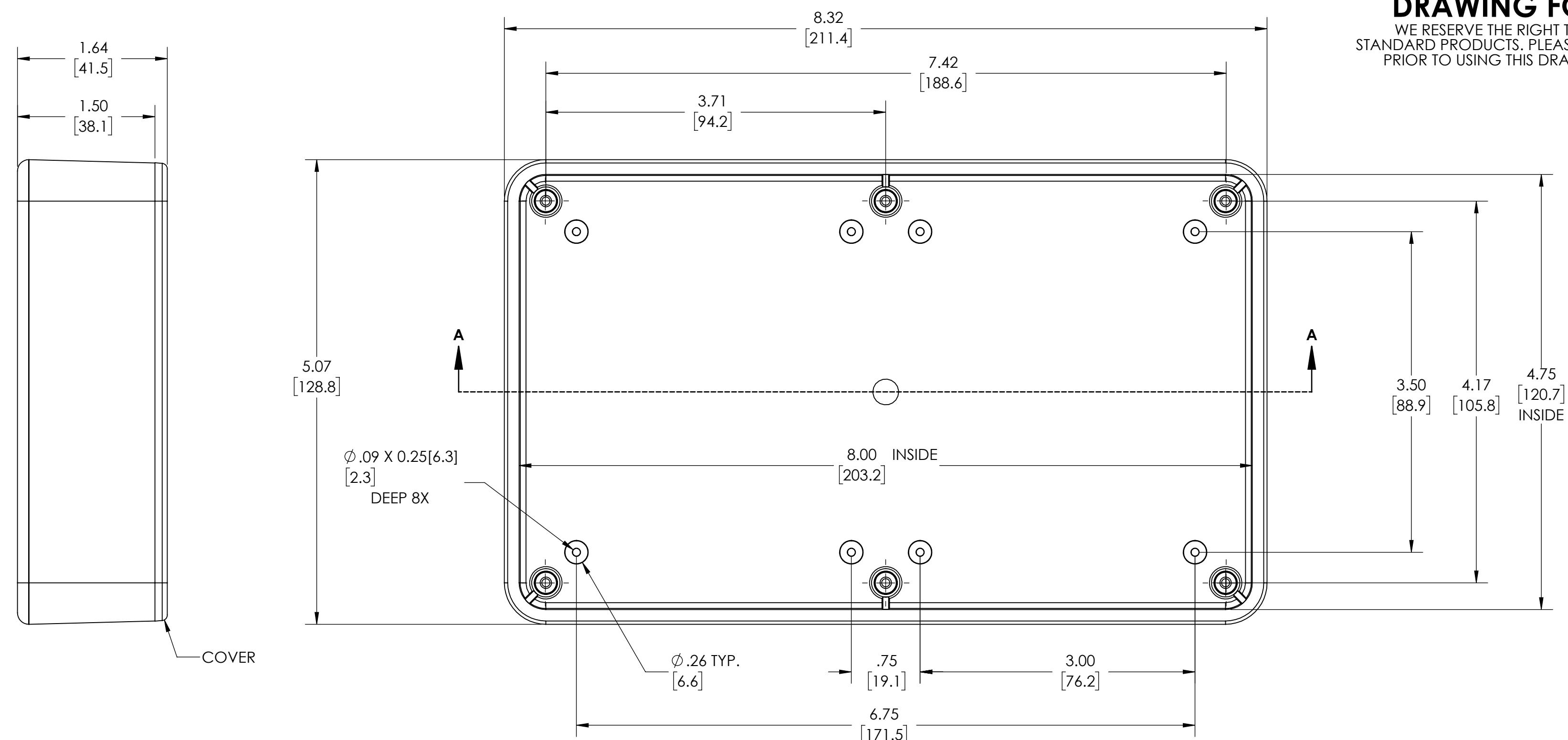
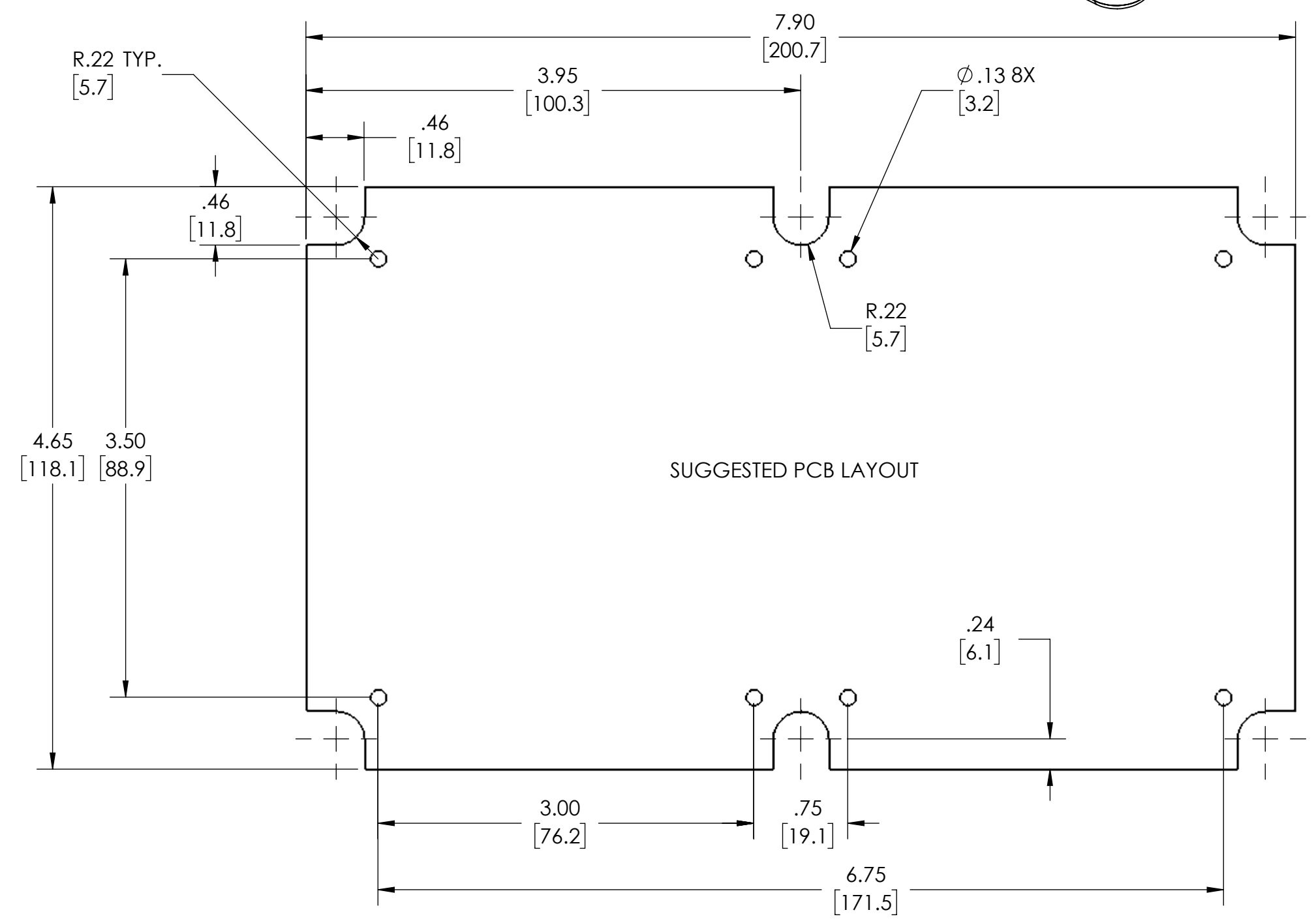


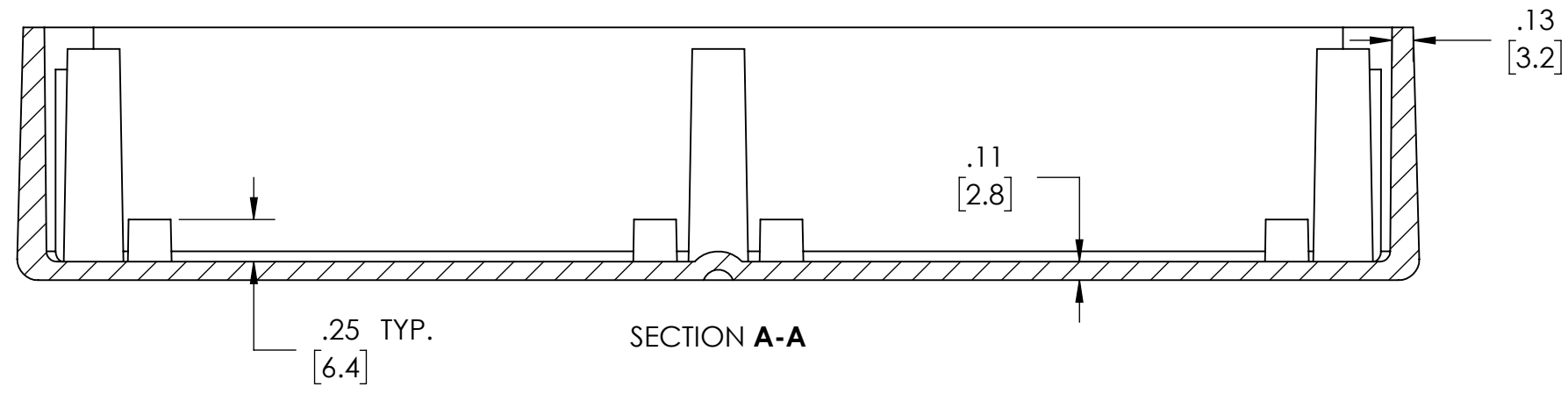
**DRAWING FOR REFERENCE**  
 WE RESERVE THE RIGHT TO MAKE CHANGES TO OUR  
 STANDARD PRODUCTS. PLEASE CONSULT WITH BUD INDUSTRIES  
 PRIOR TO USING THIS DRAWING FOR DESIGN PURPOSE.



BOTTOM VIEW



SUGGESTED PCB LAYOUT



SECTION A-A

NOTES:  
 1- MATERIAL: BASE & TEXTURED FLUSH COVER - BLACK ABS UL94-5VA  
 2- DIMENSIONS ARE INCH [MM]