



# STS3DPF60L

## DUAL P-CHANNEL 60V - 0.10 $\Omega$ - 3A SO-8 STripFET™ MOSFET

**Table 1: General Features**

TYPE	V <sub>DSS</sub>	R <sub>DS(on)</sub>	I <sub>D</sub>
STS3DPF60L	60 V	< 0.12 $\Omega$	3 A

- TYPICAL R<sub>DS(on)</sub> = 0.10  $\Omega$  @ 10V
- STANDARD OUTLINE FOR EASY AUTOMATED SURFACE MOUNT ASSEMBLY
- LOW THRESHOLD DRIVE

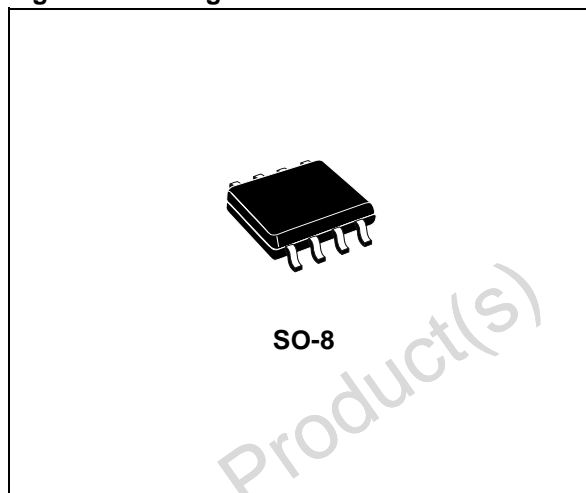
### DESCRIPTION

This MOSFET is the latest development of STMicroelectronics unique "Single Feature Size™" strip-based process. The resulting transistor shows extremely high packing density for low on-resistance, rugged avalanche characteristics and less critical alignment steps therefore a remarkable manufacturing reproducibility.

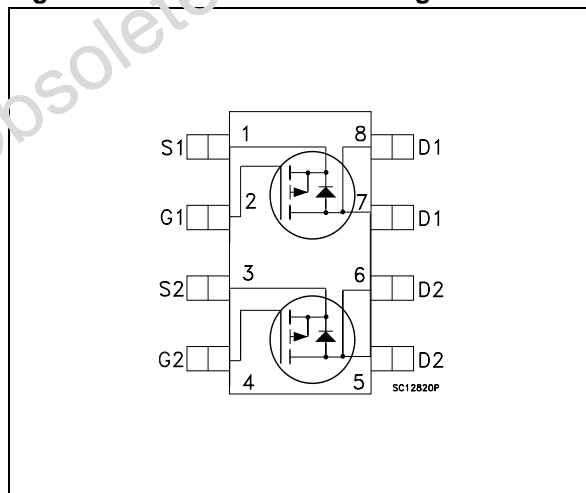
### APPLICATIONS

- DC-DC CONVERTERS

**Figure 1: Package**



**Figure 2: Internal Schematic Diagram**



**Table 2: Order Codes**

PART NUMBER	MARKING	PACKAGE	PACKAGING
STS3DPF60L	S3DPF60L	SO-8	TAPE & REEL

**Table 3: Absolute Maximum ratings**

Symbol	Parameter	Value	Unit
$V_{DS}$	Drain-source Voltage ( $V_{GS} = 0$ )	60	V
$V_{DGR}$	Drain-gate Voltage ( $R_{GS} = 20\text{ k}\Omega$ )	60	V
$V_{GS}$	Gate- source Voltage	$\pm 16$	V
$I_D$	Drain Current (continuous) at $T_C = 25^\circ\text{C}$	3	A
	Drain Current (continuous) at $T_C = 100^\circ\text{C}$	1.9	A
$I_{DM}(\bullet)$	Drain Current (pulsed)	12	A
$P_{tot}$	Total Dissipation at $T_C = 25^\circ\text{C}$	2	W
$T_{stg}$	Storage Temperature	-55 to 150	$^\circ\text{C}$
$T_j$	Operating Junction Temperature		

( $\bullet$ ) Pulse width limited by safe operating area.

**Table 4: Thermal Data**

$R_{thj-amb}$	(*)Thermal Resistance Junction-ambient	62.5	$^\circ\text{C}/\text{W}$
---------------	--	------	---------------------------

(\*) When Mounted on 1 inch<sup>2</sup> FR-4 board, 2 oz of Cu  $t \leq 10\text{ s}$

**ELECTRICAL CHARACTERISTICS ( $T_{CASE} = 25^\circ\text{C}$  UNLESS OTHERWISE SPECIFIED)**

**Table 5: On/Off**

Symbol	Parameter	Test Conditions	Min.	Typ.	Max.	Unit
$V_{(BR)DSS}$	Drain-source Breakdown Voltage	$I_D = 250\ \mu\text{A}, V_{GS} = 0$	60			V
$I_{DSS}$	Zero Gate Voltage Drain Current ( $V_{GS} = 0$ )	$V_{DS} = \text{Max Rating}$			1	$\mu\text{A}$
		$V_{DS} = \text{Max Rating}, T_C = 125^\circ\text{C}$			10	$\mu\text{A}$
$I_{GSS}$	Gate-body Leakage Current ( $V_{DS} = 0$ )	$V_{GS} = \pm 16\text{ V}$			$\pm 100$	nA
$V_{GS(th)}$	Gate Threshold Voltage	$V_{DS} = V_{GS}, I_D = 250\ \mu\text{A}$	1.5			V
$R_{DS(on)}$	Static Drain-source On Resistance	$V_{GS} = 10\text{ V}, I_D = 1.5\text{ A}$		0.10	0.12	$\Omega$
		$V_{GS} = 4.5\text{ V}, I_D = 1.5\text{ A}$		0.130	0.160	$\Omega$

## ELECTRICAL CHARACTERISTICS (CONTINUED)

Table 6: Dynamic

Symbol	Parameter	Test Conditions	Min.	Typ.	Max.	Unit
$g_{fs}^{(*)}$	Forward Transconductance	$V_{DS} = 10\text{ V}, I_D = 3\text{ A}$		7.2		S
$C_{iss}$ $C_{oss}$ $C_{rss}$	Input Capacitance Output Capacitance Reverse Transfer Capacitance	$V_{DS} = 25\text{ V}, f = 1\text{ MHz}, V_{GS} = 0$		630 121 49		pF pF pF
$t_{d(on)}$ $t_r$ $t_{d(off)}$ $t_f$	Turn-on Delay Time Rise Time Turn-off Delay Time Fall Time	$V_{DD} = 30\text{ V}, I_D = 1.5\text{ A}$ $R_G = 4.7\ \Omega, V_{GS} = 4.5\text{ V}$ (see Figure 16)		124 54 39 14.5		ns ns ns ns
$Q_g$ $Q_{gs}$ $Q_{gd}$	Total Gate Charge Gate-Source Charge Gate-Drain Charge	$V_{DD} = 48\text{ V}, I_D = 3\text{ A}, V_{GS} = 4.5\text{ V}$ (see Figure 19)		11.6 4.5 4.7	15.7	nC nC nC

Table 7: Source Drain Diode

Symbol	Parameter	Test Conditions	Min.	Typ.	Max.	Unit
$I_{SD}$ $I_{SDM}^{(\bullet)}$	Source-drain Current Source-drain Current (pulsed)				3 12	A A
$V_{SD}^{(*)}$	Forward On Voltage	$I_{SD} = 3\text{ A}, V_{GS} = 0$			1.2	V
$t_{rr}$ $Q_{rr}$ $I_{RRM}$	Reverse Recovery Time Reverse Recovery Charge Reverse Recovery Current	$I_{SD} = 3\text{ A}, di/dt = 100\text{ A}/\mu\text{s}$ $V_{DD} = 30\text{ V}, T_j = 150^\circ\text{C}$ (see Figure 17)		44 68.2 3.1		ns nC A

(\*) Pulsed: Pulse duration = 300  $\mu\text{s}$ , duty cycle 1.5 %.

( $\bullet$ ) Pulse width limited by safe operating area.

Figure 3: Safe Operating Area

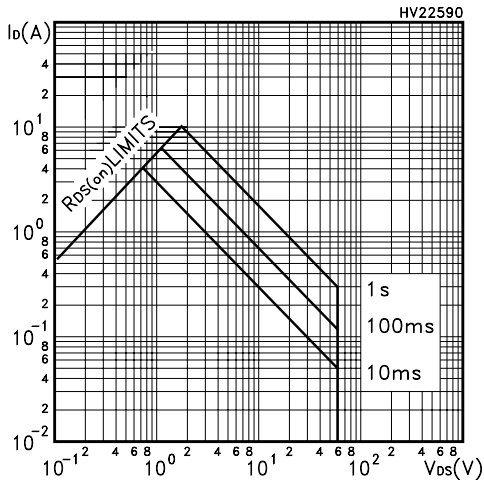


Figure 4: Output Characteristics

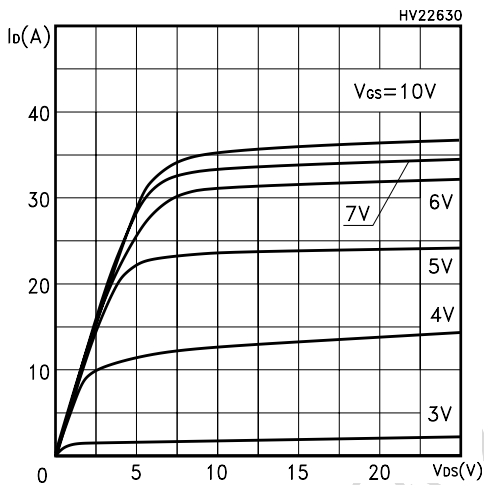


Figure 5: Transconductance

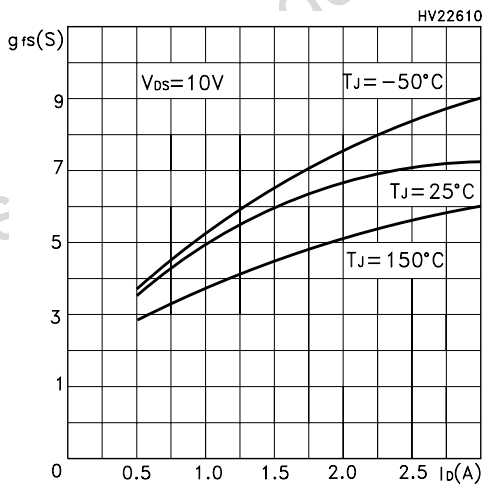


Figure 6: Thermal Impedance

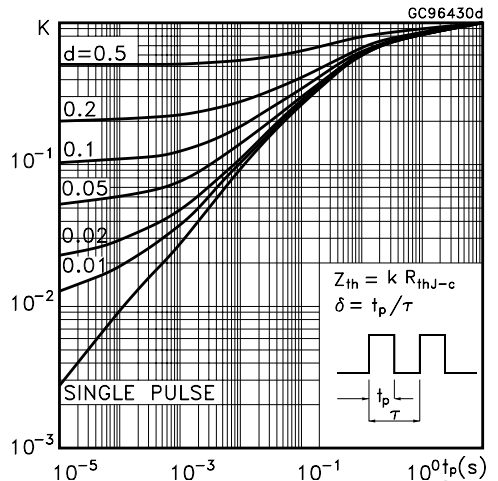


Figure 7: Transfer Characteristics

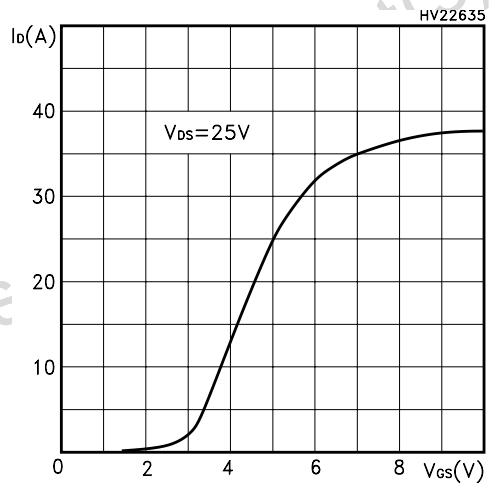


Figure 8: Static Drain-source On Resistance

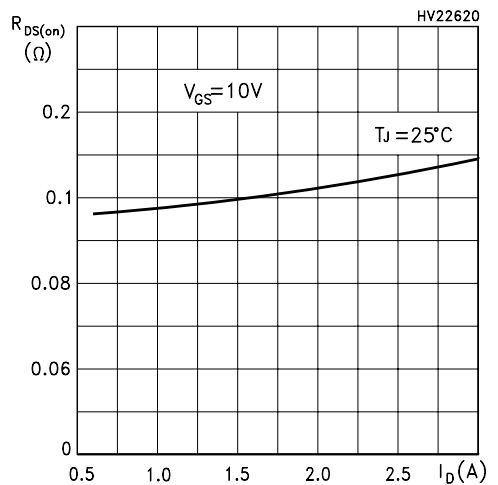


Figure 9: Gate Charge vs Gate-source Voltage

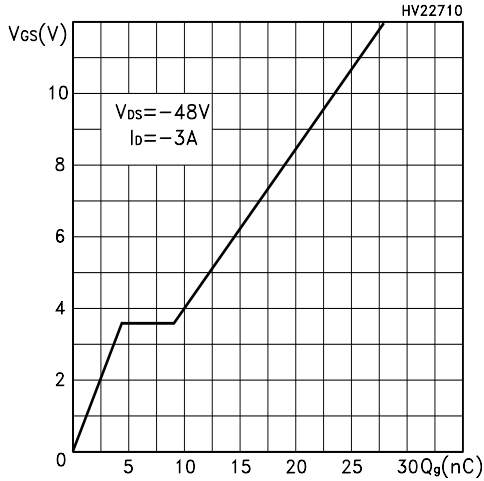


Figure 10: Normalized Gate Threshold Voltage vs Temperature

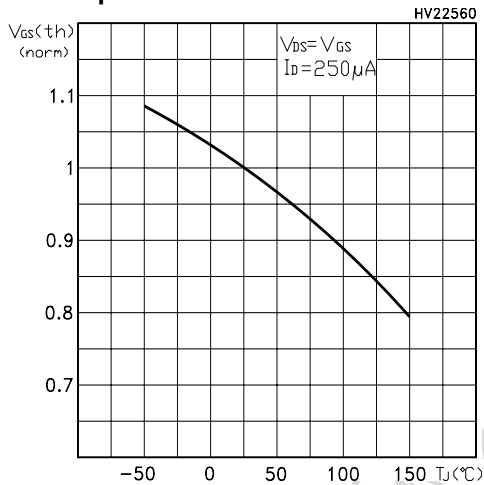


Figure 11: Dource-Drain Diode Forward Characteristics

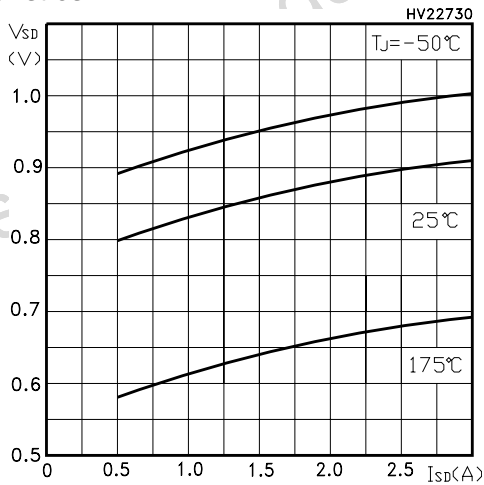


Figure 12: Capacitance Variations

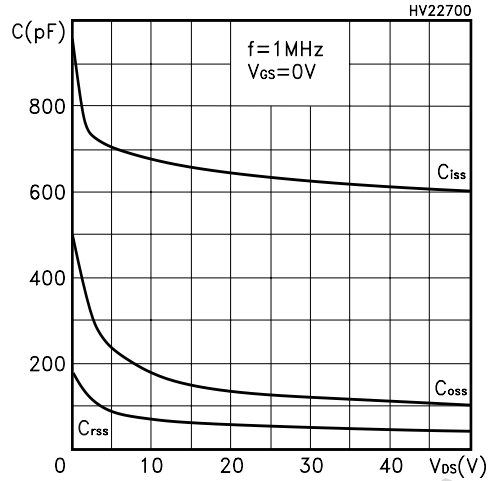


Figure 13: Normalized On Resistance vs Temperature

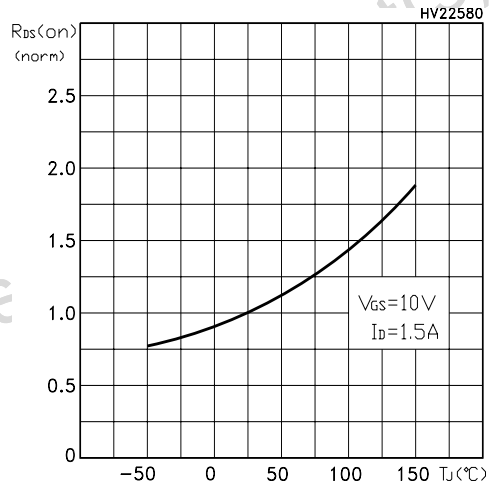


Figure 14: Normalized Breakdown Voltage vs Temperature

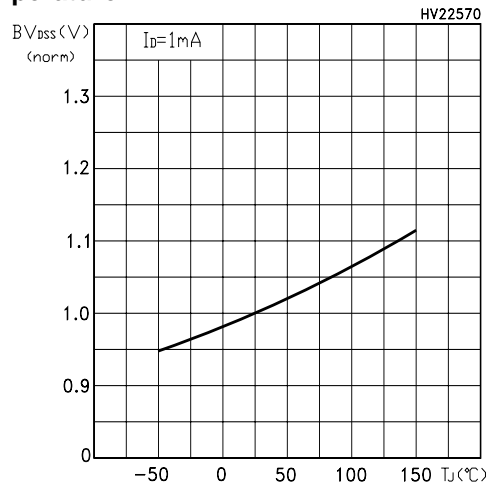


Figure 15: Unclamped Inductive Load Test Circuit

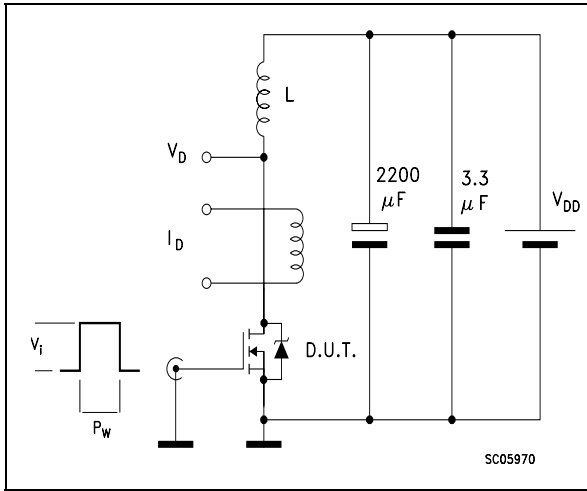


Figure 16: Switching Times Test Circuit For Resistive Load

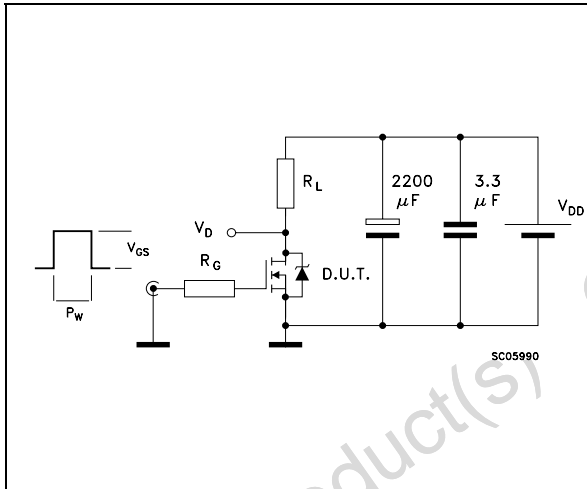


Figure 17: Test Circuit For Inductive Load Switching and Diode Recovery Times

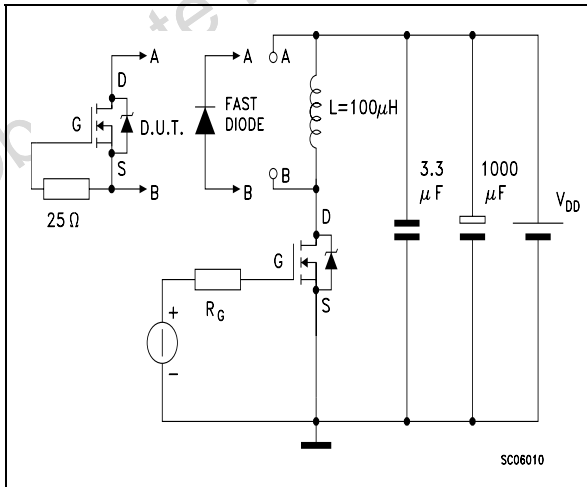


Figure 18: Unclamped Inductive Waferform

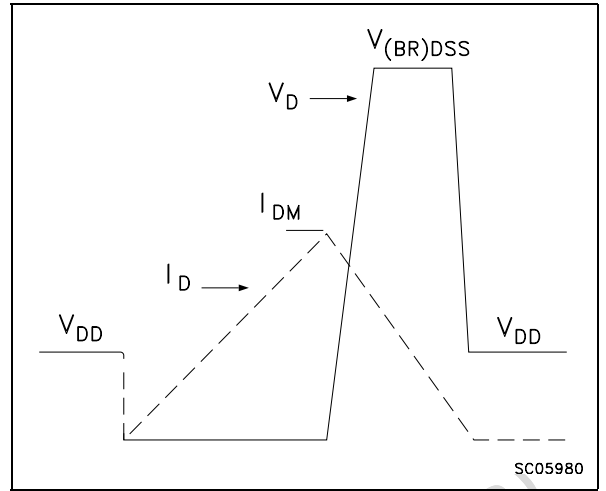
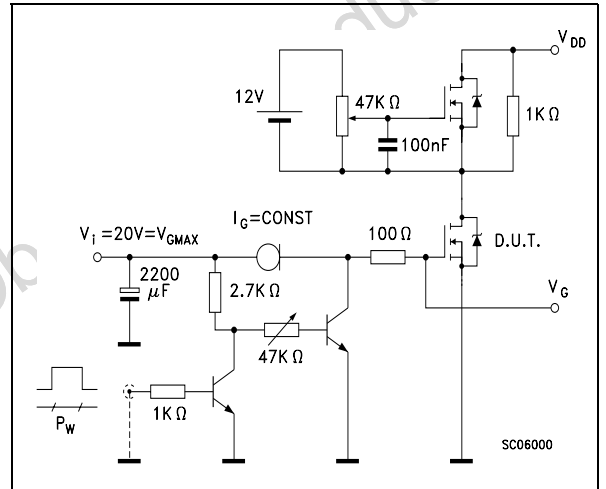
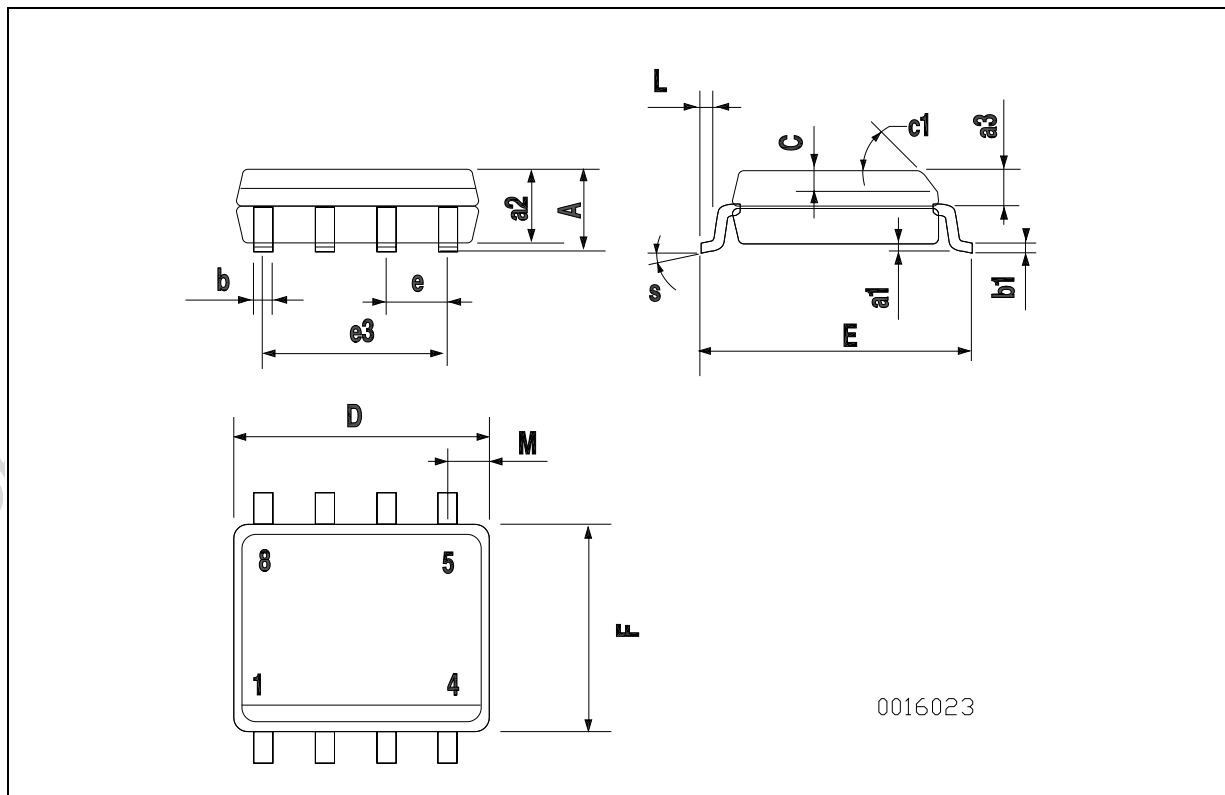


Figure 19: Gate Charge Test Circuit



**SO-8 MECHANICAL DATA**

DIM.	mm.			inch		
	MIN.	TYP	MAX.	MIN.	TYP.	MAX.
A			1.75			0.068
a1	0.1		0.25	0.003		0.009
a2			1.65			0.064
a3	0.65		0.85	0.025		0.033
b	0.35		0.48	0.013		0.018
b1	0.19		0.25	0.007		0.010
C	0.25		0.5	0.010		0.019
c1	45 (typ.)					
D	4.8		5.0	0.188		0.196
E	5.8		6.2	0.228		0.244
e		1.27			0.050	
e3		3.81			0.150	
F	3.8		4.0	0.14		0.157
L	0.4		1.27	0.015		0.050
M			0.6			0.023
S	8 (max.)					



**Table 8: Revision History**

Date	Revision	Description of Changes
16-Sep-2004	1	New release.

Obsolete Product(s) - Obsolete Product(s)



Information furnished is believed to be accurate and reliable. However, STMicroelectronics assumes no responsibility for the consequences of use of such information nor for any infringement of patents or other rights of third parties which may result from its use. No license is granted by implication or otherwise under any patent or patent rights of STMicroelectronics. Specifications mentioned in this publication are subject to change without notice. This publication supersedes and replaces all information previously supplied. STMicroelectronics products are not authorized for use as critical components in life support devices or systems without express written approval of STMicroelectronics.

The ST logo is a registered trademark of STMicroelectronics

All other names are the property of their respective owners

© 2004 STMicroelectronics - All Rights Reserved

STMicroelectronics group of companies

Australia - Belgium - Brazil - Canada - China - Czech Republic - Finland - France - Germany - Hong Kong - India - Israel - Italy - Japan - Malaysia - Malta - Morocco - Singapore - Spain - Sweden - Switzerland - United Kingdom - United States of America