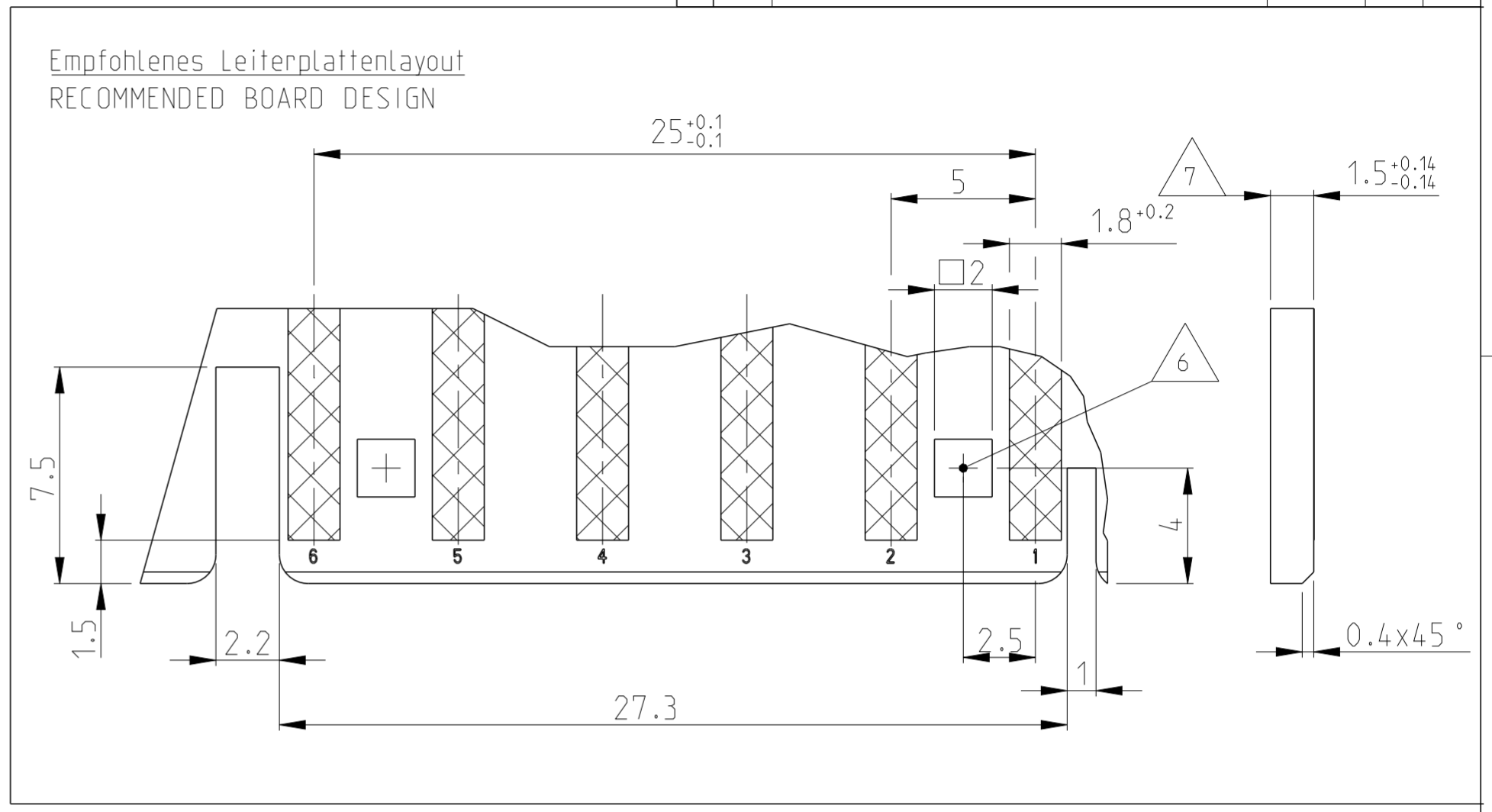
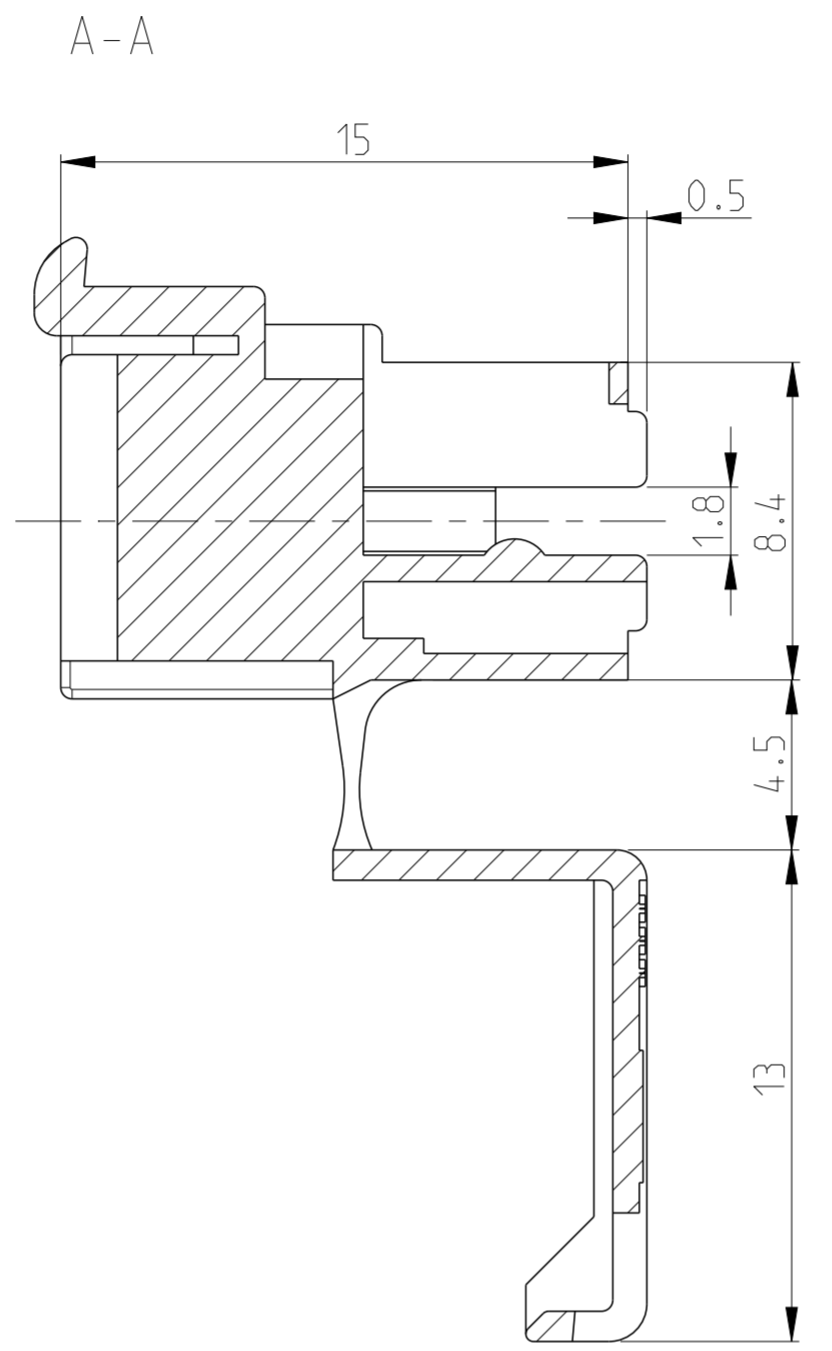
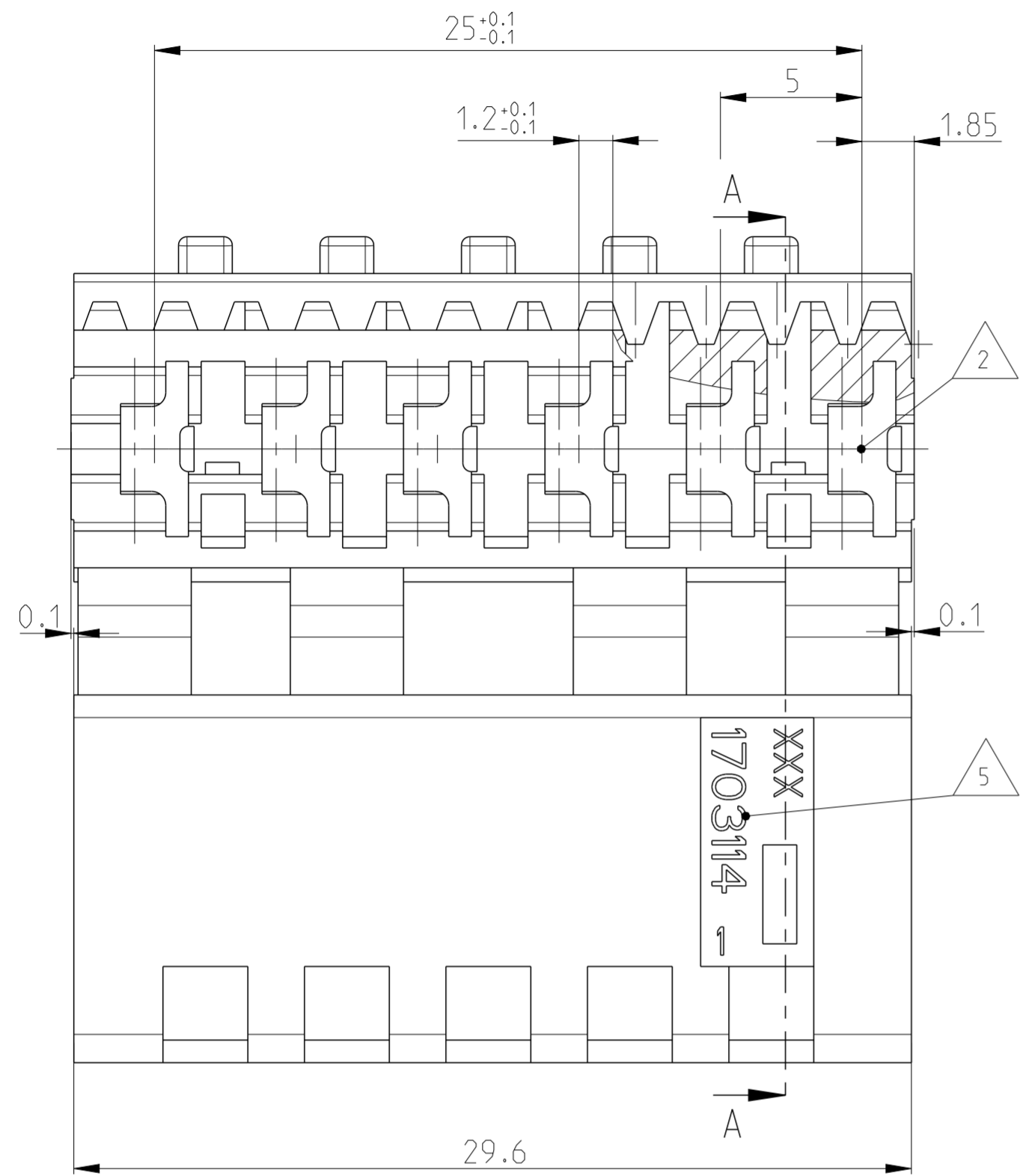


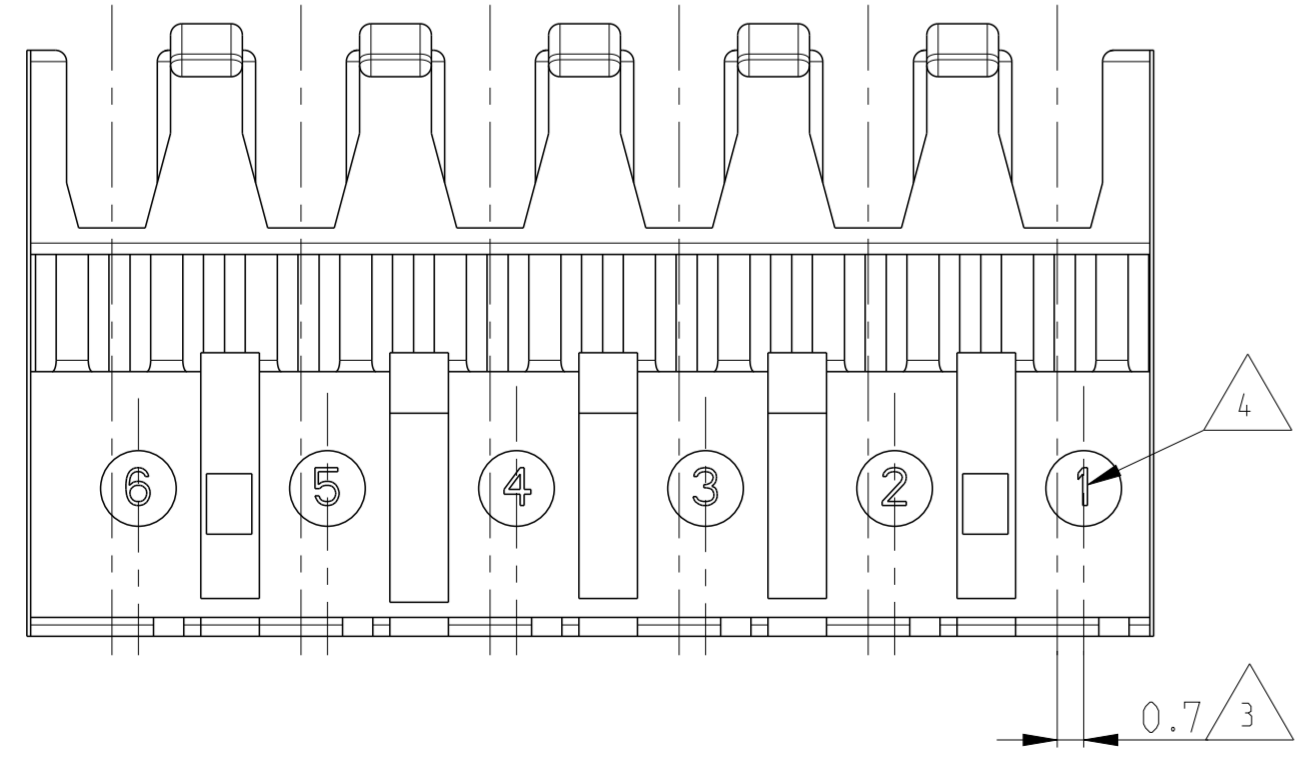
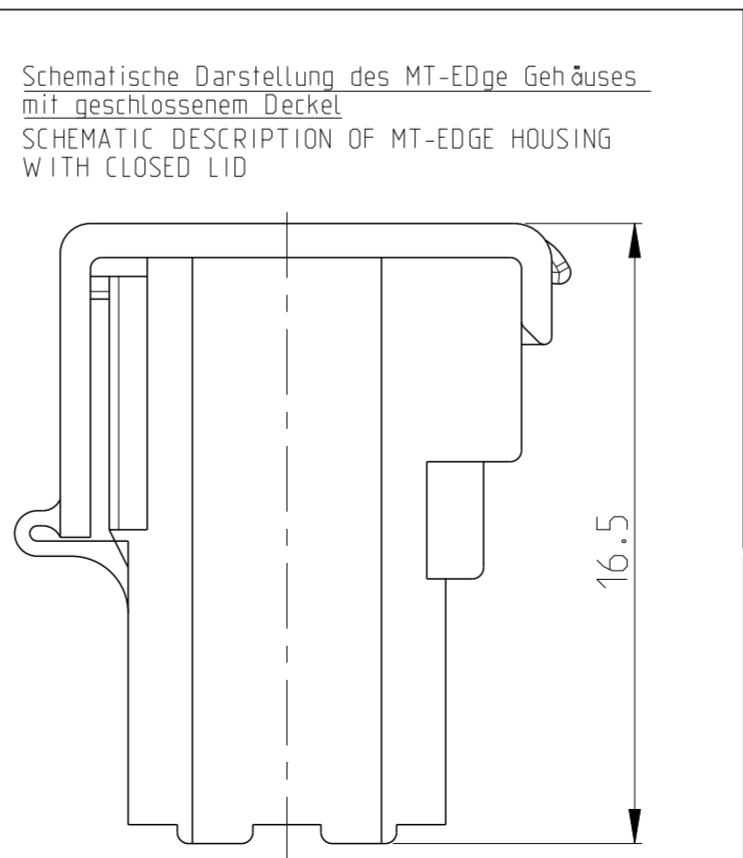
THIS DRAWING IS UNPUBLISHED. RELEASED FOR PUBLICATION 2003
 © COPYRIGHT 2003 ALL RIGHTS RESERVED.

LOC	DIST	REVISIONS			
P	LTR	DESCRIPTION	DATE	DWN	APVD
B		ECR-12-002845	16APR2012	MDK	RRP
B1		ECR-13-010494	08JUL2013	MKD	RRP



Bemerkungen
NOTES

- 1 Massgebend ist der deutsche Text
ONLY THE GERMAN-LANGUAGE VERSION SHALL BE BINDING
- 2 Lage des Kontaktpunktes auf der Leiterplatte; Abweichung ±0.4
POSITION OF CONTACT POINT ON BOARD; DEVIATION ±0.4
- 3 Kontaktierung zur Drahtmitte um 0.7mm versetzt
CONTACTING 0.7mm DISPLACED TO WIRE CENTRELINE
- 4 Kontaktkammer-Nr.
CONTACT CAVITY #
- 5 Firmenlogo und Leergehäuse-Nr.
ARTWORK LOGO AND HOUSING # (NON LOADED)
- 6 Vierkantloch 2x2 mm wahlweise Rastloch Ø2.5 mm
SQUARE HOLE 2x2 mm OPTIONAL LOCKING HOLE Ø2.5mm
- 7 Ausführung nach DIN 60249-2-4
BOARD DESIGN ACCORDING TO DIN 60249-2-4
- 8 Crimp Kontakt-Nr.:
Material: CuSn4 926770-1, 926917-1
CRIMP CONTACT #:
MATERIAL: CuSn4



1703114-1	MT-EDGE HOUSING	NATURE
PART-NO.:	DESCRIPTION	COLOUR

THIS DRAWING IS A CONTROLLED DOCUMENT.		DWN MAHNKE, B. 22SEP2004	TE Connectivity	
DIMENSIONS: mm		CHK STREDAK, F. 20DEC2004		
TOLERANCES UNLESS OTHERWISE SPECIFIED:		APVD BLEICHER, M. 21DEC2004	NAME 6 POS. MT-EDGE HOUSING RAST 5mm	
0 PLC ±	±0.2mm	PRODUCT SPEC 108-18003	SIZE CAGE CODE DRAWING NO RESTRICTED TO	
1 PLC ±	±	APPLICATION SPEC 114-18002	SCALE 5:1 SHEET 1 OF 1 REV B1	
2 PLC ±	±	WEIGHT 2.964 g		
3 PLC ±	±	CUSTOMER DRAWING		
4 PLC ±	±°			
ANGLES FINISH				
MATERIAL PA6.6 / UL94V-2				