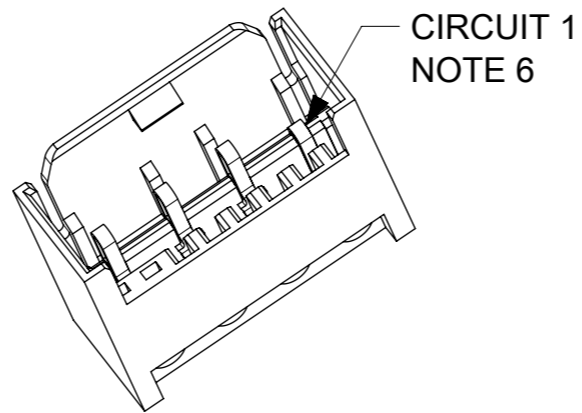
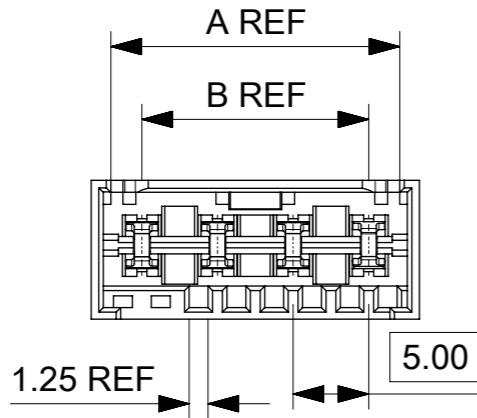
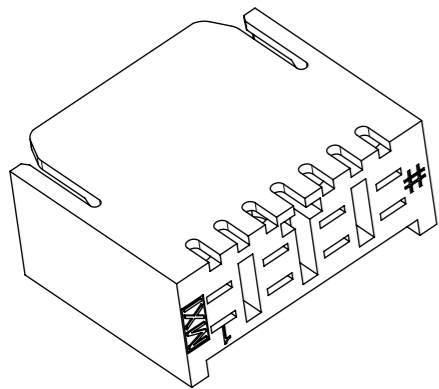
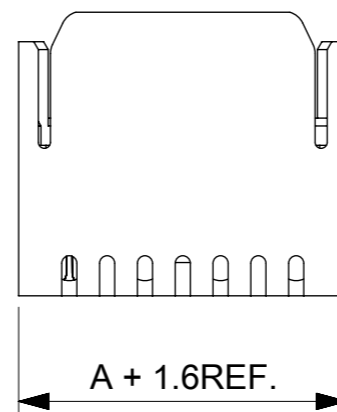
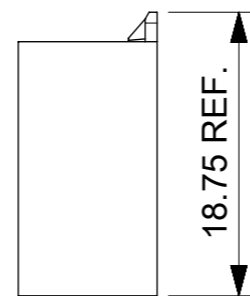
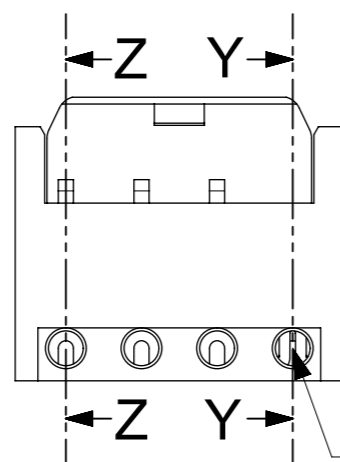
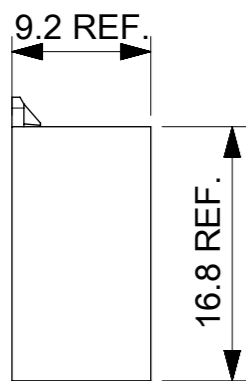


4 CIRCUIT CONNECTOR SHOWN



CKT	DIM A	DIM B	DIM C
2	10.1	5.0	9.2
3	15.1	10.0	11.7
4	20.1	15.0	14.2
5	25.1	20.0	16.7
6	30.1	25.0	19.2
7	35.1	30.0	21.7
8	40.1	35.0	24.2
9	45.1	40.0	26.7

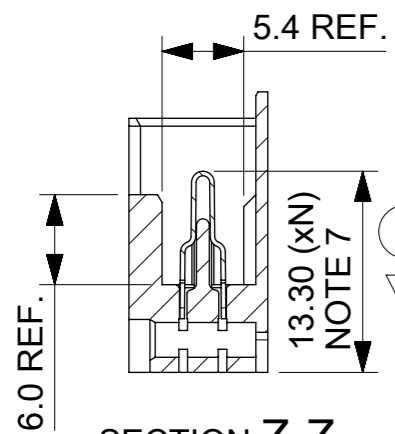


CIRCUIT 1
NOTE 6

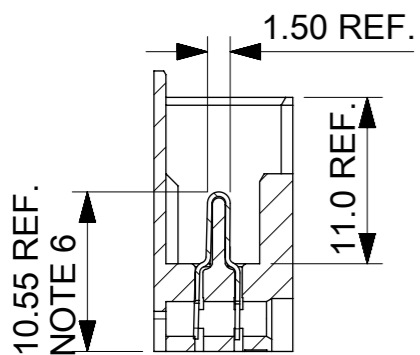
NOTES:

- MATERIALS
HOUSING: POLYAMIDE 6 (PA6)
UL94-V2. COLOUR NATURAL
TERMINAL: COPPER ALLOY
PLATING: PRE-PLATED HOT TIN DIP.
- PRODUCT CONFORMS TO SPECIFICATION PS-99020-0090.
- MATES WITH RAST 2.5 APPLIMATE FEMALE CONNECTORS.
- SEE PACKAGING SPECIFICATION PK-93422-001
- CONNECTOR DESIGNED TO RAST 2.5 STANDARD.
- TERMINATED HEIGHT. CIRCUIT 1 SHOWN IN TERMINATED POSITION ONLY FOR PURPOSE OF DIMENSIONING TERMINATED HEIGHT POSITION.
- TERMINAL PRE-TERMINATED HEIGHT. N=NUMBER OF CIRCUITS.
- SEE APPLICATION SPECIFICATION AS-99033-010.
- CONNECTOR DESIGNED TO RAST 2.5 STANDARD.

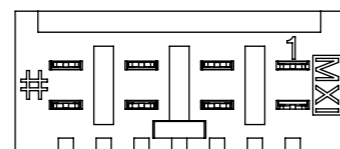
LAST INSPECTION NUMBER: 1



SECTION Z-Z



SECTION Y-Y



THIS DRAWING CONTAINS INFORMATION THAT IS PROPRIETARY TO MOLEX ELECTRONIC TECHNOLOGIES, LLC AND SHOULD NOT BE USED WITHOUT WRITTEN PERMISSION									
DIMENSION UNITS	SCALE	CURRENT REV DESC: DOC TYPE UPDATED							
mm	2:1								
GENERAL TOLERANCES (UNLESS SPECIFIED)									
ANGULAR TOL	± 0.5°	EC NO: 608137 DRWN: AKABADI 2018/11/23 CHK'D: TCLEARY 2018/12/10 APPR: DRYAN 2018/12/11							
4 PLACES	±	INITIAL REVISION: DRWN: TJMURPHY 2016/03/10 APPR: BRUTTLE 2016/06/13							
3 PLACES	±								
2 PLACES	± 0.05	DOCUMENT NUMBER				DOC TYPE DOC PART REVISION			
1 PLACE	± 0.1	934270001				PSD 000 D			
0 PLACES	±	DRAFT WHERE APPLICABLE MUST REMAIN WITHIN DIMENSIONS		THIRD ANGLE PROJECTION	DRAWING	SERIES	MATERIAL NUMBER	CUSTOMER	SHEET NUMBER
					A3-SIZE	93427	SEE CHARTS	GENERAL MARKET	1 OF 2

2 Circuit			
MOLEX PART NO.	MOLEX HSG PART NO.	BLOCKED POSITION KEYS	CONFIGURATION (SEE NOTES)
93427-0001	93430-0201	NONE	

5 Circuit			
MOLEX PART NO.	MOLEX HSG PART NO.	BLOCKED POSITION KEYS	CONFIGURATION (SEE NOTES)
93427-3001	93430-0501	NONE	

7 Circuit			
MOLEX PART NO.	MOLEX HSG PART NO.	BLOCKED POSITION KEYS	CONFIGURATION (SEE NOTES)
93427-5001	93430-0701	NONE	

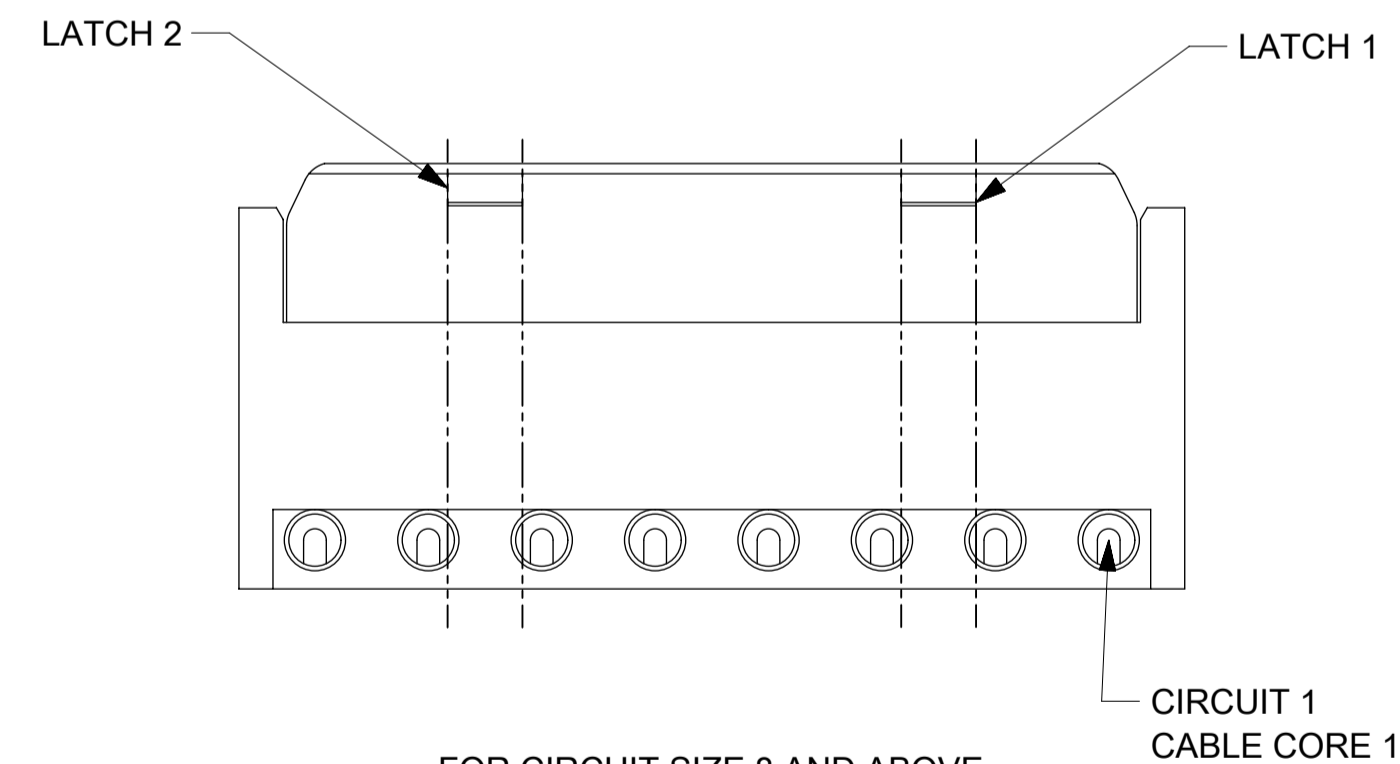
3 Circuit			
MOLEX PART NO.	MOLEX HSG PART NO.	BLOCKED POSITION KEYS	CONFIGURATION (SEE NOTES)
93427-1001	93430-0301	NONE	

6 Circuit			
MOLEX PART NO.	MOLEX HSG PART NO.	BLOCKED POSITION KEYS	CONFIGURATION (SEE NOTES)
93427-4001	93430-0601	NONE	

8 Circuit			
MOLEX PART NO.	MOLEX HSG PART NO.	BLOCKED POSITION KEYS	CONFIGURATION (SEE NOTES)
93427-6001	93430-0801	NONE	

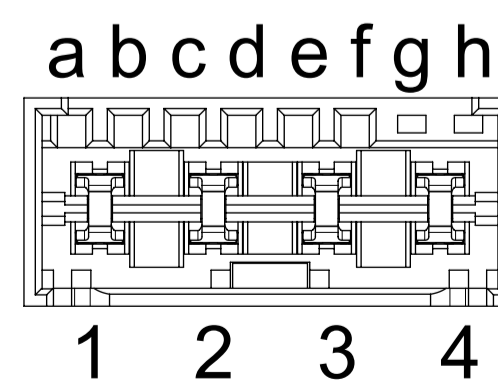
4 Circuit				
MOLEX PART NO.	MOLEX HSG PART NO.	BLOCKED POSITION KEYS	CONFIGURATION (SEE NOTES)	CUSTOMER SPECIFIED VOIDED TERMINALS
93427-2001	93430-0401	NONE		NONE
93427-2002	93430-0401	NONE		2

9 Circuit			
MOLEX PART NO.	MOLEX HSG PART NO.	BLOCKED POSITION KEYS	CONFIGURATION (SEE NOTES)
93427-7001	93430-0901	NONE	

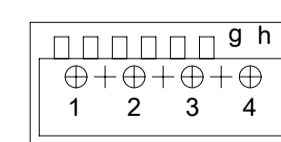


LATCH 2 POSITION BETWEEN CABLE CORES	LATCH 1 POSITION BETWEEN CABLE CORES	CIRCUIT SIZE
4 & 5	11 & 12	15
4 & 5	10 & 11	14
3 & 4	10 & 11	13
3 & 4	9 & 10	12
3 & 4	8 & 9	11
2 & 3	8 & 9	10
2 & 3	7 & 8	9
2 & 3	6 & 7	8

FOR CIRCUIT SIZE 8 AND ABOVE
2 LATCHES ARE PRESENT.
SEE TABLE BELOW FOR POSITION OF LATCHES



CODING EXAMPLE
(4ct EXAMPLE SHOWN WITH KEYS g AND h BLOCKED)
VIEW IN MATING DIRECTION



NOTES:

- ⊕ DENOTES LOADED TERMINAL POSITION
+ DENOTES VOIDED TERMINAL POSITION
- MOLEX HOUSING NUMBER FOR REFERENCE ONLY

THIS DRAWING CONTAINS INFORMATION THAT IS PROPRIETARY TO MOLEX ELECTRONIC TECHNOLOGIES, LLC AND SHOULD NOT BE USED WITHOUT WRITTEN PERMISSION				
DIMENSION UNITS mm	SCALE 1:1	CURRENT REV DESC: DOC TYPE UPDATED		
GENERAL TOLERANCES (UNLESS SPECIFIED)		 WIRE TO WIRE HEADER ASSEMBLY FLYING HEADER 5MM PITCH 0.5MM2 CABLE PRODUCT CUSTOMER DRAWING		
ANGULAR TOL	± 0.5°			EC NO: 608137
4 PLACES	±			DRWN: AKABADI 2018/11/23
3 PLACES	±			CHK'D: TCLEARY 2018/12/10
2 PLACES	± 0.05			APPR: DRYAN 2018/12/11
1 PLACE	± 0.1	INITIAL REVISION:		
0 PLACES	±	DRWN: TJMURPHY 2016/03/10	2016/06/13	
DRAFT WHERE APPLICABLE MUST REMAIN WITHIN DIMENSIONS		THIRD ANGLE PROJECTION	DRAWING	
			A1-SIZE	
		SERIES	93427	
		MATERIAL NUMBER	SEE CHARTS	
		CUSTOMER	GENERAL MARKET	
		DOCUMENT NUMBER	934270001	
		DOC TYPE	PSD	
		DOC PART	000	
		REVISION	D	
		SHEET NUMBER		
		2 OF 2		