

# 100316

## Low Power Quad Differential Line Driver with Cut-Off

### General Description

The 100316 is a quad differential line driver with output cut-off capability. The outputs are designed to drive a doubly terminated 50Ω transmission line (25Ω equivalent impedance) in an ECL backplane. The 100316 is ideal for driving low noise, differential ECL backplanes. A LOW on the output enable (OE) will set both the true and complementary outputs into a high impedance or cut-off state, isolating them from the backplane. The cut-off state is designed to be more negative than a normal ECL LOW state.

Unlike most 100K devices, the data inputs ( $D_n, \bar{D}_n$ ) do not have input pull-down resistors. An internal reference supply ( $V_{BB}$ ) is available for single-ended operation.

### Features

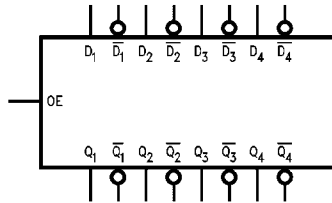
- Differential inputs and outputs
- Output cut-off capability
- Drives 25Ω load
- $V_{BB}$  available for single-ended operation
- 2000V ESD protection
- Voltage compensated operating range = -4.2V to -5.7V
- Available to industrial grade temperature range

### Ordering Code:

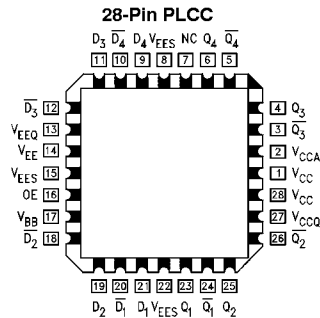
Order Number	Package Number	Package Description
100316QC	V28A	28-Lead Plastic Lead Chip Carrier (PLCC), JEDEC MO-047, 0.450 Square
100316QI	V28A	28-Lead Plastic Lead Chip Carrier (PLCC), JEDEC MO-047, 0.450 Square Industrial Temperature Range (-40°C to +85°C)

Devices also available in Tape and Reel. Specify by appending the suffix letter "X" to the ordering code.

### Logic Symbol



### Connection Diagram



### Pin Descriptions

Pin Names	Description
$D_n$	Data Inputs
$Q_n$	Data Outputs
$\bar{Q}_n$	Complementary Data Outputs
OE	Output Enable

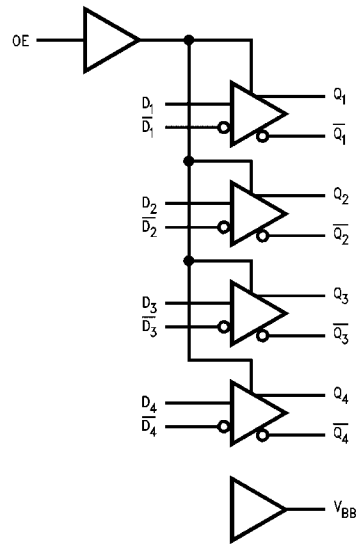
100316

**Truth Table**

Inputs			Outputs	
$D_n$	$\overline{D}_n$	OE	$Q_n$	$\overline{Q}_n$
L	H	H	L	H
H	L	H	H	L
X	X	L	Cut-Off	Cut-Off

H = HIGH Voltage Level  
 L = LOW Voltage Level  
 X = Don't Care  
 Cut-Off = Lower-than-LOW State

**Logic Diagram**



**Absolute Maximum Ratings** (Note 1)

Storage Temperature ( $T_{STG}$ )	-65°C to +150°C
Maximum Junction Temperature ( $T_J$ )+150°C	
Pin Potential to Ground Pin ( $V_{EE}$ )	-7.0V to 0.5V
Input Voltage (DC)	$V_{EE}$ to +0.5V
Output Current (DC Output HIGH)	-100 mA
ESD (Note 2)	≥2000V

**Recommended Operating Conditions**

Case Temperature ( $T_C$ )	Commercial	0°C to +85°C
	Industrial	-40°C to +85°C
Supply Voltage ( $V_{EE}$ )		-5.7V to -4.2V

**Note 1:** The "Absolute Maximum Ratings" are those values beyond which the safety of the device cannot be guaranteed. The device should not be operated at these limits. The parametric values defined in the Electrical Characteristics tables are not guaranteed at the absolute maximum rating. The "Recommended Operating Conditions" table will define the conditions for actual device operation.

**Note 2:** ESD testing conforms to MIL-STD-883, Method 3015.

**Commercial Version****DC Electrical Characteristics** (Note 3)

$V_{EE} = -4.2V$  to  $-5.7V$ ,  $V_{CC} = V_{CCA} = GND$ ,  $T_C = 0^\circ C$  to  $+85^\circ C$

Symbol	Parameter	Min	Typ	Max	Units	Conditions
$V_{OH}$	Output HIGH Voltage	-1025	-955	-870	mV	$V_{IN} = V_{IH} (Max)$ Loading with 25Ω to -2.0V
$V_{OL}$	Output LOW Voltage	-1830	-1705	-1620	mV	or $V_{IL} (Min)$
$V_{OHC}$	Output HIGH Voltage	-1035			mV	$V_{IN} = V_{IH} (Min)$ Loading with 25Ω to -2.0V
$V_{OLC}$	Output LOW Voltage			-1610	mV	or $V_{IL} (Max)$
$V_{OLZ}$	Cut-Off LOW Voltage			-1950	mV	$V_{IN} = V_{IH} (Min)$ or $V_{IL} (Max)$ OE = LOW
$V_{BB}$	Output Reference Voltage	-1380	-1320	-1260	mV	$I_{VBB} = -1$ mA
$V_{DIFF}$	Input Voltage Differential	150			mV	Required for Full Output Swing
$V_{CM}$	Common Mode Voltage	$V_{CC} - 2.0$		$V_{CC} - 0.5$	V	
$V_{IH}$	Single-Ended Input HIGH Voltage	-1110		-870	mV	Guaranteed HIGH Signal for All Inputs (with one input tied to $V_{BB}$ ) $V_{BB} (Max) + V_{DIFF}$
$V_{IL}$	Single-Ended Input LOW Voltage	-1830		-1530	mV	Guaranteed LOW Signal for All Inputs (with one input tied to $V_{BB}$ ) $V_{BB} (Min) - V_{DIFF}$
$I_{IL}$	Input LOW Current	0.50			μA	$V_{IN} = V_{IL} (Min)$
$I_{IH}$	Input HIGH Current $D_N$			250	μA	$V_{IN} = V_{IH} (Max)$ , $D_1 = V_{BB}$ , $\overline{D}_1 = V_{IL} (Min)$
$I_{IHZ}$	Input HIGH Current OE			360	μA	$V_{IN} = V_{IH} (Max)$ , $D_1 = V_{BB}$ , $\overline{D}_1 = V_{IL} (Min)$
$I_{CBO}$	Input Leakage Current	-10			μA	$V_{IN} = V_{EE}$ , $D_1 = V_{BB}$ , $\overline{D}_1 = V_{IL} (Min)$
$I_{EE}$	Power Supply Current, Normal	-85		-30	mA	$D_1 = V_{BB}$ , $\overline{D}_1 = V_{IL} (Min)$
$I_{EEZ}$	Power Supply Current, Cut-Off	-152		-75	mA	$D_1 - D_4 = V_{BB}$ , $\overline{D}_1 - \overline{D}_4 = V_{IL} (Min)$ , OE = LOW

**Note 3:** The specified limits represent the "worst case" value for the parameter. Since these values normally occur at the temperature extremes, additional noise immunity and guardbanding can be achieved by decreasing the allowable system operating ranges. Conditions for testing shown in the tables are chosen to guarantee operation under "worst case" conditions.

**AC Electrical Characteristics**

$V_{EE} = -4.2V$  to  $-5.7V$ ,  $V_{CC} = V_{CCA} = GND$

Symbol	Parameter	$T_C = 0^\circ C$		$T_C = +25^\circ C$		$T_C = +85^\circ C$		Units	Conditions
		Min	Max	Min	Max	Min	Max		
$t_{PLH}$	Propagation Delay	0.65	2.10	0.65	2.10	0.65	2.10	ns	Figures 1, 2
$t_{PHL}$	Data to Output								
$t_{PZH}$	Propagation Delay	1.8	4.00	1.8	4.00	1.8	4.00		
$t_{PHZ}$	OE to Output	1.2	2.90	1.2	2.90	1.2	2.90		
$t_{TLH}$	Transition Time, $D_n$ to $Q_n$	0.45	1.50	0.45	1.50	0.45	1.50	ns	
$t_{THL}$	20% to 80%, 80% to 20%								

## Industrial Version

## DC Electrical Characteristics (Note 4)

 $V_{EE} = -4.2V$  to  $-5.7V$ ,  $V_{CC} = V_{CCA} = GND$ 

Symbol	Parameter	$T_C = -40^\circ C$		$T_C = 0^\circ C$ to $+85^\circ C$		Units	Conditions
		Min	Max	Min	Max		
$V_{OH}$	Output HIGH Voltage	-1085	-870	-1025	-870	mV	$V_{IN} = V_{IH} (Max)$ Loading with $25\Omega$ to $-2.0V$
$V_{OL}$	Output LOW Voltage	-1830	-1585	-1830	-1620	mV	or $V_{IL} (Min)$
$V_{OHC}$	Output HIGH Voltage	-1095		-1035		mV	$V_{IN} = V_{IH} (Min)$ Loading with $25\Omega$ to $-2.0V$
$V_{OLC}$	Output LOW Voltage		-1575		-1610	mV	or $V_{IL} (Max)$
$V_{OLZ}$	Cut-Off LOW Voltage		-1900		-1950	mV	OE = LOW, $V_{IN} = V_{IH} (Min)$ or $V_{IL} (Max)$
$V_{BB}$	Output Reference Voltage	-1395	-1255	-1380	-1260	mV	$I_{VBB} = -1$ mA
$V_{DIFF}$	Input Voltage Differential	150		150		mV	Required for Full Output Swing
$V_{CM}$	Common Mode Voltage	$V_{CC} - 2.0$	$V_{CC} - 0.5$	$V_{CC} - 2.0$	$V_{CC} - 0.5$	V	
$V_{IH}$	Single-Ended Input HIGH Voltage	-1115	-870	-1110	-870	mV	Guaranteed HIGH Signal for All Inputs (with one input tied to $V_{BB}$ ) $V_{BB} (Max) + V_{DIFF}$
$V_{IL}$	Single-Ended Input LOW Voltage	-1830	-1535	-1830	-1530	mV	Guaranteed LOW Signal for All Inputs (with one input tied to $V_{BB}$ ) $V_{BB} (Min) - V_{DIFF}$
$I_{IL}$	Input LOW Current	0.50		0.50		$\mu A$	$V_{IN} = V_{IL} (Min)$
$I_{IH}$	Input HIGH Current, $D_N$		240		240	$\mu A$	$V_{IN} = V_{IH} (Max)$ , $D_1 = V_{BB}$
$I_{IHZ}$	Input HIGH Current, OE		360		360	$\mu A$	$\overline{D}_1 = V_{IL} (Min)$
$I_{CBO}$	Input Leakage Current	-10		-10		$\mu A$	$V_{IN} = V_{EE}$ , $D_1 = V_{BB}$ $\overline{D}_1 = V_{IL} (Min)$
$I_{EE}$	Power Supply Current, Normal	-85	-30	-85	-30	mA	$D_1 = V_{BB}$ , $\overline{D}_1 = V_{IL} (Min)$
$I_{EEZ}$	Power Supply Current, Cut-Off	-152	-75	-152	-75	mA	$D_1 - D_4 = V_{BB}$ , $\overline{D}_1 - \overline{D}_4 = V_{IL} (Min)$ , OE = LOW

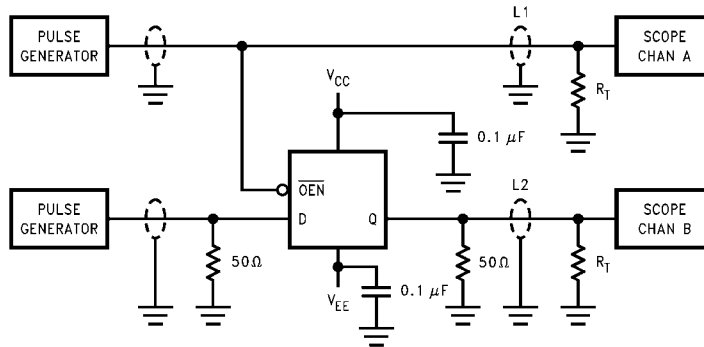
**Note 4:** The specified limits represent the "worst case" value for the parameter. Since these values normally occur at the temperature extremes, additional noise immunity and guardbanding can be achieved by decreasing the allowable system operating ranges. Conditions for testing shown in the tables are chosen to guarantee operation under "worst case" conditions.

## AC Electrical Characteristics

 $V_{EE} = -4.2V$  to  $-5.7V$ ,  $V_{CC} = V_{CCA} = GND$ 

Symbol	Parameter	$T_C = -40^\circ C$		$T_C = +25^\circ C$		$T_C = +85^\circ C$		Units	Conditions
		Min	Max	Min	Max	Min	Max		
$t_{PLH}$	Propagation Delay	0.65	2.10	0.65	2.10	0.65	2.10	ns	Figures 1Figure 2
$t_{PHL}$	Data to Output								
$t_{PZH}$	Propagation Delay	1.80	4.00	1.80	4.00	1.80	4.00	ns	
$t_{PHZ}$	OE to Output	1.20	2.90	1.20	2.90	1.20	2.90	ns	
$t_{TLH}$	Transition Time	0.45	1.50	0.45	1.50	0.45	1.50	ns	
$t_{THL}$	20% to 80%, 80% to 20%								

### Test Circuitry



**Notes:**

- $V_{CC}, V_{CCA} = +2V, V_{EE} = -2.5V$
- L1 and L2 = equal length 50Ω impedance lines
- $R_T = 50\Omega$  terminator internal to scope
- Decoupling 0.1  $\mu F$  from GND to  $V_{CC}$  and  $V_{EE}$
- All unused outputs are loaded with 25Ω to GND
- $C_L$  = Fixture and stray capacitance  $\leq 3$  pF

FIGURE 1. AC Test Circuit

### Switching Waveforms

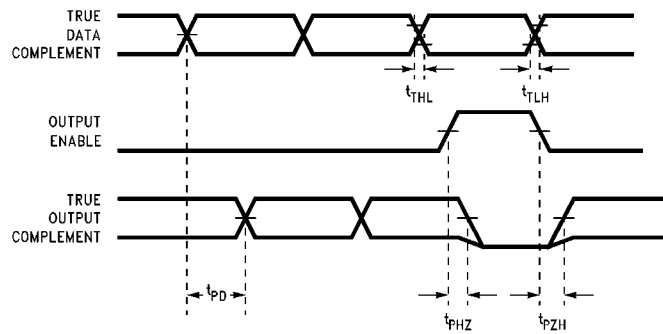
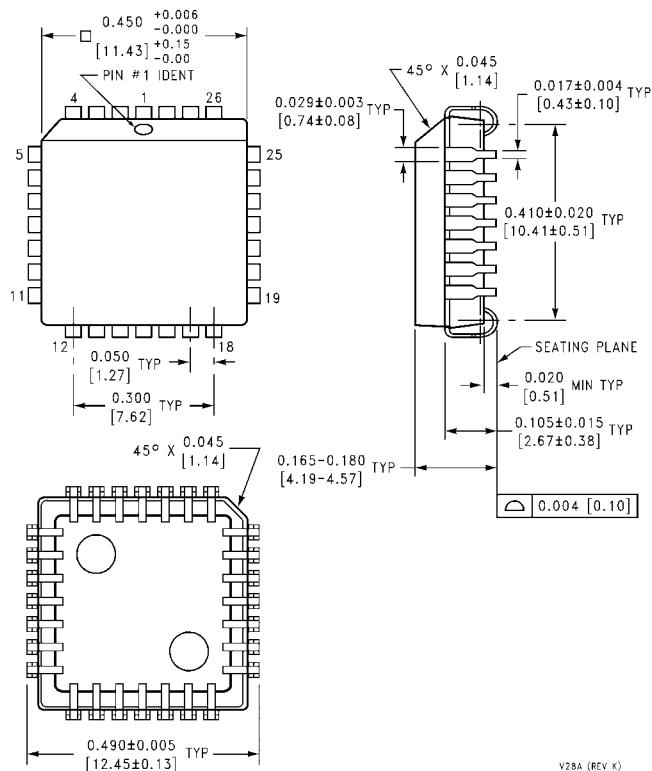


FIGURE 2. Propagation Delay, Cut-Off and Transition Times

**Physical Dimensions** inches (millimeters) unless otherwise noted



**28-Lead Plastic Lead Chip Carrier (PLCC), JEDEC MO-047, 0.450 Square Package Number V28A**

Fairchild does not assume any responsibility for use of any circuitry described, no circuit patent licenses are implied and Fairchild reserves the right at any time without notice to change said circuitry and specifications.

**LIFE SUPPORT POLICY**

FAIRCHILD'S PRODUCTS ARE NOT AUTHORIZED FOR USE AS CRITICAL COMPONENTS IN LIFE SUPPORT DEVICES OR SYSTEMS WITHOUT THE EXPRESS WRITTEN APPROVAL OF THE PRESIDENT OF FAIRCHILD SEMICONDUCTOR CORPORATION. As used herein:

1. Life support devices or systems are devices or systems which, (a) are intended for surgical implant into the body, or (b) support or sustain life, and (c) whose failure to perform when properly used in accordance with instructions for use provided in the labeling, can be reasonably expected to result in a significant injury to the user.
2. A critical component in any component of a life support device or system whose failure to perform can be reasonably expected to cause the failure of the life support device or system, or to affect its safety or effectiveness.

[www.fairchildsemi.com](http://www.fairchildsemi.com)