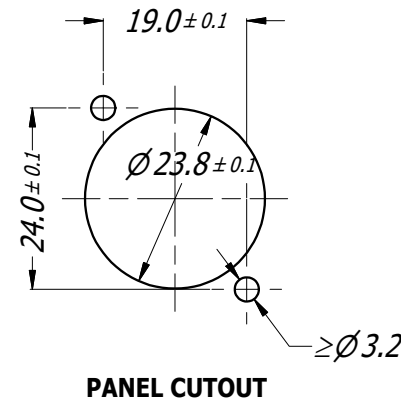


3D VIEW
1:1



PATENTS AND APPLICATIONS :

US 10823914B2
 EP 3514892B1
 JP 6705027B2
 DE 102018101431A1
 HK 40009428A
 CN 110071397A
 EP 3641070A1

NOTES:
 - USE SCREW #4 OR M3
 - SCREW TORQUE: 0.4 N-m (3.5 lb-in) MAX

UNLESS OTHERWISE SPECIFIED TOLERANCE TO BE		THIS DOCUMENT IS THE PROPERTY OF AMPHENOL AUSTRALIA PTY. LTD. NO PART THEREOF MAY BE REPRODUCED AND USED WITHOUT THE PRIOR WRITTEN CONSENT OF THE OWNER.				Amphenol Amphenol Australia Pty.Ltd, 22 Industry Blvd, Carrum Downs VIC 3201	
LINEAR	ANGULAR	MATERIAL: REFER COMPONENTS	DRN:	T.N	DATE:	29/08/16	TITLE: MALE PANEL MOUNT HP SERIES WITH DIVIDER
X ± 0.5	X' ± 1		CKD:	P.M	DATE:	29/08/16	PART No: HPT-3-MD
X.X ± 0.1	X.X' ± 30'	FINISH:	APP'D:	P.M	DATE:	29/08/16	REV 2
X.X ± 0.05	X.X'' ± 15'		DO NOT SCALE	SCALE:	1:1	SIZE:	A4
BREAK ALL SHARP EDGES AND REMOVE ALL BURRS		THIRD ANGLE PROJECTION		DRAWING No. 55011093-000-4		SHEET 3/4	
DIMENSIONS IN MILLIMETRES							