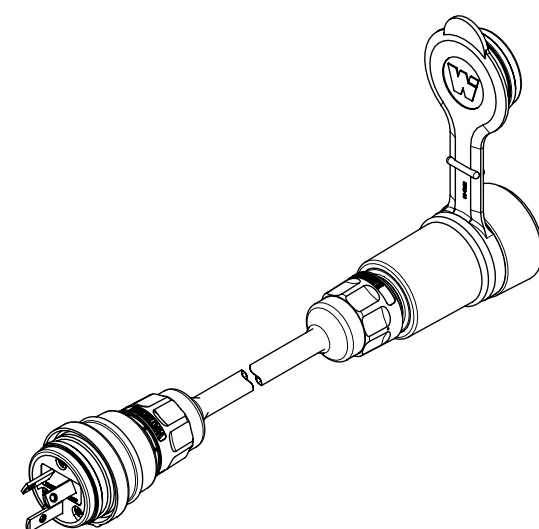
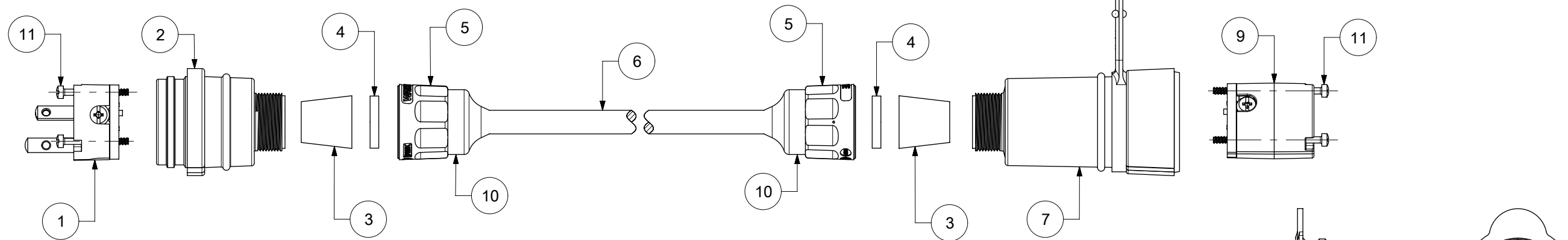
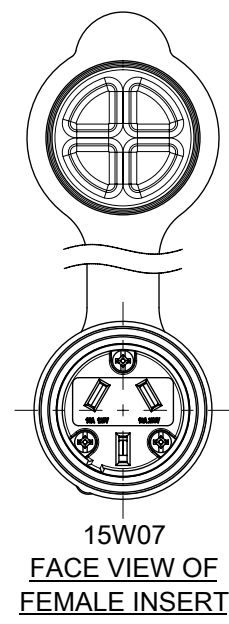
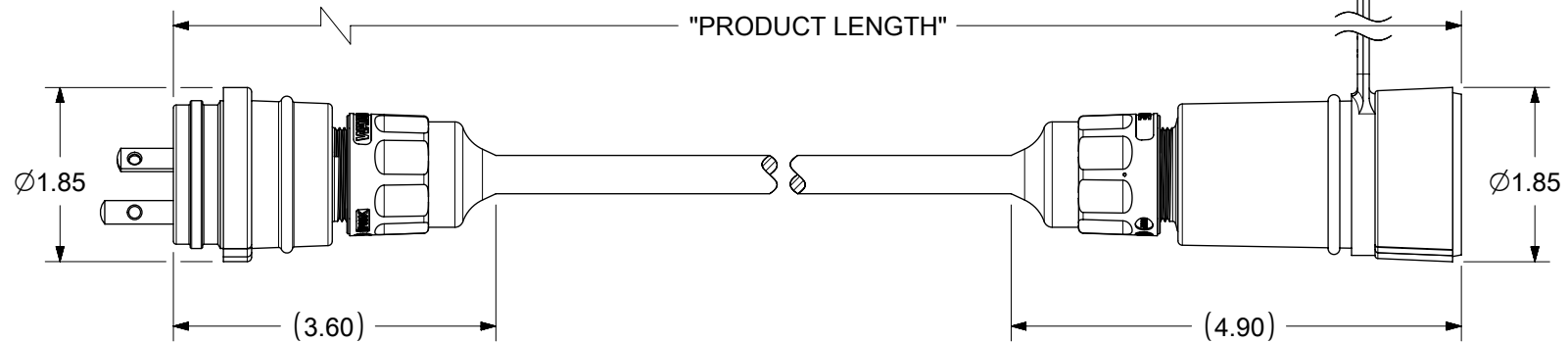
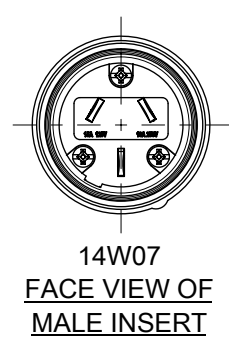


10	9	8	7
MATERIAL NO.	ENGINEERING NO.	DESCRIPTION	PRODUCT LENGTH
1301460016	14W07A163	14W07 W/25 16-3SO 15W07	25 FT +12.0/-0.0 IN

NON-NEMA; 15A/125V 10A/250V; 3-POLE/3-WIRE



ITEM NO.	DESCRIPTION	MATERIAL	QTY.
1	MALE INSERT ASSY.	NYLON, POLYCARBONATE, BRASS PLATING - NICKEL OR ZINC	1
2	WATERTITE - MALE HUSK	SILICONE	1
3	GROMMET	RUBBER	2
4	FRICTION RING	NYLON	2
5	COMPRESSION NUT YELLOW	NYLON	2
6	YELLOW SOOW CORD	COPPER WIRE	1
7	WATERTITE - FEMALE HUSK	SILICONE	1
8	CLOSURE CAP YELLOW	SILICONE	1
9	FEMALE INSERT ASSY.	NYLON, POLYCARBONATE, BRASS PLATING - NICKEL OR ZINC	1
10	CABLE GLOVE	SILICONE	2
11	RETAINING SCREW	STAINLESS STEEL	6



SYMBOLS		THIS DRAWING CONTAINS INFORMATION THAT IS PROPRIETARY TO MOLEX ELECTRONIC TECHNOLOGIES, LLC AND SHOULD NOT BE USED WITHOUT WRITTEN PERMISSION	
▽ = 0	INCH	SCALE	N.T.S.
▽ = 0	GENERAL TOLERANCES (UNLESS SPECIFIED)		CURRENT REV DESC: NEW SALE DRAWING CREATED.
▽ = 0	ANGULAR TOL	±	°
▽ = 0	4 PLACES	±	
▽ = 0	3 PLACES	±	
▽ = 0	2 PLACES	±	
▽ = 0	1 PLACE	±	
▽ = 0	0 PLACES	±	
▽ = 0	DRAFT WHERE APPLICABLE MUST REMAIN WITHIN DIMENSIONS		THIRD ANGLE PROJECTION
EC NO: 620468		DRWN: PPURSUTANDEL	2019/07/10
DRWN: PPURSUTANDEL		CHK'D: DNGUYEN62	2019/08/07
APPR: HKNEELAND		2020/05/19	
INITIAL REVISION:		DRWN: PPURSUTANDEL	2019/07/10
APPR: HKNEELAND		2020/05/19	
DOCUMENT NUMBER		1301460016	DOC TYPE DOC PART REVISION
MATERIAL NUMBER		SEE TABLE	CUSTOMER
SHEET NUMBER		1 OF 1	