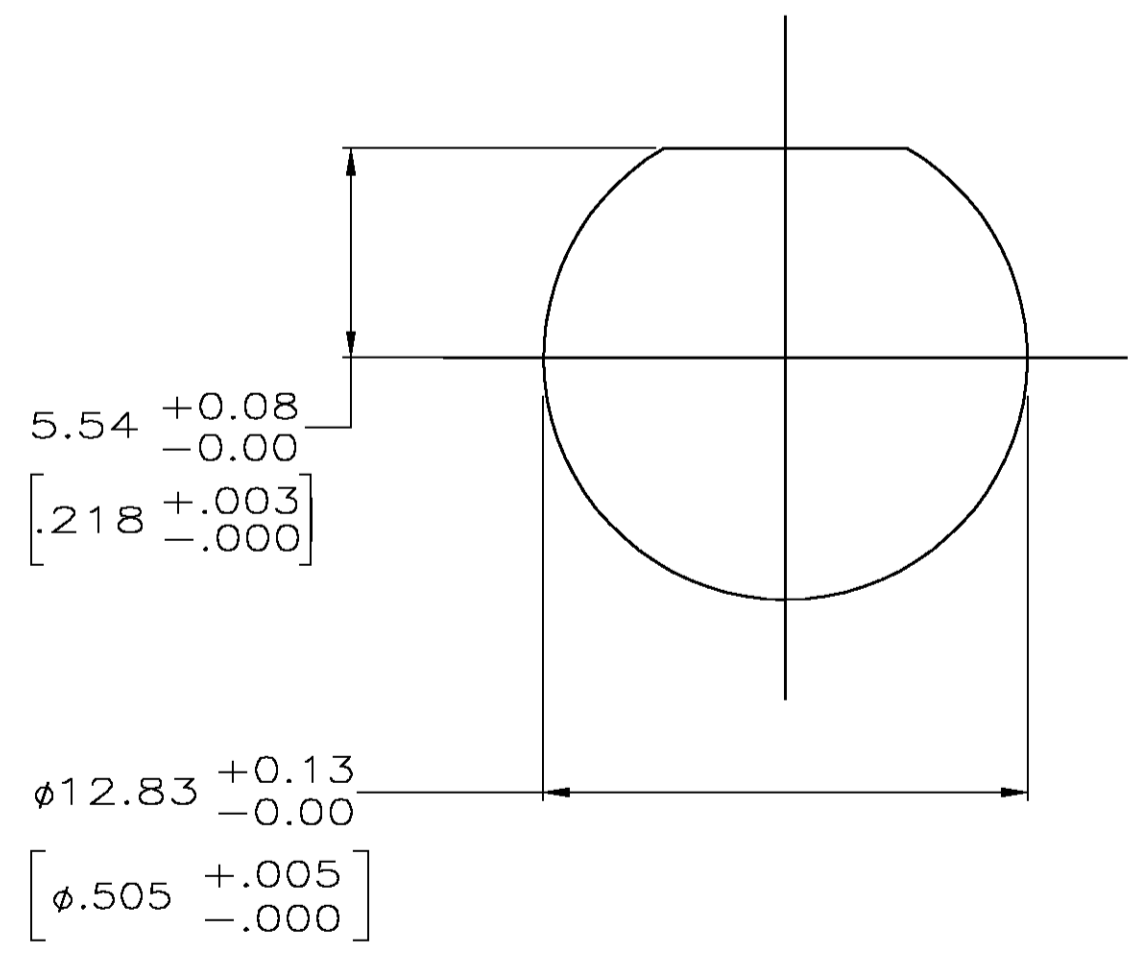
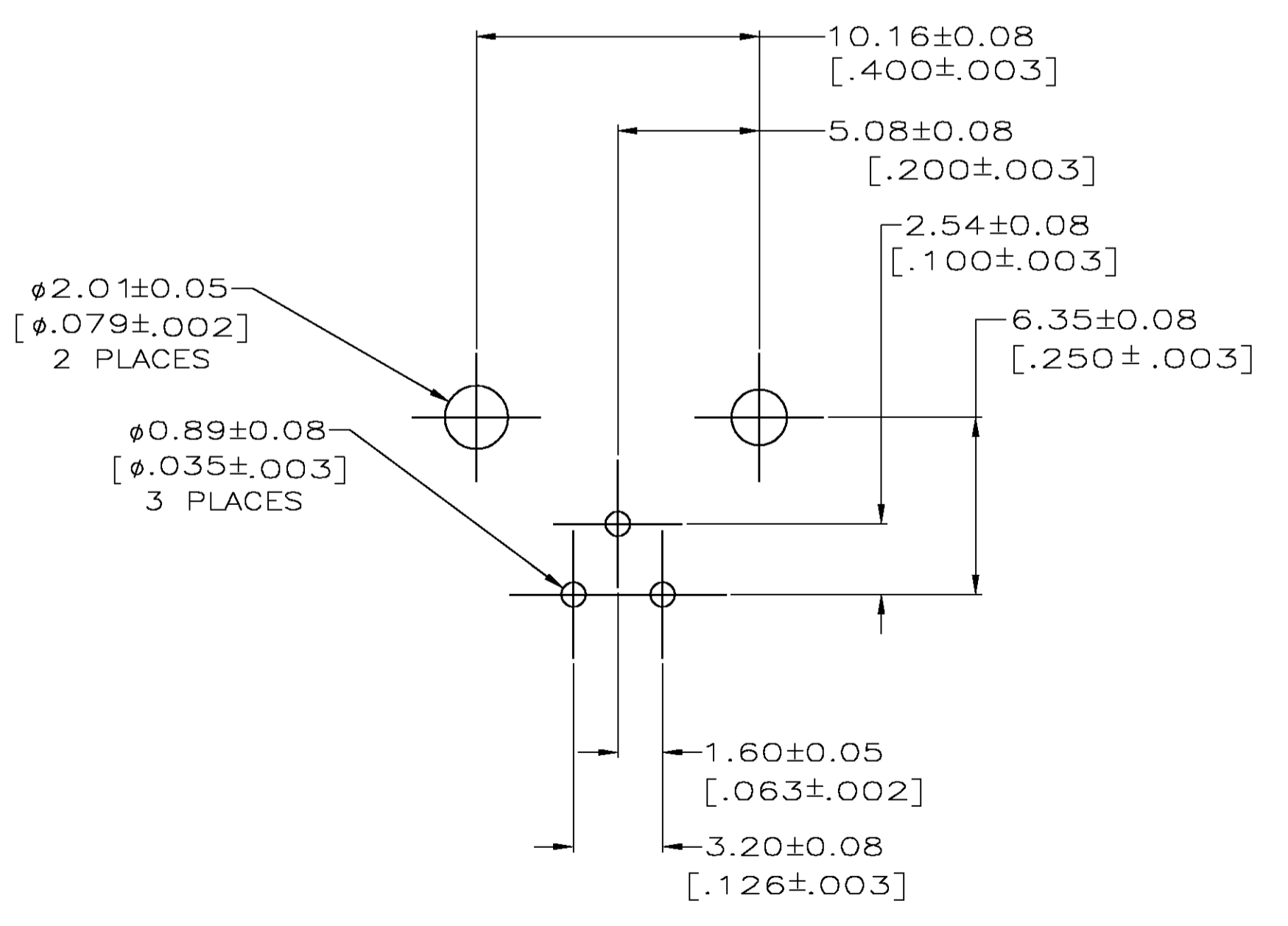


- 1 POLYESTER, PBT, 15% GLASS FIBER REINFORCED, NATURAL, PER MIL-M-24519.
- 2 ZINC PER QQ-Z-363.
- 3 POLYMETHYLPENTENE, GENERAL PURPOSE.
- 4 PHOSPHOR BRONZE PER QQ-B-750.
- 5 BRASS PER QQ-B-626.
- 6 BRASS PER ASTM-B-453.
- 7 NICKEL PL PER QQ-N-290, 3.81 μm [.000150] MINIMUM THICK
- 8 GOLD PL PER MIL-G-45204, 0.76 μm [.000030] MINIMUM THICK
- 9 TIN PL PER ASTM-B-545 3.81 μm [.000150] MINIMUM THICK



PCB CONFIGURATION

RECOMMENDED PANEL CUTOUT

228686-1
PART NO

THIS DRAWING IS A CONTROLLED DOCUMENT.		DIN R E. RUTH 10/30/90	Tyco Electronics Corporation Harrisburg, PA 17105-3608
DIMENSIONS: INCHES		CHK A. GABANY 3-8-91	
TOLERANCES UNLESS OTHERWISE SPECIFIED:		APVD A. GABANY 3-8-91	NAME: JACK ASSEMBLY, RIGHT ANGLE, PCB, SERIES TWIN BNC
0 PLG ± -		PRODUCT SPEC	
1 PLG ± -		APPLICATION SPEC	SIZE: A1
2 PLG ± 0.20 [.008]		WEIGHT	CAGE CODE: 00779
3 PLG ± -		CUSTOMER DRAWING	DRAWING NO: 228686
4 PLG ± -		SCALE: 5:1	SHEET 1 OF 1
ANGLES ± -		REV: F	