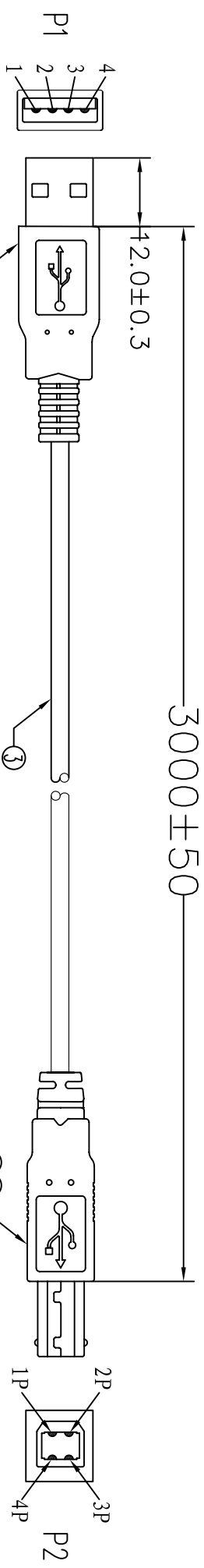


UNIT: mm

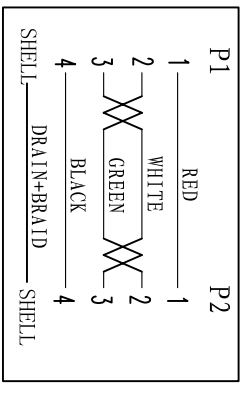
3000 ± 50

12.0 ± 0.3

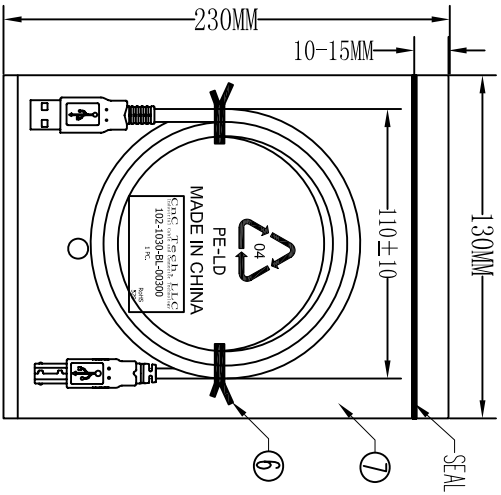


CABLE WHITE PRINT
 HI-SPEED USB Revision 2.0 SHIELDED 28AWG/1P+24AWG/2C
 E189529 PA AWM STYLE 2725 80° C 30V VW-1 VEGA TECH

PIN ASSIGNMENT:



Electrical test:
 1. 100% short, open, miswire test
 2. Conduct resistance: 2 Ohm(max)
 3. Insulation resistance: 10Mohm(min)
 4. dielectric test: DC 300V



1PC/PE BAG

⑧	PE BAG	1/10	CLEAR SIZE: 280*330*40.05mm PRINT BLACK "MADE IN CHINA"+ "10PCS" 及印生产日期, 有透气孔.
⑦	PE BAG	1	CLEAR SIZE: 130*230*40.05mm PRINT BLACK "MADE IN CHINA" 及印生产日期, 有透气孔.
⑥	TIE	2	BLACK L=100mm
⑤	OUT JACKET	6g	BLACK PVC-45P (MOULD NO.: WM-65)
④	OUT JACKET	6g	BLACK PVC-45P (MOULD NO.: WM-40)
③	CABLE	1	BLACK USB2. 0 UI.2725 28#/1P+24#/2C+AEB OD: 4.7mm L=3000 ± 20mm
②	CONN	1set	USB2. 0 B MALE SHELL: NICKEL, PIN G/F 3PCS TYPE INSULATOR COLOR: WHITE
①	CONN	1set	USB2. 0 A MALE SHELL: NICKEL, PIN G/F 3PCS TYPE INSULATOR COLOR: WHITE
NO.	NAME	QTY	SPECIFICATION

CNC Tech, LLC
 Industrial Cable and Connector Technology

DRAWN	ZHONGHS	DRAWING NO	
CHECKED		CUSTOMER	
APPROVAL		ITEM NO.	102-1030-BL-00300
DECIDED		DATE	2012-02-14
VERSIONS/EDITION	A/0	PROJECTION	

A

B

C

D

A

B

C

D

4

3

2

1