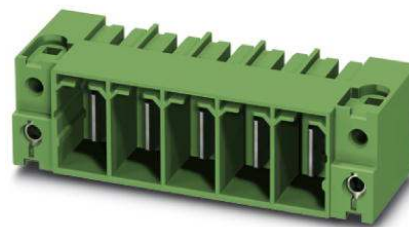


## PC 35 HC/ 4-GF-15,00

Order No.: 1762767



<http://eshop.phoenixcontact.de/phoenix/treeViewClick.do?UID=1762767>

Header, Nominal current: 125 A, Nom. voltage: 1000 V, Pitch: 15 mm,  
Number of positions: 4, Color: green, Assembly: Soldering

### Commercial data

EAN	4046356441032
Pack	25 pcs.
Customs tariff	85366990
Weight/Piece	0.087536 KG
Catalog page information	Page 442 (CC-2009)

[http://  
www.download.phoenixcontact.com](http://www.download.phoenixcontact.com)  
Please note that the data given  
here has been taken from the  
online catalog. For comprehensive  
information and data, please refer  
to the user documentation. The  
General Terms and Conditions of  
Use apply to Internet downloads.

### Technical data

#### Dimensions / positions

Pitch	15 mm
Dimension a	45 mm
Number of positions	4

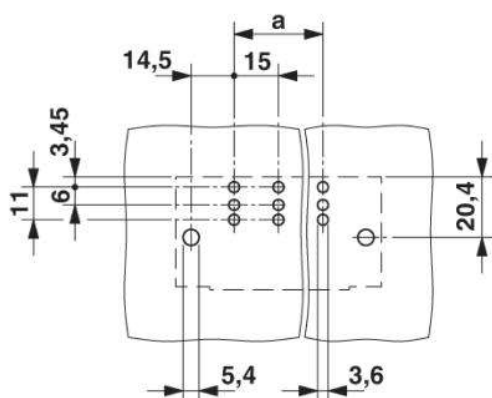
#### Technical data

Insulating material group	IIIa
Rated surge voltage (III/3)	8 kV
Rated surge voltage (III/2)	8 kV
Rated surge voltage (II/2)	8 kV
Rated voltage (III/2)	1000 V

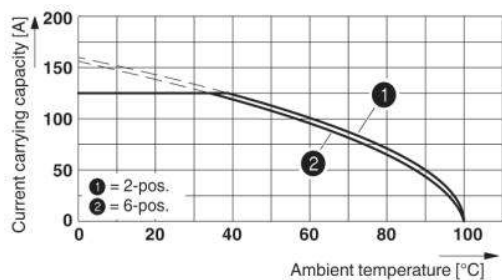
Rated voltage (II/2)	1000 V
Nominal current $I_N$	125 A
Nominal voltage $U_N$	1000 V
Maximum load current	125 A
Insulating material	PBT
Inflammability class acc. to UL 94	V0

**Diagrams/Drawings**

Drilling plan/solder pad geometry

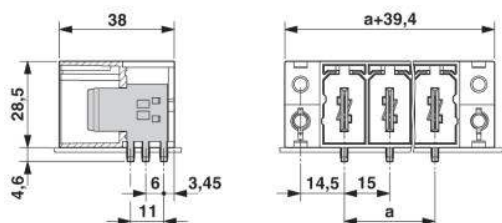


Diagram



Type: PC 35 HC/...-STF-15,00 with PC 35 HC/...-GF-15,00

Dimensioned drawing



**Address**

PHOENIX CONTACT Inc., USA  
586 Fulling Mill Road  
Middletown, PA 17057, USA  
Phone (800) 888-7388  
Fax (717) 944-1625  
<http://www.phoenixcon.com>



© 2010 Phoenix Contact  
Technical modifications reserved;