

Specifications

Electrical Ratings	50mA @ 50VDC	Dielectric Strength	250Vrms min
Electrical Life	100,000 cycles typical	Insulation Resistance	>100MΩ min
Contact Resistance	<50mΩ initial	Operating Temperature	-40°C to 85°C
Actuation Force	160 ± 50gF 260 ± 50gF	Storage Temperature	-40°C to 85°C
Acutation Travel	.25 ± .1mm		

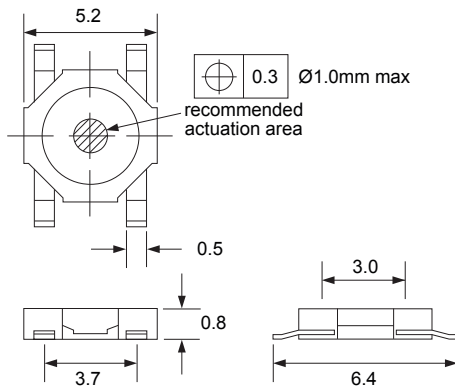
Materials

Actuator	Brass
Housing	PA6T Nylon
Cover	Stainless Steel
Contacts	Stainless Steel, Silver Plated
Terminals	Phosphor Bronze, Silver Plated

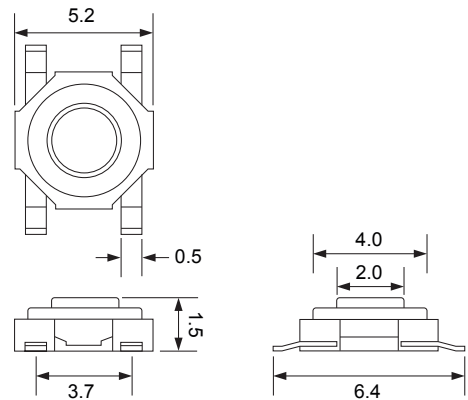
Ordering Information

1. Series	CS1204	F160
	CS1204	
	CS1204A	
2. Actuation Force		
	F160 = 160gF	
	F260 = 260gF	

Dimensions



CS1204



CS1204A

Schematic & PC Layout

