

4

3

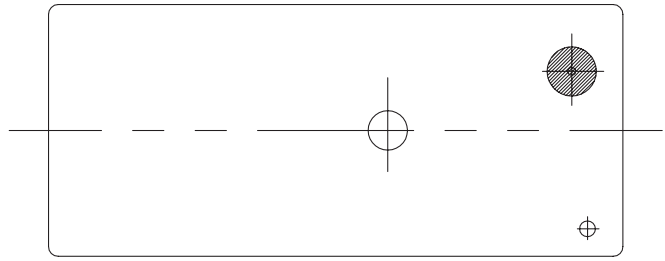
2

1

© - TE Connectivity. All Rights Reserved.

REVISIONS

P	LTR	DESCRIPTION	DATE	DWN	APVD
F		BASE MATERIAL CHANGE TO PBT, DIMENSION CHANGE	ECN-21-117512	08-SEP-21	XRL K.T



NOTES:
 1.-SH-: WASHABLE TYPE
 -SS-: PLASTIC SEALED TYPE
 1.LOT NO. SYSTEM AS FOLLOWING:

0	7	0	1
---	---	---	---

 WEEK
 YEAR
 2.GENERAL TOLERANCE AS FOLLOWING:

TOLERANCE	
0~0.99mm	±0.1
1mm~2.99mm	±0.2
3mm MIN.	±0.3

3.TERMINAL DIMENSION IS NOT INCLUDING SOLDER TIP.
 4.FOR THE TIN-PLATING OF THE PINS:
 +0.1mm FOR WIDTH, THICKNESS AND DIAMETER.
 +0.5mm FOR LENGTH.



OMIH - SS -112D1

12V



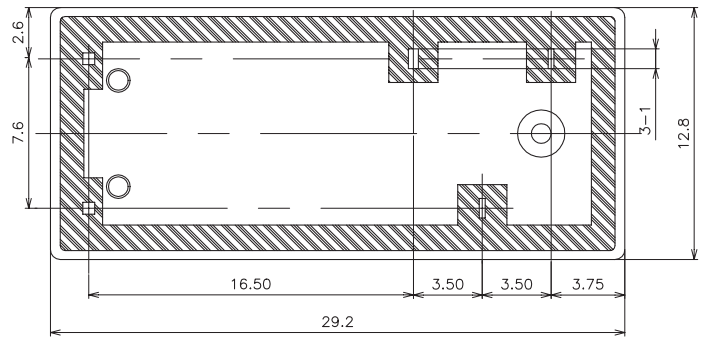
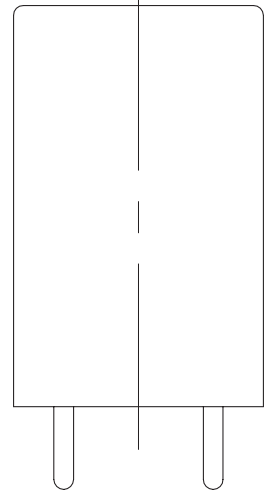
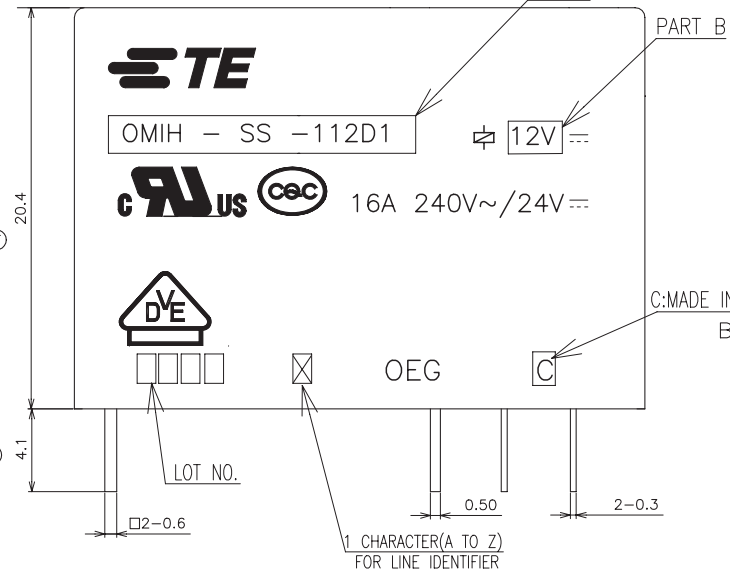
16A 240V~/24V



OEG



C:MADE IN CHINA



THIS DRAWING IS A CONTROLLED DOCUMENT.

DIMENSIONS: mm	TOLERANCES UNLESS OTHERWISE SPECIFIED:
	0 PLC ±-
	1 PLC ±-
	2 PLC ±-
	3 PLC ±-
	4 PLC ±-
	ANGLES ±-
MATERIAL	FINISH

DWN Zhang,xiaoning	NAME
CHK N,Fungyama	
APVD Hsu,chien-hui	
PRODUCT SPEC	
APPLICATION SPEC	
WEIGHT	

TE TE Connectivity

OMIH CUSTOMER DRAWING

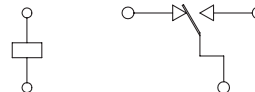
SIZE A3	CAGE CODE 00779	DRAWING NO C=1721535	RESTRICTED TO
CUSTOMER DRAWING			SCALE 4:1 SHEET 1 of 2 REV F

REVISIONS					
P	LTR	DESCRIPTION	DATE	DWN	APVD

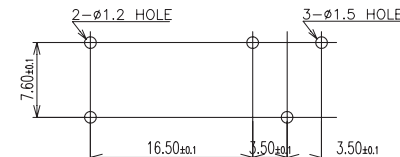
2-1721535-0	OMIH-SH-148L1	48V	OMIH-SH-148L1
1-1721535-9	OMIH-SH-148D1	48V	OMIH-SH-148D1
1-1721535-8	OMIH-SH-124L1	24V	OMIH-SH-124L1
1-1721535-7	OMIH-SH-124D1	24V	OMIH-SH-124D1
1-1721535-6	OMIH-SH-118L1	18V	OMIH-SH-118L1
1-1721535-5	OMIH-SH-112L1	12V	OMIH-SH-112L1
1-1721535-4	OMIH-SH-112D1	12V	OMIH-SH-112D1
1-1721535-3	OMIH-SH-109L1	9V	OMIH-SH-109L1
1-1721535-2	OMIH-SH-105L1	5V	OMIH-SH-105L1
1-1721535-1	OMIH-SH-105D1	5V	OMIH-SH-105D1
1-1721535-0	OMIH-SS-148L1	48V	OMIH-SS-148L1
1721535-9	OMIH-SS-148D1	48V	OMIH-SS-148D1
1721535-8	OMIH-SS-124L1	24V	OMIH-SS-124L1
1721535-7	OMIH-SS-124D1	24V	OMIH-SS-124D1
1721535-6	OMIH-SS-118L1	18V	OMIH-SS-118L1
1721535-5	OMIH-SS-112L1	12V	OMIH-SS-112L1
1721535-4	OMIH-SS-112D1	12V	OMIH-SS-112D1
1721535-3	OMIH-SS-109L1	9V	OMIH-SS-109L1
1721535-2	OMIH-SS-105L1	5V	OMIH-SS-105L1
1721535-1	OMIH-SS-105D1	5V	OMIH-SS-105D1
TE PART NO	DESCRIPTION	PART B	PART A

RELAY TYPE

CONNECTION DIAGRAM (BOTTOM VIEW)



DRILLING DIAGRAM(2/1) (BOTTOM VIEW)



		EPOXY RESIN	CASE VENT HOLE SEAL	17
		EPOXY RESIN	BASE&CASE SEAL	16
UL 94 V-0		PBT	CASE	15
CLASS E		UEW	MAGNETIC WIRE	14
UL 94 V-0		PBT (F)	BASE	13
UL 94 V-0		PBT	BOBBIN	12
	SOLDER DIP	CP WIRE	COIL TERMINAL	11
UL 94 V-0		PPS	CARD	10
		Ag ALLOY(CD FREE)	MOVABEL CONTACT	9
		Ag ALLOY(CD FREE)	STATIONARY CONTACT	8
		Cu ALLOY	HINGE SPRING	7
	SOLDER DIP	Cu ALLOY	STATIONARY TERMINAL	6
	SOLDER DIP	Cu ALLOY	MOVABLE SPRING	5
	SOLDER DIP	Cu ALLOY	B TERMINAL	4
		STEEL	CORE	3
		STEEL	ARMATURE	2
		STEEL	YOKE	1
INCOMBUSTIBILITY	TREATMENT	MATERIAL	DESCRIPTION	ITEM

THIS DRAWING IS A CONTROLLED DOCUMENT.		DWN Zhang,xiaoning														
DIMENSIONS: mm		CHK N.Funayama														
TOLERANCES UNLESS OTHERWISE SPECIFIED:		APVD Hsu,chien-hui	NAME OMIH CUSTOMER DRAWING													
<table border="1"> <tr><td>0 PLC</td><td>± -</td></tr> <tr><td>1 PLC</td><td>± -</td></tr> <tr><td>2 PLC</td><td>± -</td></tr> <tr><td>3 PLC</td><td>± -</td></tr> <tr><td>4 PLC</td><td>± -</td></tr> </table>		0 PLC	± -	1 PLC	± -	2 PLC	± -	3 PLC	± -	4 PLC	± -	PRODUCT SPEC -	SIZE A3	CAGE CODE 00779	DRAWING NO C=1721535	RESTRICTED TO
0 PLC	± -															
1 PLC	± -															
2 PLC	± -															
3 PLC	± -															
4 PLC	± -															
MATERIAL -		FINISH -	APPLICATION SPEC -	WEIGHT -	SCALE 4:1	SHEET 2 OF 2	REV F									
CUSTOMER DRAWING																