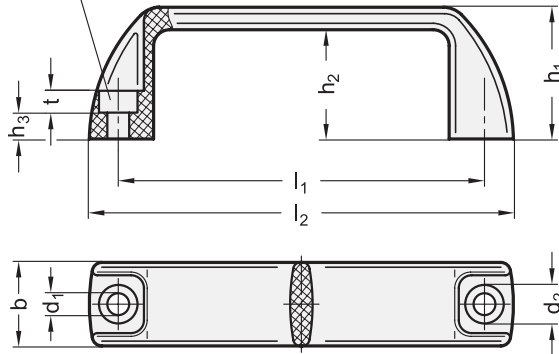


Bore for socket cap screw
1/4" / 5/16" or DIN 912-M6 / M8



Universal table

Dimensions in: millimeters - inches

¹ b	² d ₁	³ l ₁	d ₂	h ₁	h ₂	h ₃	l ₂	t
21 .83	B 6.5	93.5 3.68	10.5 .41	36 1.42	30 1.18	6 .24	112 4.41	7 .28
24.5 .96	B 6.5	117 4.61	10.5 .41	41 1.61	34 1.34	6 .24	139 5.47	9 .35
24.5 .96	B 8.5	117 4.61	13 .51	41 1.61	34 1.34	6 .24	139 5.47	9 .35
27 1.06	B 6.5	132 5.20	10.5 .41	45 1.77	37 1.46	9 .35	156 6.14	7 .28
27 1.06	B 8.5	132 5.20	13 .51	45 1.77	37 1.46	7 .28	156 6.14	9 .35
28 1.10	B 8.5	179 7.05	13 .51	50 1.97	42 1.65	8 .31	204 8.03	9 .35

Specification

- **MF**
Nylon plastic
- Black, RAL 9005, matte finish ● **SW**
- Glass fiber reinforced
- Temperature resistant up to 230 °F (110 °C)
- **MFE**
Polypropylene plastic
- Black, RAL 9005, matte finish ● **SW**
- Glass fiber reinforced
- Temperature resistant up to 212 °F (100 °C)
- **RoHS compliant**

Information

The shape of MF and MFE cabinet "U" handles has good ergonomic features. Because of the style and durability of these handles, they are suitable for most industries.
The MFE series is the economical version of the MF series.
see also...
• Cabinet "U" Handles GN 565.1

On request

- Additional colors
- Various metric and inch size fasteners and kit packaging

<p>How to order (Nylon plastic)</p> <p>¹ ² ³ ⁴</p> <p>MF-27-B6.5-132-SW</p>	1 Handle width b
	2 Bore d ₁
	3 Length l ₁
	4 Color
<p>How to order (Polypropylene plastic)</p> <p>¹ ² ³ ⁴</p> <p>MFE-28-B8.5-179-SW</p>	1 Handle width b
	2 Bore d ₁
	3 Length l ₁
	4 Color

1.1
1.2
1.3
1.4
2.1
2.2
2.3
2.4
3.10