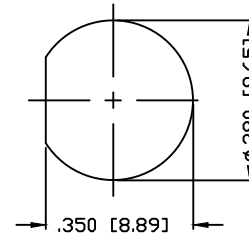
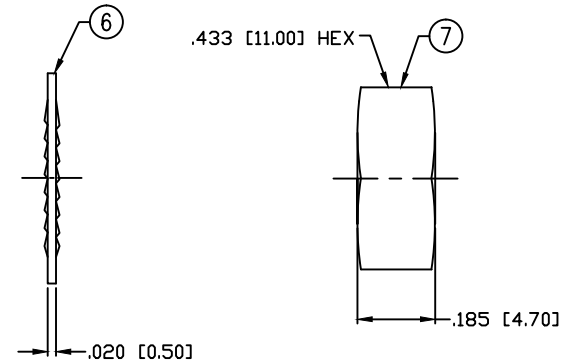
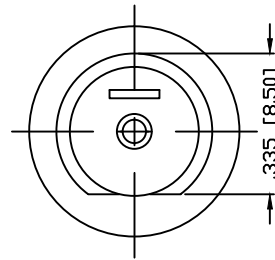
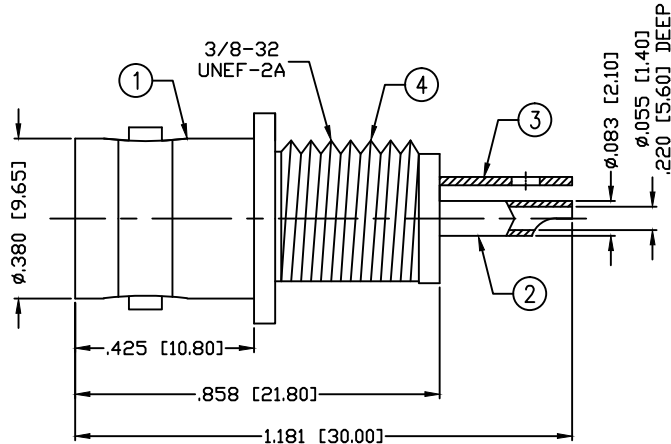


THIS DRAWING CONTAINS INFORMATION PROPRIETARY TO RF INDUSTRIES,
 ANY UNAUTHORIZED USE OF THIS DRAWING IS EXPRESSLY PROHIBITED
 WITHOUT WRITTEN PERMISSION FROM RF INDUSTRIES.
 ANY VIOLATION IS PUNISHABLE UNDER U.S. COPYRIGHT LAWS.

PART NO.		RFB-1116-1		
REV	DESCRIPTION	DWN	DATE	APPROVED
D	SECTION DRAWING / CHANGE CONTACT ID	KMM	3/28/94	R. RICE
E	SEPARATE BODY / UPDATE DIMS THROUGHOUT	CZS	10/7/97	P. COLCHIN
F	REMOVE PART NUMBER FROM CONNECTOR	CZS	2/20/01	JDMc
G	CHANGE FORMAT, SPECS, DIMS & DWG # 7876	GGG	2/27/02	JDMc

ALL DIMENSIONS ARE REFERENCE ONLY



RECOMMENDED MOUNTING CONFIGURATION

SPECIFICATIONS:

- IMPEDANCE: 50 Ohms
- FREQUENCY RANGE: 0-4 GHz
- WORKING VOLTAGE: 500 V rms @ sea level
- (B) FOR RG-174, 188, 188A, 316/U, ALPHA 9174, 9316, BELDEN 8216, 83269, 83284, 84316 & TIMES LMR-100A CABLE
- (C) FOR RG-58, 58A, 58C, 141, 141A, BELDEN 8240, 8262, 9201, 9203, 9310, 9311 & COMM/SCOPE 0268
- (D) FOR RG-59, 59A, 59B, 62, 62A, 62C 71, 140 & 210/U, BELDEN 8221, 8241, 8241A, 8254, 8255, 8263, 9169, 9204, 9228, 9244, 9269 & 9862 CABLE
- (G) FOR BELDEN 8281, 8281B, 8281F, 9231 & WE 724 CABLE
- (P) FOR ANTENNA SPECIALIST K214 & PRO-FLEX 800, & TIMES AA3096 CABLE
- (X) FOR RG-8/X, BELDEN 9258, MAXRAD M8X-100 & M8X-1000, MICRO 8/U, REMEE 1600, SAXTON 8315 & TIMES LMR-240 & LMR-240 ULTRAFLEX CABLE

1	BODY	1	BRASS	NICKEL, 80μ"
2	CONTACT	1	BRASS	GOLD, 3μ"
3	TERMINAL	1	BRASS	TIN
4	DIELECTRIC	1	ABS	---
5	PRESS WASHER	1	BRASS	NICKEL, 80μ"
6	LOCK WASHER	1	BRASS	NICKEL, 80μ"
7	HEX NUT	1	BRASS	NICKEL, 80μ"
8				
9				
10				
11				
12				
13				
14				

000486	
DRAWN	G. GALLEGOS
CHECKED	
ORJ DRAWN	MP
DATE	2/2/87

UNLESS OTHERWISE SPECIFIED:
 1. REMOVE ALL BURRS
 2. BREAK ALL CORNERS & EDGES .005 R. MAX.
 3. CHAMFER 1ST & LAST THREADS 45°
 4. SURFACE ROUGHNESS 63 FINISH MIL-STD-10
 5. DIAMETERS ON COMMON CENTERS TO BE CONCENTRIC WITHIN .002 T.I.R.
 6. ALL DIMENSIONS ARE AFTER PLATING.

DIMENSIONS ARE IN INCHES AND [MILLIMETERS]
 UNLESS OTHERWISE NOTED TOLERANCES ARE:
 DECIMALS DIAMETER
 .XXX±.003 [.08] .XXX±.001 [.03]
 .XX±.005 [.13] .XX±.003 [.08]

RF

7610 MIRAMAR RD
 SAN DIEGO, CA 92126
 (858) 549-6340
 (858) 549-6345 FAX

DIVISION OF RF INDUSTRIES, LTD.

BNC JACK BULKHEAD,

FRONT MOUNT WITH ISOLATED BODY

SIZE	CABLE GROUP	DWG NO.	REV
A	B,C,D,G,P&X	RFB-1116-1	G

SCALE: NTS CAD FILE OUTLINE SHEET 1 OF 1