

2274955-1 ✓ ACTIVE



### STRADA Whisper 3.9mm

TE Internal #: 2274955-1

STRADA Whisper Receptacle Cable Assembly, 6 Column, .508 m,  
20 Gb/s, Madison TurboTwin, 8 Row, STRADA Whisper Receptacle

[View on TE.com >](#)

Cable Assemblies > High Speed Backplane Cable Assemblies



Number of Rows: 8

Number of Columns: 6

Cable Assembly Length: .508 m

Data Rate: 20 Gb/s

Cable Style: Madison TurboTwin

## Features

### Product Type Features

Cable Style	Madison TurboTwin
Connector Type (End A)	STRADA Whisper Receptacle
Connector Type (End B)	STRADA Whisper Receptacle

### Configuration Features

Number of Rows	8
Number of Columns	6

### Electrical Characteristics

Impedance	100 $\Omega$
-----------	--------------

### Signal Characteristics

Data Rate	20 Gb/s
-----------	---------

### Body Features

Cable Flammability Rating	VW-1
---------------------------	------

### Dimensions

Wire Size	.05 mm <sup>2</sup>
-----------	---------------------



### Operation/Application

Halogen Free	No
--------------	----

### Other

Cable Assembly Length	.508 m
-----------------------	--------

### Product Compliance

[For compliance documentation, visit the product page on TE.com>](#)

EU RoHS Directive 2011/65/EU	Compliant
EU ELV Directive 2000/53/EC	Compliant
China RoHS 2 Directive MIIT Order No 32, 2016	No Restricted Materials Above Threshold
EU REACH Regulation (EC) No. 1907/2006	Current ECHA Candidate List: JUNE 2023 (235) Not Yet Reviewed
Halogen Content	Low Halogen - Br, Cl, F, I < 900 ppm per homogenous material. Also BFR/CFR/PVC Free
Solder Process Capability	Not applicable for solder process capability

#### Product Compliance Disclaimer

This information is provided based on reasonable inquiry of our suppliers and represents our current actual knowledge based on the information they provided. This information is subject to change. The part numbers that TE has identified as EU RoHS compliant have a maximum concentration of 0.1% by weight in homogenous materials for lead, hexavalent chromium, mercury, PBB, PBDE, DBP, BBP, DEHP, DIBP, and 0.01% for cadmium, or qualify for an exemption to these limits as defined in the Annexes of Directive 2011/65/EU (RoHS2). Finished electrical and electronic equipment products will be CE marked as required by Directive 2011/65/EU. Components may not be CE marked. Additionally, the part numbers that TE has identified as EU ELV compliant have a maximum concentration of 0.1% by weight in homogenous materials for lead, hexavalent chromium, and mercury, and 0.01% for cadmium, or qualify for an exemption to these limits as defined in the Annexes of Directive 2000/53/EC (ELV). Regarding the REACH Regulation, the information TE provides on SVHC in articles for this part number is based on the latest European Chemicals Agency (ECHA) 'Guidance on requirements for substances in articles' posted at this URL: <https://echa.europa.eu/guidance-documents/guidance-on-reach>

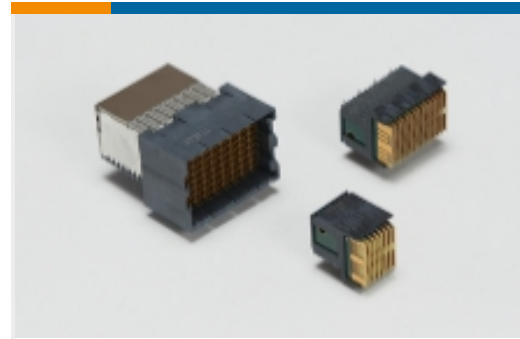
### Compatible Parts



Also in the Series | **STRADA Whisper 3.9mm**



High Speed Backplane Cable Assemblies(16)



High Speed Backplane Connectors(41)

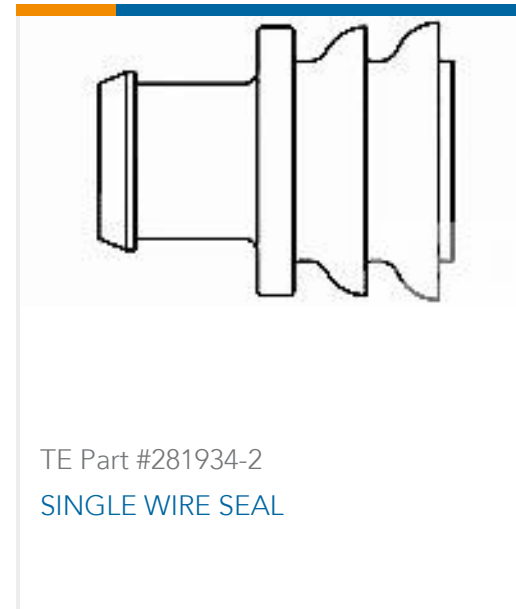
## Customers Also Bought



TE Part #0460-202-16141  
DEUTSCH Solid Contacts



TE Part #282104-1  
AMP SUPERSEAL 1.5MM,  
CONNECTOR HOUSING



TE Part #281934-2  
SINGLE WIRE SEAL



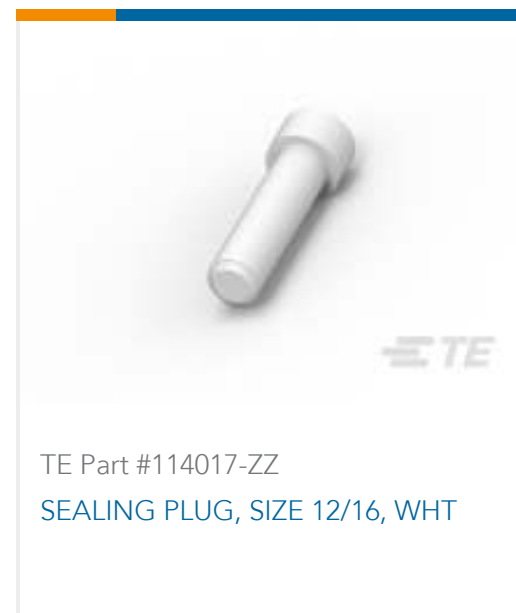
TE Part #DT04-2P  
REC, 2P, GRY, N



TE Part #DT06-2S  
PLG, 2P, GRY, N



TE Part #W2S  
Wedgelocks: DEUTSCH DT



TE Part #114017-ZZ  
SEALING PLUG, SIZE 12/16, WHT

## Documents

### Product Drawings

C/A, 9P6C, 100 OHM, STRADA WHISPER

English

### CAD Files

3D PDF

3D

Customer View Model

[ENG\\_CVM\\_CVM\\_2274955-1\\_A.2d\\_dxf.zip](#)

English

Customer View Model

[ENG\\_CVM\\_CVM\\_2274955-1\\_A.3d\\_igs.zip](#)

English

Customer View Model

[ENG\\_CVM\\_CVM\\_2274955-1\\_A.3d\\_stp.zip](#)

English

By downloading the CAD file I accept and agree to the [Terms and Conditions](#) of use.

2274955-1

STRADA Whisper Receptacle Cable Assembly, 6 Column, .508 m, 20 Gb/s, Madison  
TurboTwin, 8 Row, STRADA Whisper Receptacle

