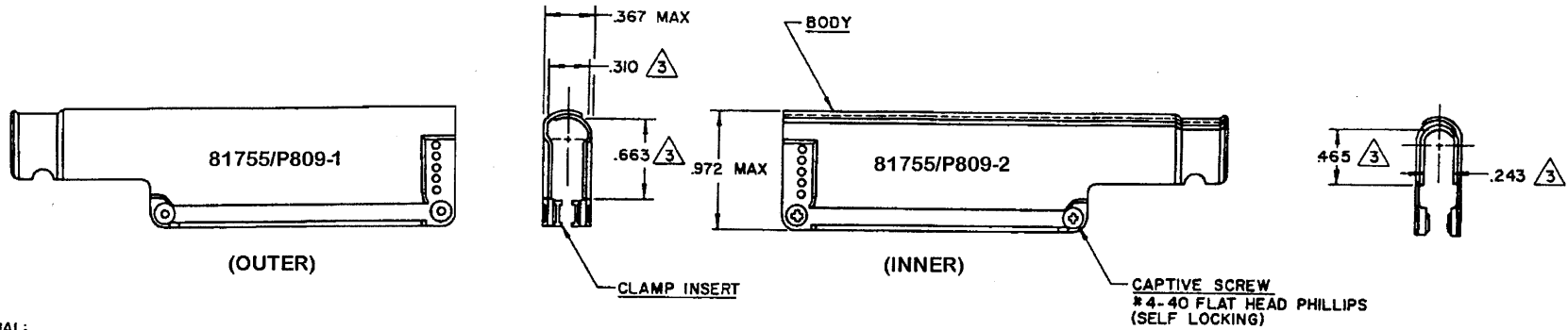
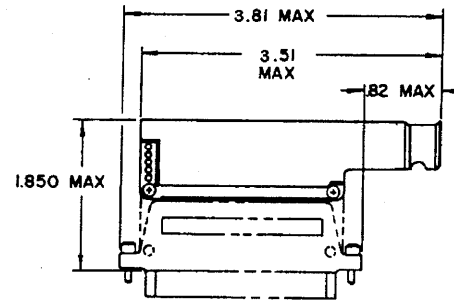


REVISIONS			
ZONE/LTR	DESCRIPTION	DATE	APPROVAL
—/N/C	INITIAL RELEASE PER ECN # T-20417	8-29-95	HAGMANN

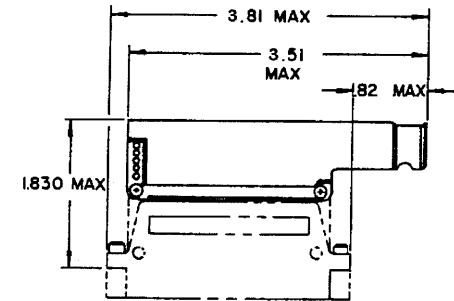


NOTES:

1. MATERIAL:
 - A. BODY; PHOSPHOR BRONZE PER ASTM B-139.
 - B. CAPTIVE SCREW; STAINLESS STEEL PER QQ-S-763, 300 SERIES.
 - C. CLAMP INSERT; FLUOROSILICONE ELASTOMER PER MIL-R-25988.
2. FINISH:
 - A. BODY; TIN PLATED PER MIL-T-10727 OVER NICKEL PER MIL-C-26074.
 - B. CAPTIVE SCREW; CADMIUM PLATED PER QQ-P-416
3. THESE DIMENSIONS ARE FOR MAXIMUM CABLE ACCOMMODATION.
4. **Raychem** PART NUMBER IS MARKED ON BACKSHELL PACKAGE.
5. THIS BACKSHELL IS FOR USE WITH **Raychem** MTC SERIES CONNECTORS. 2" PLUG OR 2" RECEPTACLE AS SHOWN.



2 INCH PLUG ASSY
INSTALLATION DATA
REF



2 INCH RECEPTACLE ASSY
INSTALLATION DATA
REF

CUSTOMER P/N	RAYCHEM P/N	STYLE
81755/P809-1	CHA-0018-103	OUTER
81755/P809-2	CHA-0018-203	INNER

SPECIFICATION CONTROL DRAWING

UNLESS OTHERWISE SPECIFIED DIMENSIONS ARE IN INCHES BRACKETED DIMENSIONS () ARE METRIC AND TOLERANCES ARE: .xxx: ± — (—) .xx: ± — (—) Δ: ± —	DRAWN	W.JACKSON	9-80	Raychem <small>RAYCHEM CORPORATION 300 CONSTITUTION DRIVE WORLD PARK, CALIFORNIA 94025</small> TITLE RIGHT ANGLE BREAKOUT BACKSHELL 2 INCH MTC
	CHECKED	B		
	APPROVED	Plain	7-20-80	
	APPROVED			
				SIZE A CODE IDENT NO. 06090 DWG. NO. CHA-0018-X03 CAD NAME 001029-1.PCX WEIGHT — SHEET 1 OF 1

If this document is printed it becomes uncontrolled.
Check with the web for latest revision.

DO NOT SCALE THIS DRAWING.