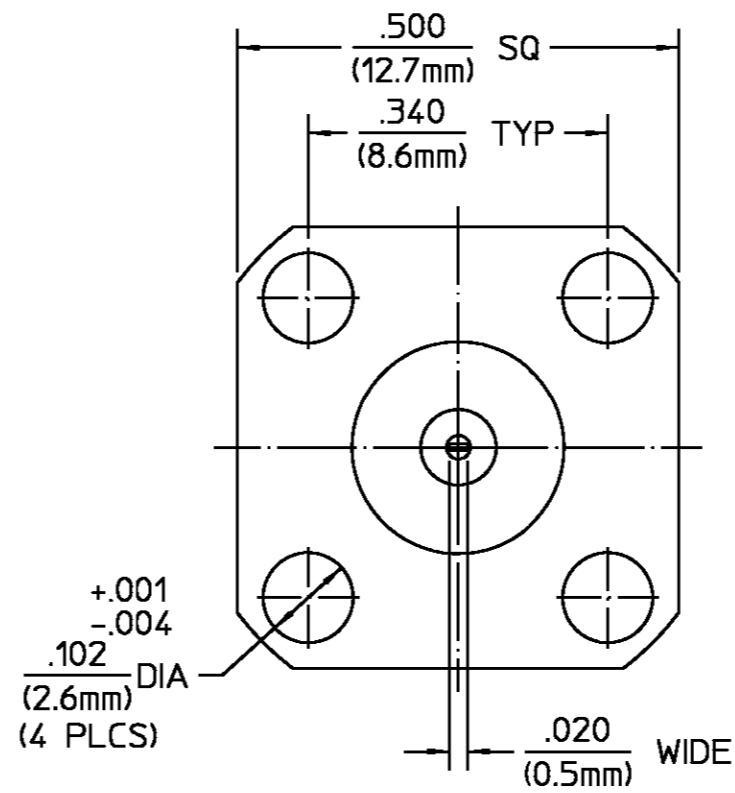


REVISIONS			
REV	DESCRIPTION	DATE	APPROVED
01 ₂	REDRAWN; ECN 94-0474	8/16/95	08/17/95 PJA



HOUSING	STAINLESS STEEL PER ASTM-A484 AND ASTM-A582, TYPE 303	GOLD PLATE PER MIL-G-45204
DIELECTRIC	TFE FLUOROCARBON PER ASTM-D-1457	N/A
CENTER CONTACT	BERYLLIUM COPPER PER ASTM-B-196 OR ASTM-B-197, ALLOY C17300, CONDITION H	GOLD PLATE PER MIL-G-45204

COMPONENT	MATERIAL	FINISH
-----------	----------	--------

UNLESS OTHERWISE SPECIFIED DIMENSIONS ARE IN INCHES FRAC. ± 1/64 DEC. ±.005 ANGLES ± 1°	DRAWN BY DW 4-11-75 DATE	 AMP Incorporated 140 Fourth Avenue Waltham, MA 02451-7599
	CHECKED BY RMF 4-11-75	
	APPD BY BWC 4-11-75	

NOTES:
1. CAPTIVATED CENTER CONTACT

These drawings and specifications are the property of M/A COM Interconnect Div. and shall not be reproduced or copied or used in whole or in part as the basis for the manufacture or sale of item(s) without written permission.	USE ASSY PROCEDURE	TITLE "OSM" JACK MICROSTRIP TRANSITION	
	NO. A.P. N/A	SIZE B	REV 01 ₂
		CODE IDENT NO. 26805	2052-1132-00