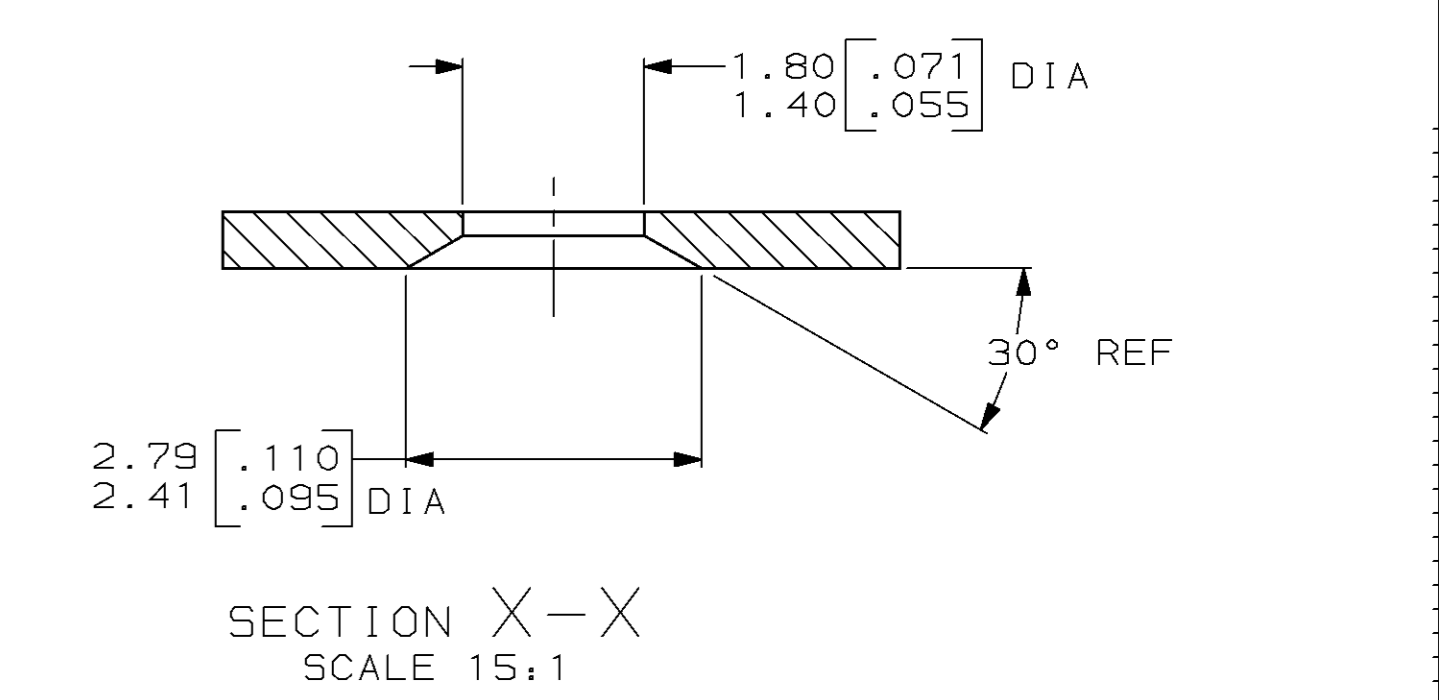
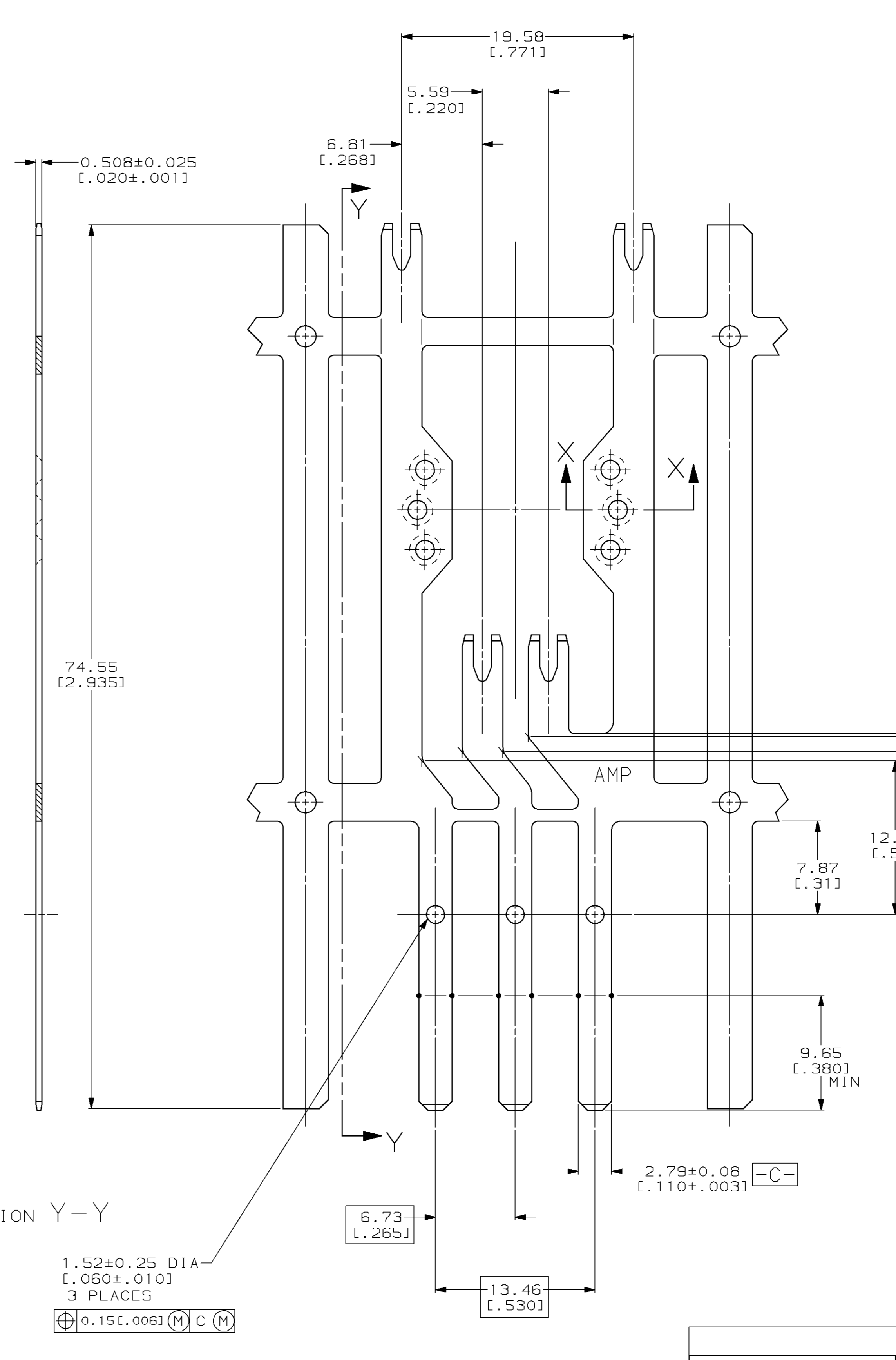
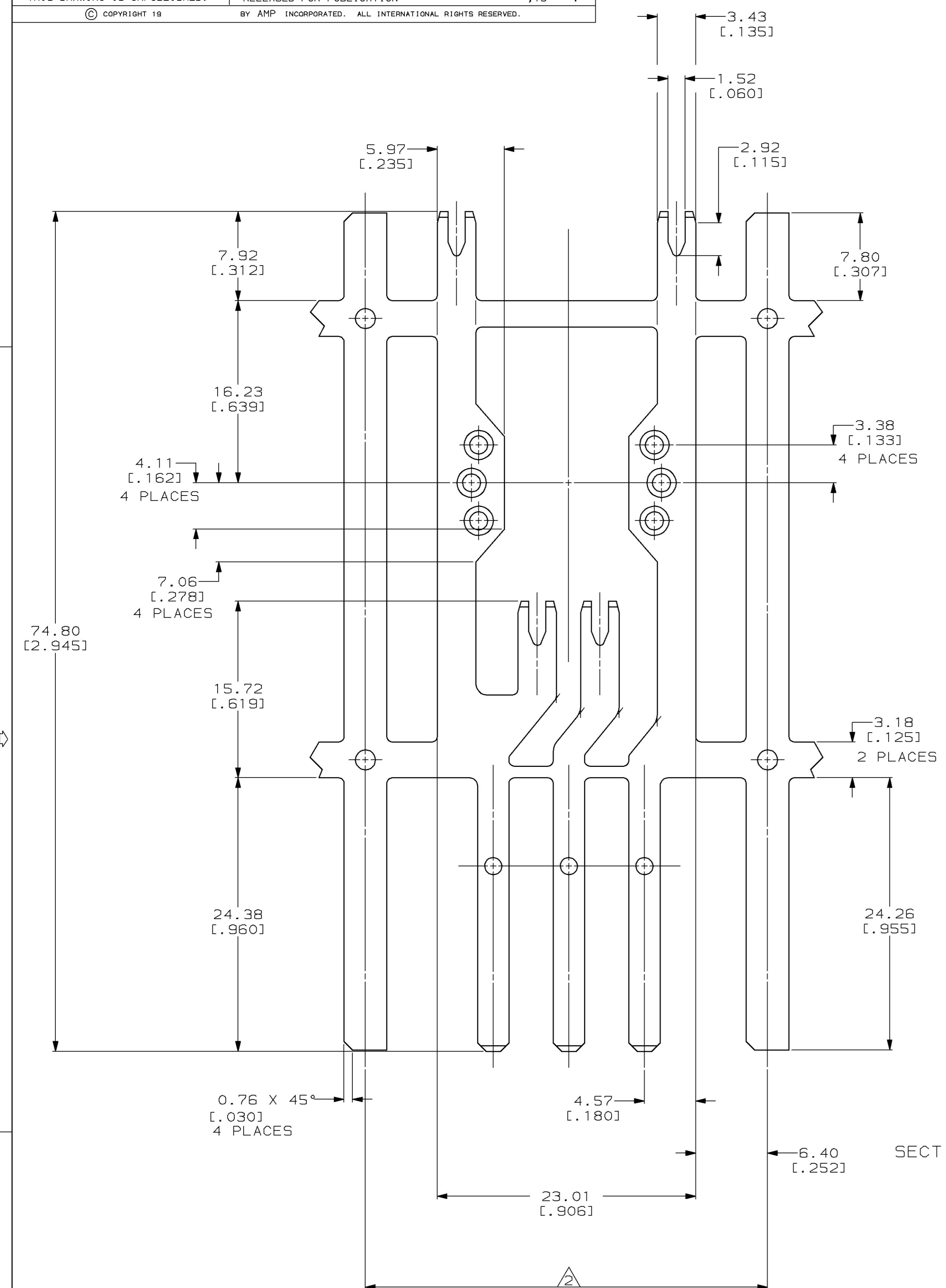


LOC		DIST		P		F		ZONE		LTR		REVISIONS			
AF	50											DESCRIPTION	DATE	APPD	
												F	REV PER 061A-0361-98	10-NOV-98	DB/PS

- 1 0.000406 (.000016) MIN TIN PER MIL-T-10727. LUBRICATED PER AMP SPEC. 112-2002-2.
- 2 CONTINUOUS STRIP ON REELS WITH TERMINALS LOCATED ON 35.81±0.08 [1.410±.003] CENTERS.



SECTION Y-Y

1.52±0.25 DIA  
 [.060±.010]  
 3 PLACES  
 ⊕ 0.15 [.006] (M) C (M)

DO NOT SCALE PRINT. UNLESS SPECIFIED DIMENSIONS IN mm [INCHES] TOLERANCES ON:		DR 14/OCT/93 MICHAEL S. FEHER		AMP Incorporated Harrisburg, PA 17105-3608	
[2] PLC DEC ± 0.25 [.01] [3] PLC DEC ± 0.13 [.005] ANGLES ± -		CHK 14/DEC/93 JEFF R. RUTH			
MATERIAL #4M BRASS		APPD 15/DEC/93 NELSON E. NEFF		NAME CONNECTOR, BUSS BAR, TABS, 2.79[.110] AND POKE-IN, MAG-MATE™	
FINISH 1		APPD 15/DEC/93 TERRY L. SHUTTER		DRAWING NO C-63694	
APPLICATION SPEC		PRODUCT SPEC		SIZE D	CAGE CODE 00779
WEIGHT		SCALE 4:1		SHEET 1 OF 1	

THIS DRAWING IS A CONTROLLED DOCUMENT FOR AMP INCORPORATED. IT IS SUBJECT TO CHANGE AND THE CONTROLLING ENGINEERING ORGANIZATION SHOULD BE CONTACTED FOR THE LATEST REVISION.