

10144517 - AA B C D E F F

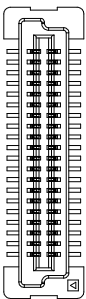
AA	POSITION
02	2X10
04	2X20
06	2X30
08	2X40
10	2X50
12	2X60

COMBINATION OF MATED HEIGHT	FOR PLUG, SEE DWG. NO. 10144518			
	Plug 1	Plug 2	Plug 3	Plug 4
Recep 1				
Recep 2				
Recep 3				
Recep 4				

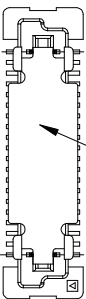
E	PACKAGING
2	T&R WITH METAL CAP
3	T&R WITHOUT CAP
6	T&R WITH KAPTON TAPE

D	POLARIZATION PEG HOLD DOWN
0	YES
2	NO

C	PLATING ON CONTACT AREA	FF
8	GOLD FLASH (0.05um MIN) ON CONTACT AREA; PURE TIN 2.5um MIN (LEAD FREE) ON SOLDER TAIL NICKEL UNDERPLATE OVERALL 127um MIN	LF

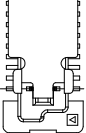


WITHOUT CAP



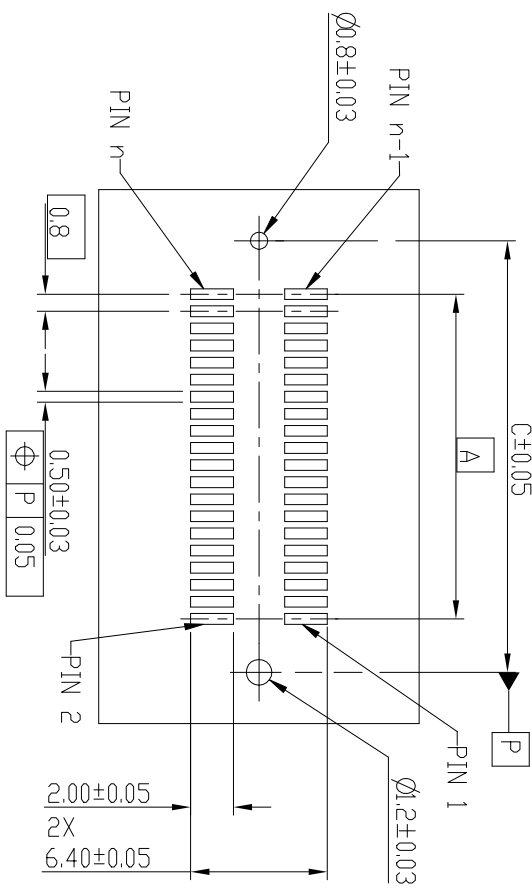
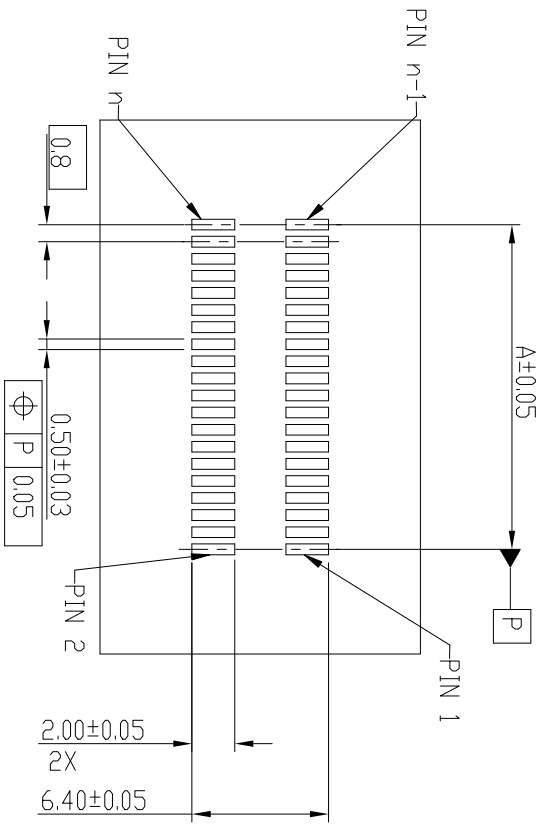
WITH METAL CAP

METAL CAP



- NOTE:
- MATERIAL:
HOUSING: G.F. LCP, NATURAL, UL94-V0
TERMINAL: COPPER ALLOY
 - PLATING: AS SHOWN IN TABLE.
 - SEE GS-12-1424 FOR PRODUCT SPEC.
 - THIS PRODUCT MEETS THE EUROPEAN UNION DIRECTIVES AND OTHER COUNTRY REGULATIONS AS DESCRIBED IN GS-22-008.
 - THE HOUSING WILL WITHSTAND EXPOSURE UP TO 260~ PEAK TEMPERATURE FOR 30 SECONDS IN A CONVECTION, INFRARED OR VAPOR PHASE REFLOW OVEN.

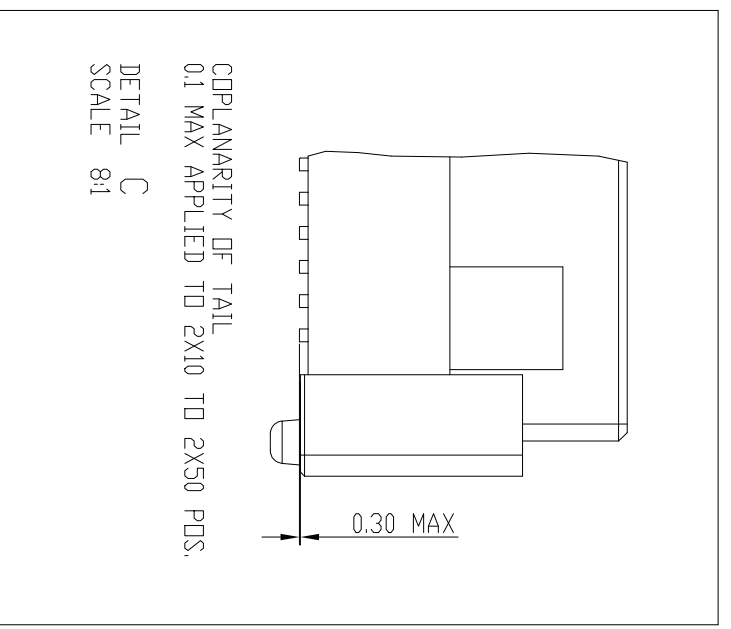
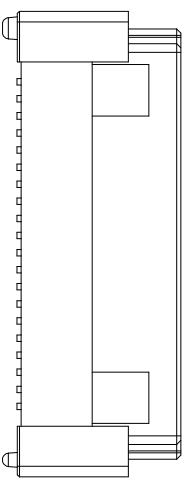
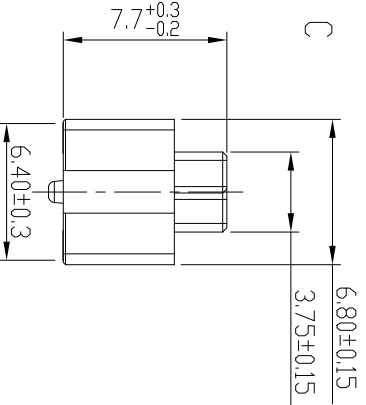
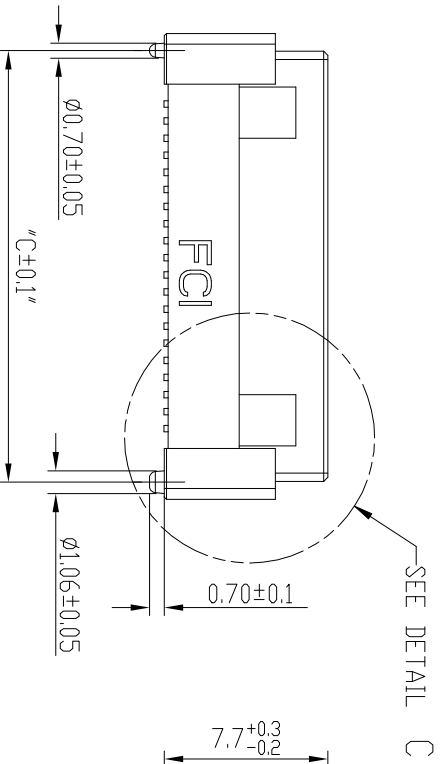
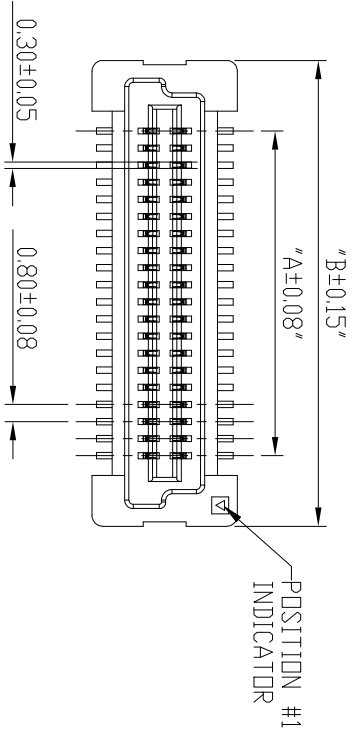
mat'l. code	ecn no	dr	date	surface	tolerance	projection	product family
	A		07/25/17	ISO 1302	ISO 406 ISO	110H	BERGSTAK
	B		02/22/19	tolerances unless otherwise specified		mm	RECEPTACLE ASSY
	C		08/17/22	angles	.05±.2	mm	BERGSTAK 0.8MM
	D		11/30/22	linear	.00±.15	mm	
	E		11/30/22	scale	.000±.10	1:1	
	F		11/30/22	engr	Bob Gu	07/05/17	dwg no
	G		11/30/22	chr	Alan Ni	11/30/22	sheet 1 of 7
	H		11/30/22	qppd	LQ Lei	11/30/22	size
	I		11/30/22	revision	Tim Yoo	11/30/22	A3
	J		11/30/22	sheet			Product Customer Drawing
	K		11/30/22	index			



RECEPTACLE 1

mat'l. code	surface	tolerance	projection	product family
	ISO 1302	ISO 406 ISO	110°	BERGSTAK
tr ecn no dr	tolerances unless otherwise specified			title
	angles	.0±.2	mm	RECEPTACLE ASSY
D	linear	.00±.15	mm	BERGSTAK 0.8MM
	X±2°	.000±.10	scale 1:1	
	dr	Bob Gu 07/05/17		dwg no
	engr	Alan Ni 11/30/22		sheet 3 of 7 size
	chr	LQ Lei 11/30/22		10144517
	qppd	Tim Yoo 11/30/22		A3
sheet	revision	A	B	C
index	sheet	1~7	1~7	1~7

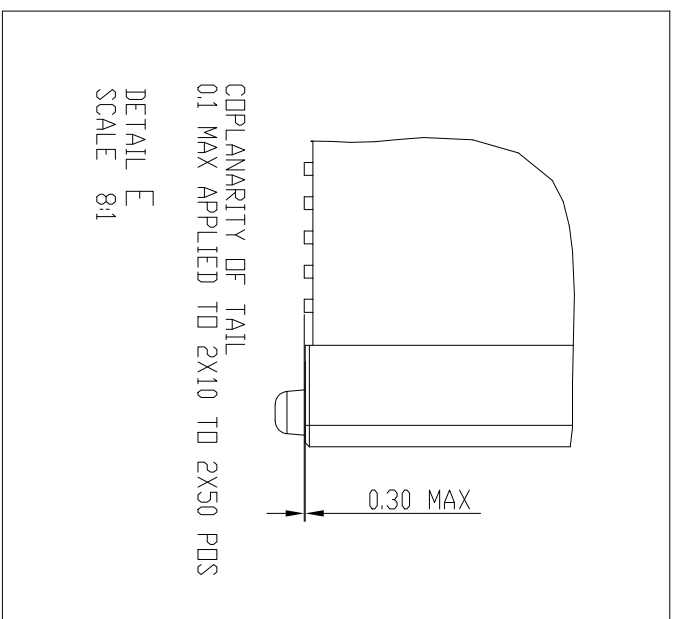
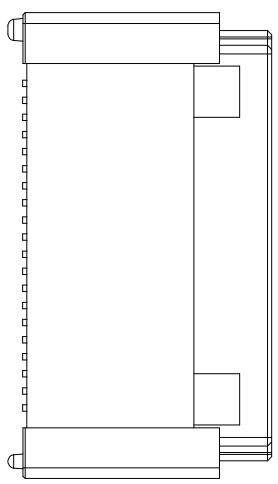
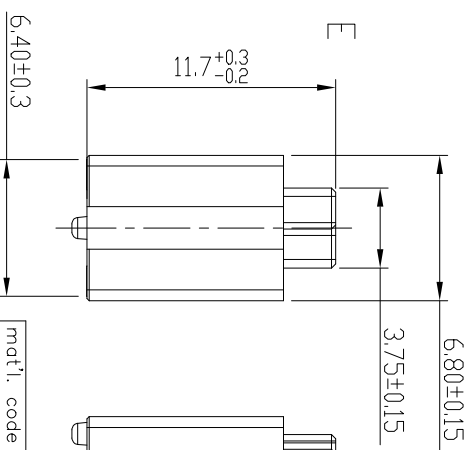
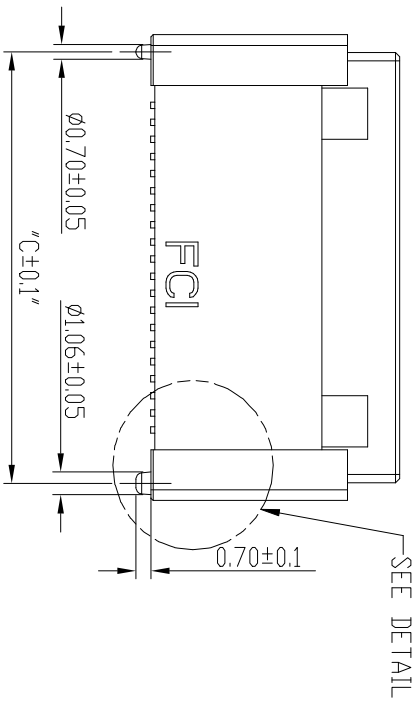
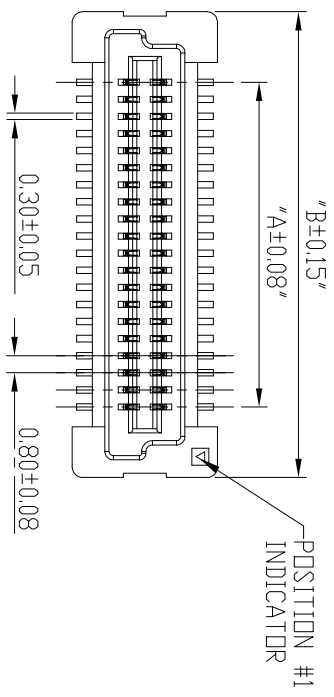
PRODUCT NID	NUMBER OF POSITIONS	DIMENSION		
		A	B	C
10144517-022***	2X10	7.2	13.8	12.2
10144517-042***	2X20	15.2	21.8	20.2
10144517-062***	2X30	23.2	29.8	28.2
10144517-082***	2X40	31.2	37.8	36.2
10144517-102***	2X50	39.2	45.8	44.2



RECEPTACLE 2

mat'l. code	surfc	tolerance	projection	product family
	ISO 1302	ISO 406	ISO 1104	BERGSTAK
	tolerances unless otherwise specified			
	angles	.0±.2	mm	
	linear	.00±.15	mm	
	X±2	.000±.10	scale 1:1	
dr	Bob Gu	07/05/17		
eng	Alan Ni	11/30/22		
chr	LQ Lei	11/30/22		
qppd	Tim Yoo	11/30/22		
sheet index	revision	A	B	C
	sheet	1~7	1~7	1~7
title				product family
RECEPTACLE ASSY				BERGSTAK
BERGSTAK 0.8MM				
dwg no				sheet# of 7 size
10144517				A3
type				Product Customer Drawing

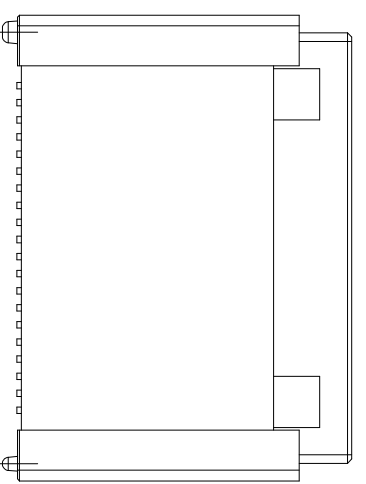
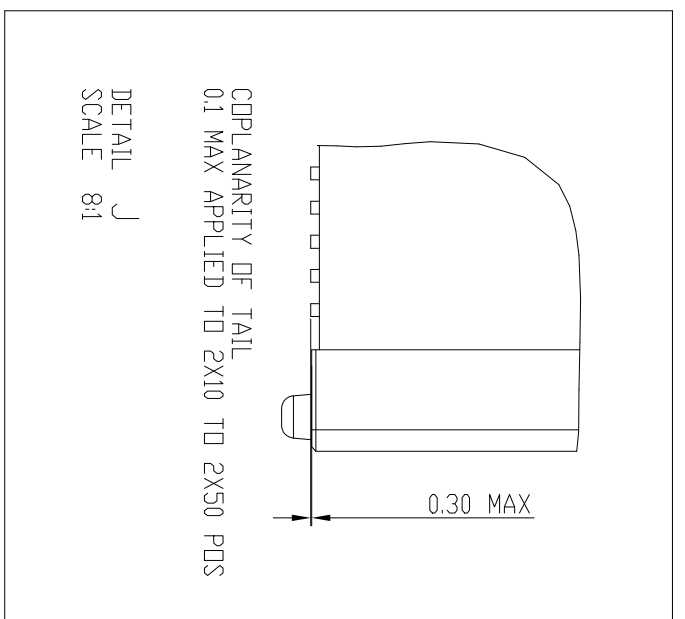
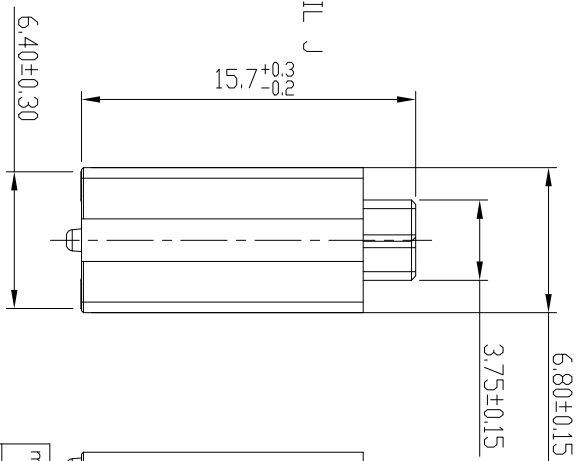
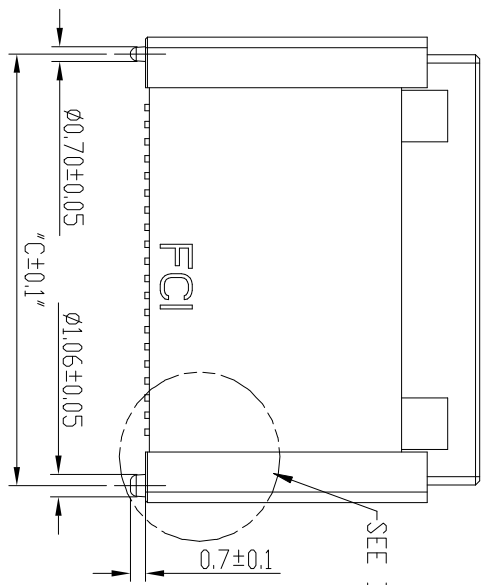
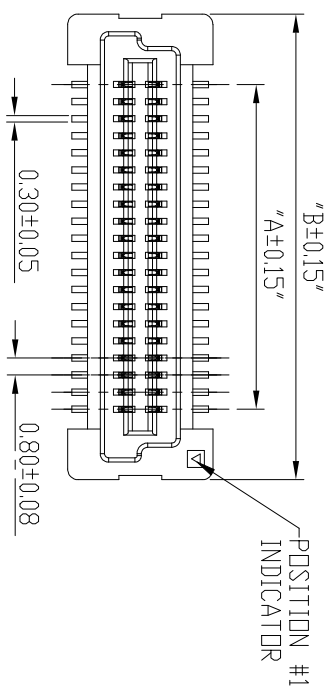
PRODUCT NO.	NUMBER OF POSITIONS	DIMENSION		
		A	B	C
10144517-023***	2X10	7.2	13.8	12.2
10144517-043***	2X20	15.2	21.8	20.2
10144517-063***	2X30	23.2	29.8	28.2
10144517-083***	2X40	31.2	37.8	36.2
10144517-103***	2X50	39.2	45.8	44.2



RECEPTACLE 3

mat'l. code	surface	tolerance	projection	product family										
	ISO 1302	ISO 406	ISO 1101	BERGSTAK										
tolerances unless otherwise specified	ISO 1302	ISO 406	ISO 1101											
angles	.0±.2													
linear	.00±.15													
X±2°	.000±.10	scale 1:1												
dr	Bob Gu	07/05/17												
eng	Alan Ni	11/30/22												
chr	LQ Lei	11/30/22												
qppd	Tim Yeo	11/30/22												
sheet index	revision	A	B	C										
1	1~7	1~7	1~7	1~7										
<table border="1"> <tr> <td>dwg no</td> <td>10144517</td> <td>sheet 5 of 7</td> <td>size</td> <td>A3</td> </tr> <tr> <td>type</td> <td>Product Customer Drawing</td> <td></td> <td></td> <td></td> </tr> </table>					dwg no	10144517	sheet 5 of 7	size	A3	type	Product Customer Drawing			
dwg no	10144517	sheet 5 of 7	size	A3										
type	Product Customer Drawing													

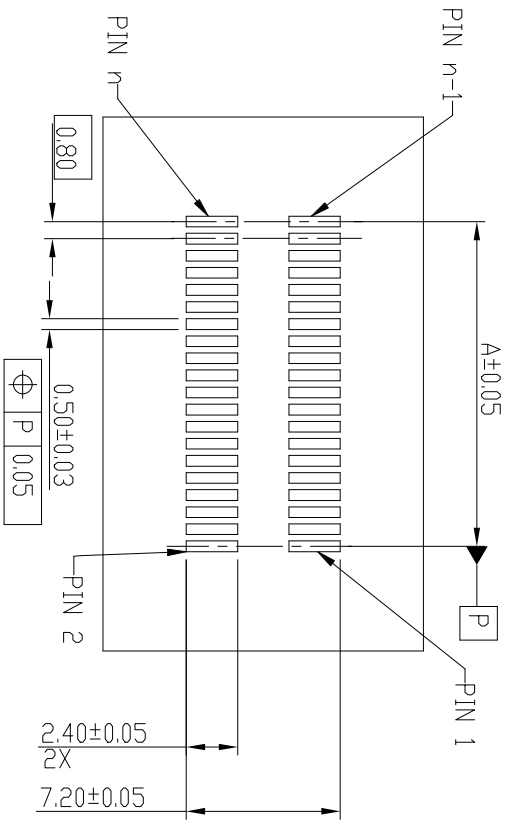
PRODUCT NO.	NUMBER OF POSITIONS	DIMENSION		
		A	B	C
10144517-024***	2X10	7.2	13.8	12.2
10144517-044***	2X20	15.2	21.8	20.2
10144517-064***	2X30	23.2	29.8	28.2
10144517-084***	2X40	31.2	37.8	36.2
10144517-104***	2X50	39.2	45.8	44.2



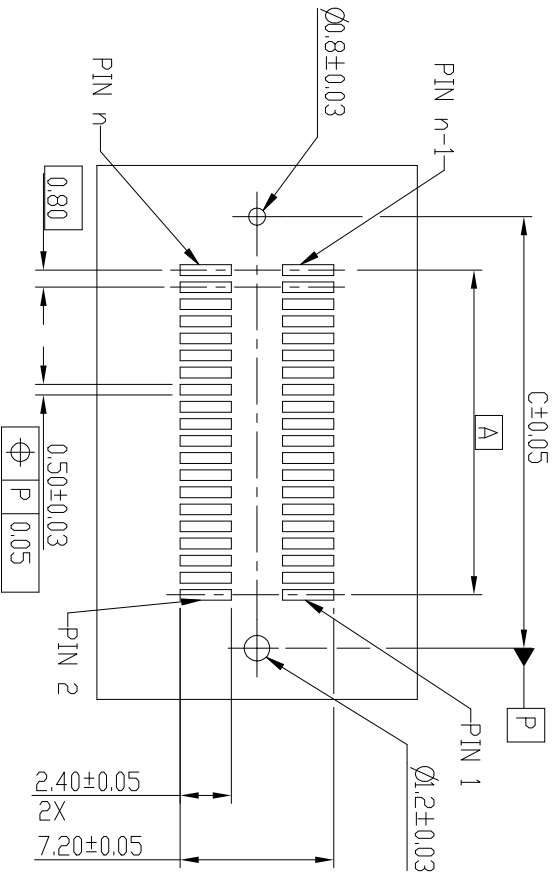
RECEPTACLE 4

mat'l. code	surface	tolerance	projection	product family	
	ISO 1302	ISO 406 ISO	110°	BERGSTAK	
tolerances unless otherwise specified	tolerances unless otherwise specified	scale 1:1	mm	title	
angles: linear	angles: linear			RECEPTACLE ASSY	
°.05, .2	°.05, .15			BERGSTAK 0.8MM	
X±2	.000±.10				
dr	Bob Gu	07/05/17		dwg no	
eng	Alan Ni	11/30/22		10144517	
chr	LQ Lei	11/30/22		sheet 6 of 7 size	
qppd	Tim Yoo	11/30/22		A3	
sheet	revision	A	B	C	D
index	sheet	1~7	1~7	1	1~7

RECEPTACLE 2 & 3 & 4



RECOMMENDED PCB LAYOUT WITHOUT PEGS AND HOLDDOWN



RECOMMENDED PCB LAYOUT WITH PEGS
FOR NO. OF POSITION 2X10, 2X20, 2X30, 2X40, 2X50

mat'l. code	surface	tolerance	projection	product family			
ISO 1302	ISO 406	ISO	110°	BERGSTAK			
tolerances unless otherwise specified	.05, .2			title			
angles	linear	.00±.15	mm	RECEPTACLE ASSY			
X±2°	.000±.10	scale 1:1		BERGSTAK 0.8MM			
dr	Bob Gu	07/05/17		dwg no			
engr	Alan Ni	11/30/22		10144517			
chr	LQ Lei	11/30/22		sheet 7 of 7 size			
qppd	Tim Yoo	11/30/22		A3			
sheet index	revision	A	B	C	D	type	Product Customer Drawing
	sheet	1~7	1~7	1~7			