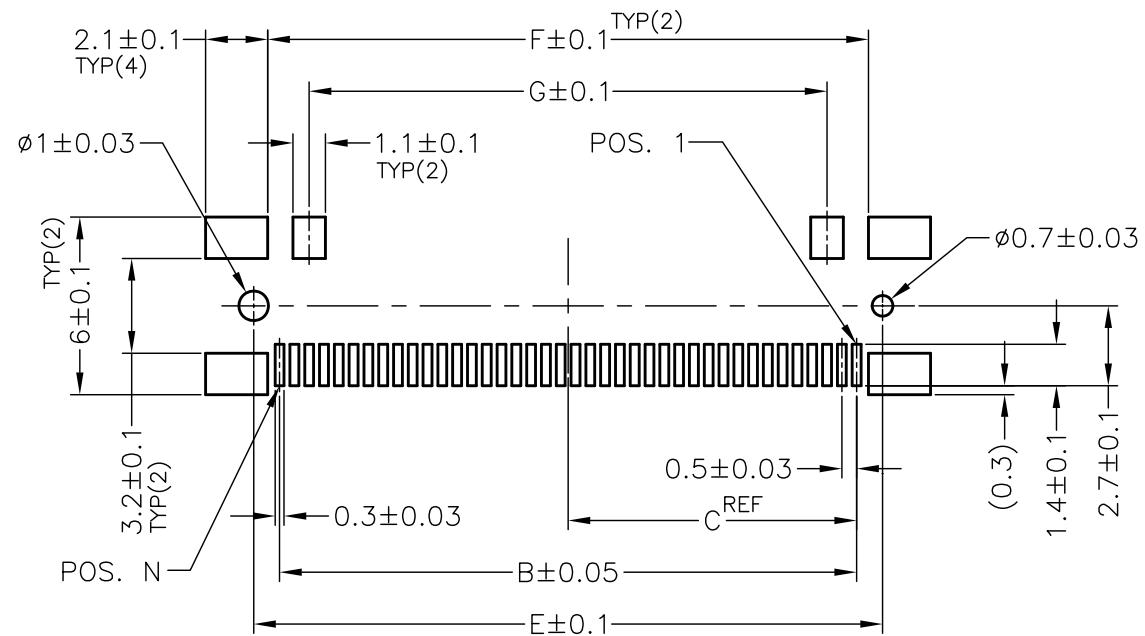
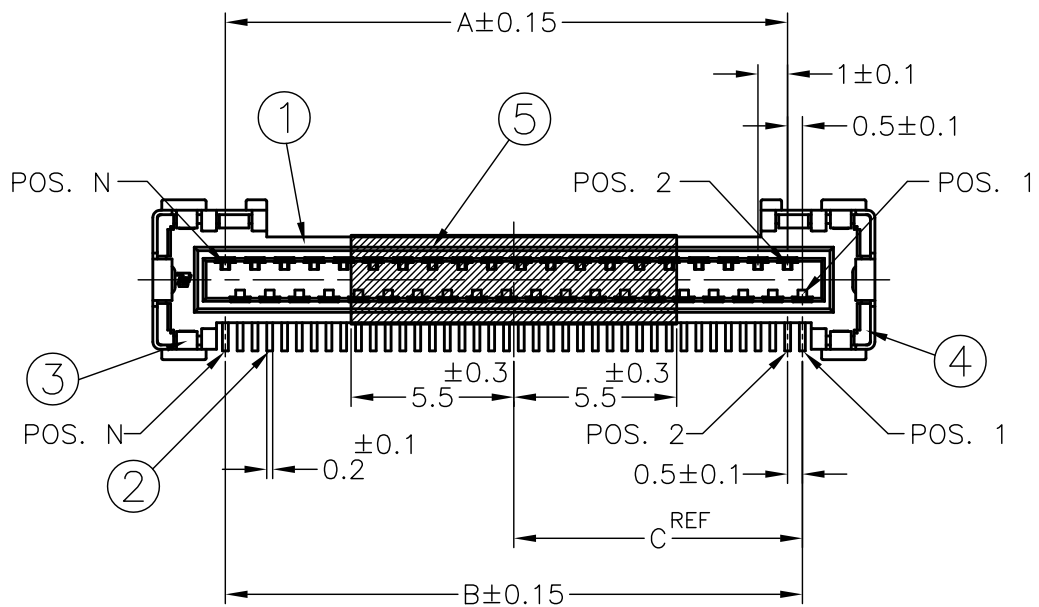
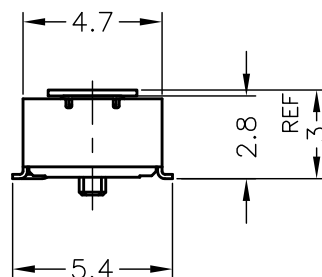
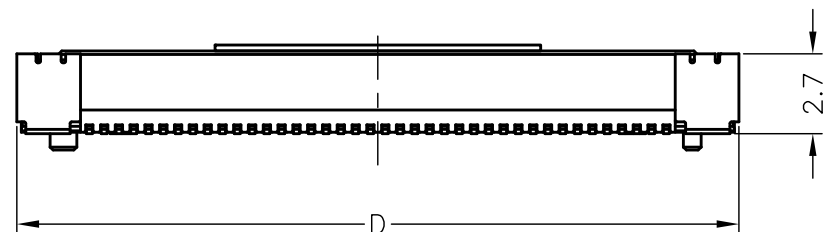


LOC	DIST	REVISIONS			
P	LTR	DESCRIPTION	DATE	DWN	APVD
DW		C2	REVISED (ECR-13-007117)	30APR2013	B.W H.K



REFERENCE P.C. BOARD LAYOUT



NOTE:

- DISCOLORATION OR CHANGING TO BRIGHT MAY HAPPEN DURING REFLOW PROCESS. HOWEVER IT'S NO IMPACT FOR MECHANICAL/ELECTRICAL PERFORMANCE.
- PRODUCT MUST MEET CONTROLLED SUBSTANCES PER TE SPEC: TEC-138-702 SPECIAL REQUEST OF LOW HALOGEN SPEC.:

CHLORINE (Cl): 900 ppm MAX.  
 BROMINE (Br): 900 ppm MAX.  
 Br+Cl: 1500ppm MAX.

SPECIAL REQUEST OF REACH SvHC SPEC ON NON-METAL MATERIAL:

DBP: 1000 ppm MAX.  
 DEHP: 1000 ppm MAX.  
 BBP: 1000 ppm MAX.  
 HBCDD: 1000 ppm MAX.

⑤	POLYIMIDE FILM	POLYIMIDE	BROWN
④	RIGHT SOLDER PEG	COPPER ALLOY	NICKEL 0.0013 MM MIN. UNDER PLATING TIN PLATING 0.002MM MIN. ALL OVER
③	LEFT SOLDER PEG	COPPER ALLOY	NICKEL 0.00127mm MIN. ALL OVER AU 0.000025~0.00008mm MIN. AT TINE AU 0.0002~0.0005mm AT CONTACT AREA
②	CONTACT	COPPER ALLOY	
①	HOUSING	THERMOPLASTIC (UL94 V-0)	BLACK
ITEM	NAME	MATERIAL	FINISH/COLOR

DIMENSION OF EACH SYMBOL

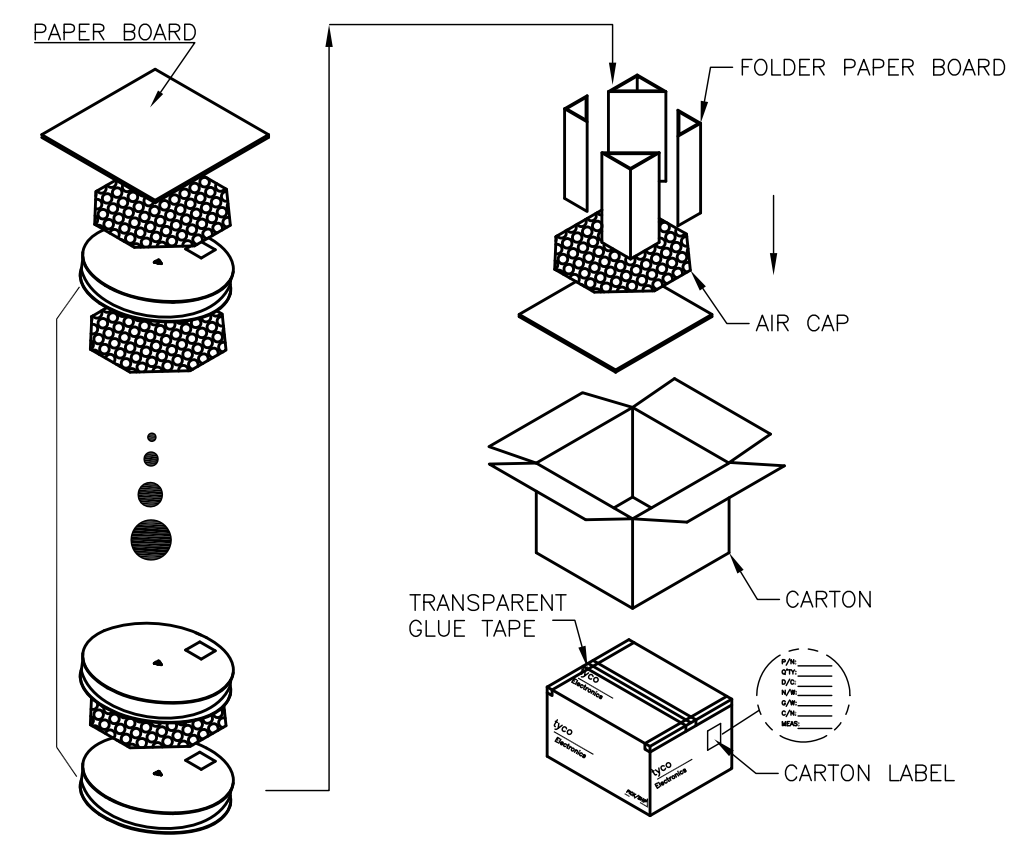
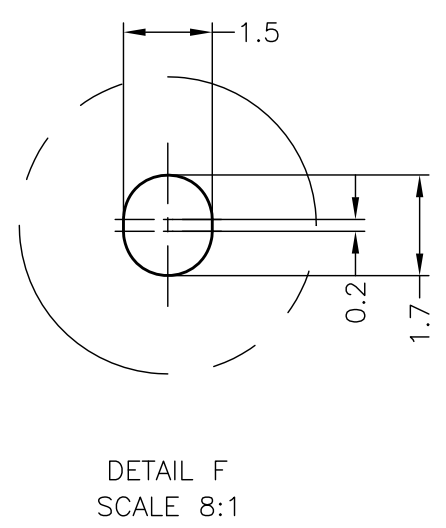
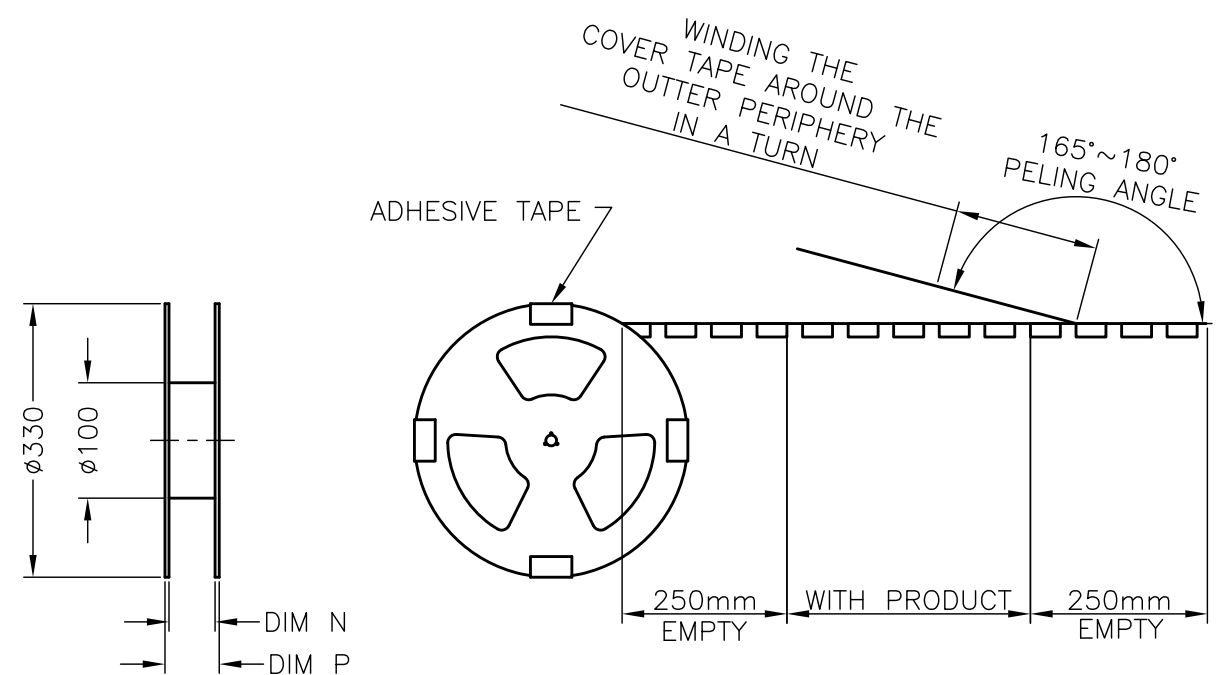
P/N	POS	A	B	C	D	E	F	G	WEIGHT (gram)
2023308-1	20	9	9.5	4.75	14.4	11.25	10.3	7.5	0.21
2023308-2	30	14	14.5	7.25	19.4	16.25	15.3	12.5	0.285
2023308-3	40	19	19.5	9.75	24.4	21.25	20.3	17.5	0.36
2023308-4	50	24	24.5	12.25	29.4	26.25	25.3	22.5	0.435

THIS DRAWING IS A CONTROLLED DOCUMENT.		DWN	N.SOONG	04NOV08	TE Connectivity NAME LCD COAXIAL EMBEDDED DISPLAY INTERFACE (LCEDI) SR SERIES RECEPTACLE ASSY
DIMENSIONS: mm		CHK	C.WAYDE	04NOV08	
TOLERANCES UNLESS OTHERWISE SPECIFIED:		APVD	H.KODAMA	04NOV08	
0 PLC ± 0.2 1 PLC ± 0.2 2 PLC ± 0.2 3 PLC ± 0.2 4 PLC ± 0.2 ANGLES ± 2°		PRODUCT SPEC			
MATERIAL		APPLICATION SPEC		SIZE	A3
FINISH		WEIGHT		CAGE CODE	00779
		CUSTOMER DRAWING		DRAWING NO	2023308
				RESTRICTED TO	
				SCALE	4:1
				SHEET	1 of 2
				REV	C2

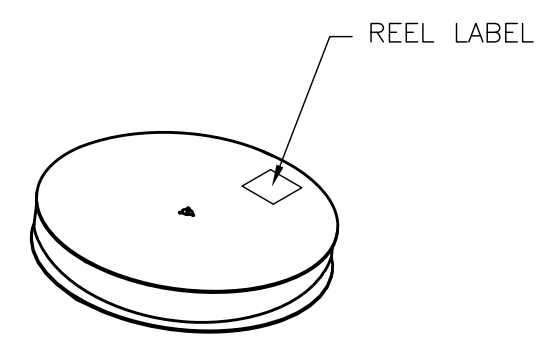
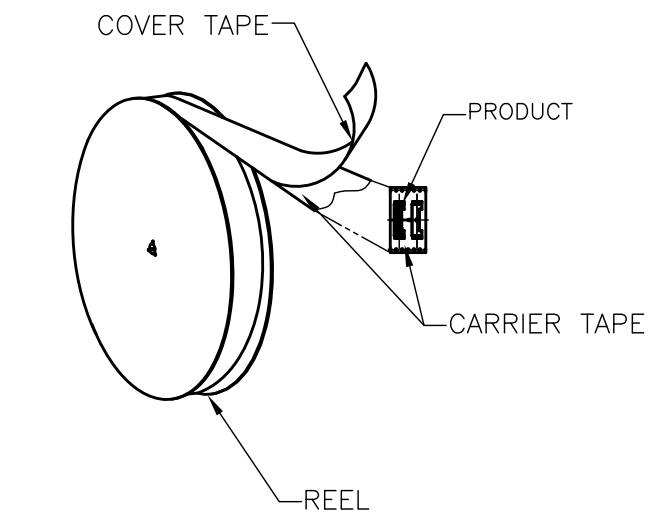
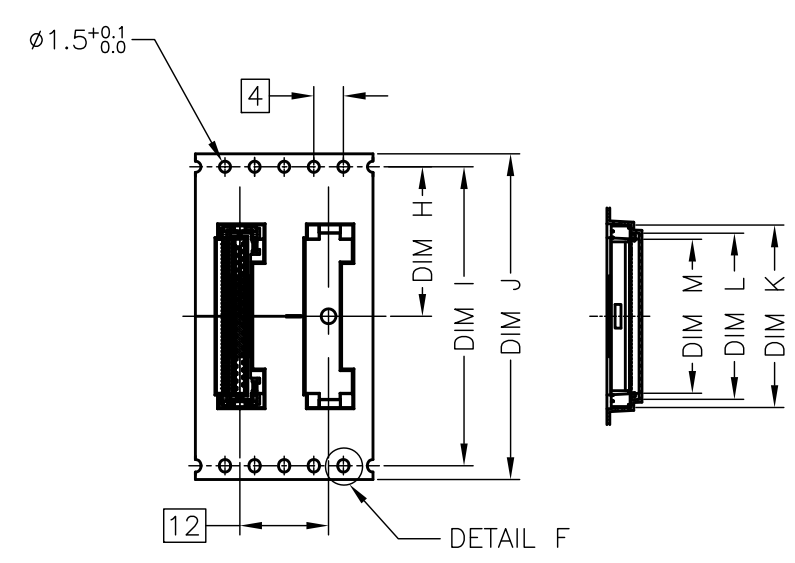
2023308-1, -2, -3, -4 : AS SHOWN

THIS DRAWING IS UNPUBLISHED. RELEASED FOR PUBLICATION  
 © COPYRIGHT - By - ALL RIGHTS RESERVED.

LOC	DIST	REVISIONS			
P	LTR	DESCRIPTION	DATE	DWN	APVD
DW	/	SEE SHEET 1	-	-	-



- MATERIAL: CARRY TAPE: PS, COLOR:BLACK  
COVER TAPE: PET; COLOR: CLEAR.
- CARTON DIMENSIONS: 395X395X225



PCS/REEL	REEL/CARTON	TOTAL Q'TY	POS	P/N
1200	3	3600	50	2023308-4
1200	3	3600	40	2023308-3
1200	3	3600	30	2023308-2
1200	3	3600	30	2023308-1

DIMENSION OF EACH SYMBOL

P/N	POS	H	I	J	K	L	M	N	P
2023308-1	20	8.2	16.4	24	14.7	12.45	10.8	24.4	29.2
2023308-2	30	14.2	28.4	32	19.7	17.45	15.8	32.4	37.2
2023308-3	40	20.2	40.4	44	24.7	22.45	20.8	44.4	49.2
2023308-4	50	26.2	52.4	56	29.7	27.45	25.8	56.4	61.2

THIS DRAWING IS A CONTROLLED DOCUMENT.

DIMENSIONS: mm	TOLERANCES UNLESS OTHERWISE SPECIFIED:	DWN	TE Connectivity
	0 PLC ± 0.3	CHK	NAME LCD COAXIAL EMBEDDED DISPLAY INTERFACE (LCEDI) SR SERIES RECEPTACLE ASSY
	1 PLC ± 0.3	APVD	
	2 PLC ± 0.3	PRODUCT SPEC	SIZE
	3 PLC ± 0.3	APPLICATION SPEC	CAGE CODE
	4 PLC ± 0.3	WEIGHT	DRAWING NO
	ANGLES ± 2'	CUSTOMER DRAWING	RESTRICTED TO
MATERIAL	FINISH		A3 00779 C-2023308
			SCALE 1:1 SHEET 2 OF 2 REV C2