

- Low Supply Voltage Range, 1.8 V to 3.6 V
- Ultralow Power Consumption:
Active Mode: 262 μ A at 1 MHz, 2.2 V
Standby Mode: 1.1 μ A
Off Mode (RAM Retention): 0.1 μ A
- Five Power-Saving Modes
- Wake-Up From Standby Mode in Less Than 6 μ s
- 16-Bit RISC Architecture, 125-ns Instruction Cycle Time
- 16-Bit Sigma-Delta Analog-to-Digital (A/D) Converter With Internal Reference and Five Differential Analog Inputs
- One 12-Bit Digital-to-Analog (D/A) Converter
- 16-Bit Timer_A With Three Capture/Compare Registers
- 16-Bit Timer_B With Three Capture/Compare-With-Shadow Registers
- Two Universal Serial Communication Interfaces (USCI)
USCI_A0
 - Enhanced UART Supporting Auto-Baudrate Detection
 - IrDA Encoder and Decoder
 - Synchronous SPIUSCI_B0
 - I²C™
 - Synchronous SPI
- Integrated LCD Driver With Contrast Control for Up to 128 Segments
- Brownout Detector
- Basic Timer With Real-Time Clock Feature
- Supply Voltage Supervisor/Monitor With Programmable Level Detection
- On-Chip Comparator
- Serial Onboard Programming, No External Programming Voltage Needed, Programmable Code Protection by Security Fuse
- Bootstrap Loader
- On Chip Emulation Module
- MSP430F47x Family Members Include
MSP430F477: 32KB+256B Flash Memory
2KB RAM
MSP430F478: 48KB+256B Flash Memory
2KB RAM
MSP430F479: 60KB+256B Flash Memory
2KB RAM
- Available in 113-Ball BGA (ZQW) and 80-Pin QFP (PN) Packages (See Available Options)
- For Complete Module Descriptions, See the *MSP430x4xx Family User's Guide*, Literature Number SLAU056

description

The Texas Instruments MSP430 family of ultralow-power microcontrollers consists of several devices featuring different sets of peripherals targeted for various applications. The architecture, combined with five low-power modes, is optimized to achieve extended battery life in portable measurement applications. The device features a powerful 16-bit RISC CPU, 16-bit registers, and constant generators that contribute to maximum code efficiency. The digitally controlled oscillator (DCO) allows wake-up from low-power modes to active mode in less than 6 μ s.

The MSP430F47x is a microcontroller configuration with two 16-bit timers, a basic timer with a real-time clock, a high-performance 16-bit sigma-delta A/D converter, single 12-bit D/A converter, two universal serial communication interface, 48 I/O pins, and a liquid crystal display driver.

Typical applications for this device include analog and digital sensor systems, digital motor control, remote controls, thermostats, digital timers, hand-held meters, etc.



This integrated circuit can be damaged by ESD. Texas Instruments recommends that all integrated circuits be handled with appropriate precautions. Failure to observe proper handling and installation procedures can cause damage. ESD damage can range from subtle performance degradation to complete device failure. Precision integrated circuits may be more susceptible to damage because very small parametric changes could cause the device not to meet its published specifications. These devices have limited built-in ESD protection.



Please be aware that an important notice concerning availability, standard warranty, and use in critical applications of Texas Instruments semiconductor products and disclaimers thereto appears at the end of this data sheet.

PRODUCTION DATA information is current as of publication date. Products conform to specifications per the terms of Texas Instruments standard warranty. Production processing does not necessarily include testing of all parameters.

 **TEXAS
INSTRUMENTS**

POST OFFICE BOX 655303 • DALLAS, TEXAS 75265

Copyright © 2009, Texas Instruments Incorporated

MSP430F47x MIXED SIGNAL MICROCONTROLLER

SLAS629A - MARCH 2009 - REVISED APRIL 2009

AVAILABLE OPTIONS[†]

T _A	PACKAGED DEVICES [‡]	
	PLASTIC BGA 113-BALL (ZQW)	PLASTIC 80-PIN QFP (PN)
-40°C to 85°C	MSP430F477IZQW MSP430F478IZQW MSP430F479IZQW	MSP430F477IPN MSP430F478IPN MSP430F479IPN

[†] For the most current package and ordering information, see the Package Option Addendum at the end of this document, or see the TI web site at www.ti.com.

[‡] Package drawings, thermal data, and symbolization are available at www.ti.com/packaging.

DEVELOPMENT TOOL SUPPORT

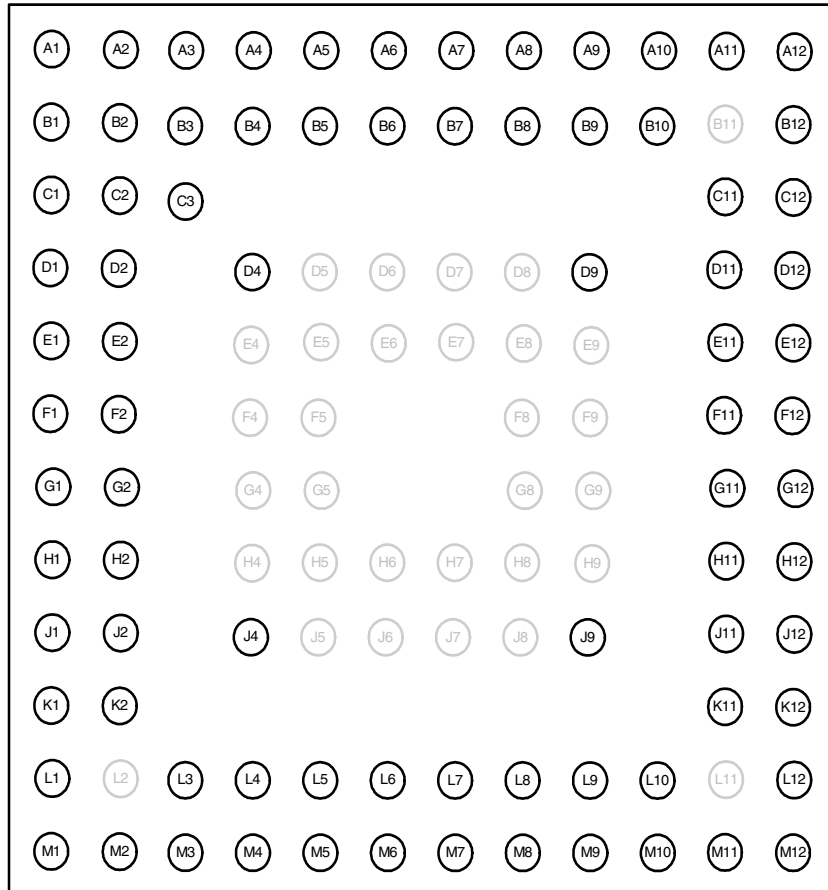
All MSP430 microcontrollers include an Embedded Emulation Module (EEM) allowing advanced debugging and programming through easy to use development tools. Recommended hardware options include the following:

- Debugging and Programming Interface
 - MSP-FET430UIF (USB)
 - MSP-FET430PIF (Parallel Port)
- Debugging and Programming Interface with Target Board
 - MSP-FET430U80 (PN package)
- Production Programmer
 - MSP-GANG430



POST OFFICE BOX 655303 • DALLAS, TEXAS 75265

pin designation, MSP430F47xIZQW

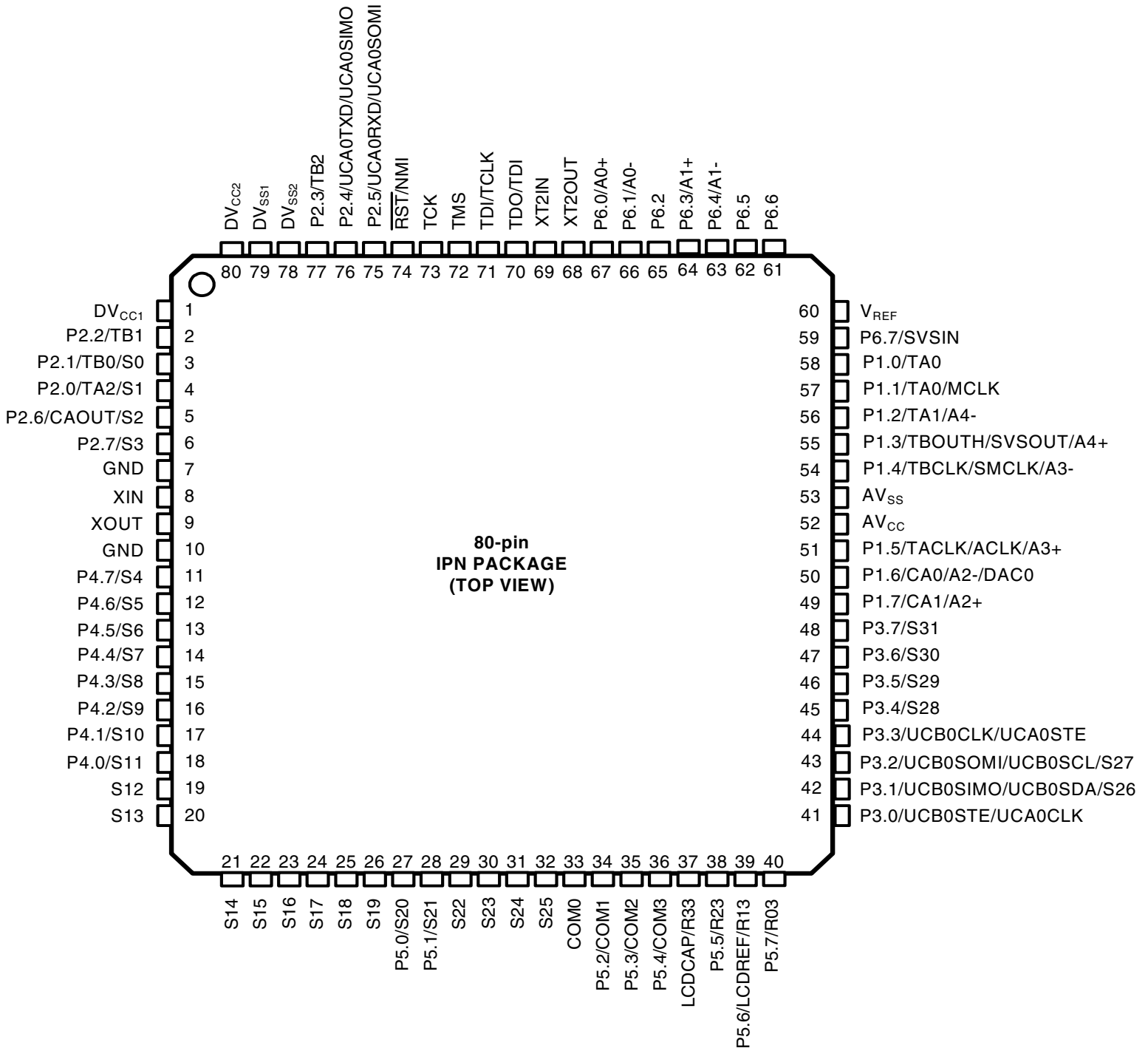


Note: For terminal assignments, see the *MSP430x47x Terminal Functions* table.

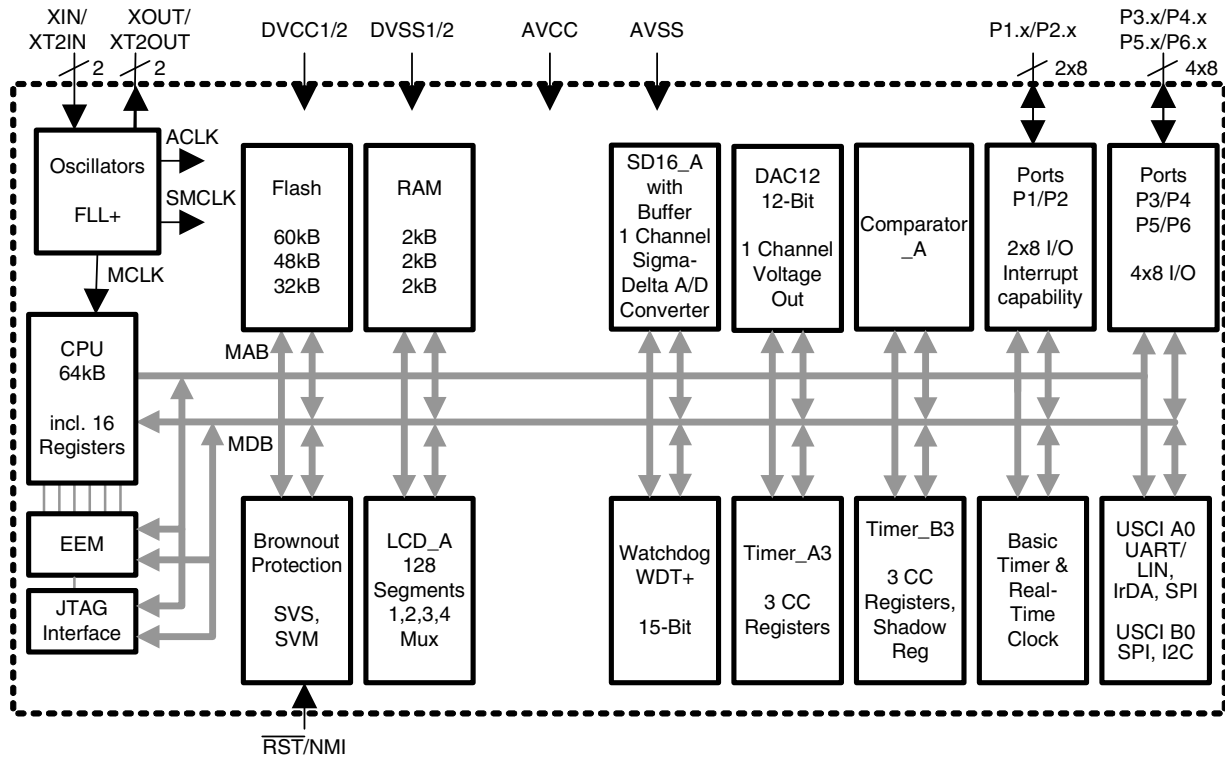
MSP430F47x MIXED SIGNAL MICROCONTROLLER

SLAS629A - MARCH 2009 - REVISED APRIL 2009

pin designation, MSP430F47xIPN



functional block diagram



MSP430F47x MIXED SIGNAL MICROCONTROLLER

SLAS629A - MARCH 2009 - REVISED APRIL 2009

Terminal Functions

TERMINAL			I/O	DESCRIPTION
NAME	NO.			
	80 PIN	113 PIN		
AV _{CC}	52	F12		Analog supply voltage, positive terminal
AV _{SS}	53	E12		Analog supply voltage, negative terminal
DV _{CC1}	1	A1		Digital supply voltage, positive terminal. Supplies all digital parts.
DV _{SS1}	79	A3		Digital supply voltage, negative terminal. Supplies all digital parts.
DV _{CC2}	80	A2		Digital supply voltage, positive terminal. Supplies all digital parts.
DV _{SS2}	78	B2 B3		Digital supply voltage, negative terminal. Supplies all digital parts.
P1.0/TA0	58	C11	I/O	General-purpose digital I/O pin Timer_A, capture: CCI0A input, compare: Out0 output BSL transmit
P1.1/TA0/MCLK	57	C12	I/O	General-purpose digital I/O pin Timer_A, capture: CCI0B input, compare: Out0 output MCLK signal output BSL receive
P1.2/TA1/A4-	56	D11	I/O	General-purpose digital I/O pin Timer_A, capture: CCI1A input, compare: Out1 output SD16 negative analog input A4
P1.3/TBOUTH/ SVSOUT/A4+)	55	D12	I/O	General-purpose digital I/O pin/Timer_A, capture: CCI2A input, compare: Out2 output switch all PWM digital output ports to high impedance - Timer_B TB0 to TB2 SVS comparator output SD16 positive analog input A4
P1.4/TBCLK/ SMCLK/A3-	54	E11	I/O	General-purpose digital I/O pin/ Timer_B, clock signal TBCLK input SMCLK signal output SD16 negative analog input A3
P1.5/TACLK/ ACLK/A3+	51	F11	I/O	General-purpose digital I/O pin Timer_A, clock signal TACLK input ACLK signal output SD16 positive analog input A3
P1.6/CA0/A2-/ DAC0	50	G12	I/O	General-purpose digital I/O pin Comparator_A input 0 SD16 negative analog input A2 DAC12.0 output
P1.7/CA1/A2+	49	G11	I/O	General-purpose digital I/O pin Comparator_A input 1 SD16 positive analog input A2
P2.0/TA2/S1	4	C2 C3	I/O	General-purpose digital I/O pin Timer_A, capture: CCI2A/B input, compare: Out2 output LCD segment output 1
P2.1/TB0/S0	3	C1	I/O	General-purpose digital I/O pin Timer_B, capture: CCI0A/B input, compare: Out0 output LCD segment output 0



Terminal Functions (continued)

TERMINAL			I/O	DESCRIPTION
NAME	NO.			
	80 PIN	113 PIN		
P2.2/TB1	2	B1	I/O	General-purpose digital I/O pin Timer_B, capture: CCI1A/B input, compare: Out1 output
P2.3/TB2	77	B4	I/O	General-purpose digital I/O pin Timer_B, capture: CCI2A/B input, compare: Out2 output
P2.4/UCA0TXD/ UCA0SIMO	76	A4	I/O	General-purpose digital I/O pin USCIA transmit data output in UART mode, slave data in/master out in SPI mode
P2.5/UCA0RXD/ UCA0SOMI	75	D4	I/O	General-purpose digital I/O pin USCI A0 receive data input in UART mode, slave data out/master in in SPI mode
P2.6/CAOUT/S2	5	D1	I/O	General-purpose digital I/O pin Comparator_A output LCD segment output 2
P2.7/S3	6	D2	I/O	General-purpose digital I/O pin LCD segment output 3
P3.0/UCB0STE/ UCA0CLK	41	M12	I/O	General-purpose digital I/O pin USCI B0 slave transmit enable/USCI A0 clock input/output
P3.1/UCB0SIMO/ UCB0SDA/S26	42	L12	I/O	General-purpose digital I/O pin USCI B0 slave in/master out in SPI mode, SDA I ² C data in I ² C mode LCD segment output 26
P3.2/UCB0SOMI/ UCB0SCL/S27	43	K11	I/O	General-purpose digital I/O pin USCI B0 slave out/master in in SPI mode, SCL I ² C clock in I ² C mode LCD segment output 27
P3.3/UCB0CLK/ UCA0STE	44	K12	I/O	General-purpose digital I/O USCI B0 clock input/output, USCI A0 slave transmit enable
P3.4/S28	45	J11	I/O	General-purpose digital I/O pin LCD segment output 28
P3.5/S29	46	J12	I/O	General-purpose digital I/O pin LCD segment output 29
P3.6/S30	47	H11	I/O	General-purpose digital I/O pin LCD segment output 30
P3.7/S31	48	H12	I/O	General-purpose digital I/O pin LCD segment output 31
P4.0/S11	18	K2	I/O	General-purpose digital I/O pin LCD segment output 11
P4.1/S10	17	K1	I/O	General-purpose digital I/O pin LCD segment output 10
P4.2/S9	16	J2	I/O	General-purpose digital I/O pin LCD segment output 9
P4.3/S8	15	J1	I/O	General-purpose digital I/O pin LCD segment output 8
P4.4/S7	14	H2	I/O	General-purpose digital I/O pin LCD segment output 7
P4.5/S6	13	H1	I/O	General-purpose digital I/O pin LCD segment output 6
P4.6/S5	12	G2	I/O	General-purpose digital I/O pin LCD segment output 5
P4.7/S4	11	G1	I/O	General-purpose digital I/O pin LCD segment output 4

MSP430F47x MIXED SIGNAL MICROCONTROLLER

SLAS629A - MARCH 2009 - REVISED APRIL 2009

Terminal Functions (continued)

TERMINAL			I/O	DESCRIPTION
NAME	NO.			
	80 PIN	113 PIN		
COM0	33	L8	O	Common output, COM0-3 are used for LCD backplanes
P5.0/S20	27	L5	I/O	General-purpose digital I/O pin LCD segment output 20
P5.1/S21	28	M5	I/O	General-purpose digital I/O pin LCD segment output 21
P5.2/COM1	34	M8	I/O	General-purpose digital I/O pin common output, COM0-3 are used for LCD backplanes
P5.3/COM2	35	L9	I/O	General-purpose digital I/O pin common output, COM0-3 are used for LCD backplanes
P5.4/COM3	36	M9	I/O	General-purpose digital I/O pin common output, COM0-3 are used for LCD backplanes
LDCAP/R33	37	J9	I/O	Capacitor connection for LCD charge pump input port of most positive analog LCD level (V4)
P5.5/R23	38	M10	I/O	General-purpose digital I/O pin input port of the second most positive analog LCD level (V3)
P5.6/LCDREF/ R13	39	L10	I/O	General-purpose digital I/O pin External LCD reference voltage input input port of the third most positive analog LCD level (V3 or V2)
P5.7/R03	40	M11	I/O	General-purpose digital I/O pin input port of the fourth most positive analog LCD level (V1)
P6.0/A0+	67	B8	I/O	General-purpose digital I/O pin SD16 positive analog input A0
P6.1/A0-	66	B9	I/O	General-purpose digital I/O pin SD16 positive negative input A0
P6.2	65	A9	I/O	General-purpose digital I/O pin
P6.3/A1+	64	D9	I/O	General-purpose digital I/O pin SD16 positive analog input A1
P6.4/A1-	63	A10	I/O	General-purpose digital I/O pin SD16 positive negative input A1
P6.5	62	B10	I/O	General-purpose digital I/O pin
P6.6	61	A11	I/O	General-purpose digital I/O pin
P6.7/SVSIN	59	B12	I/O	General-purpose digital I/O pin SVS input
S12	19	L1	O	LCD segment output 12
S13	20	M1	O	LCD segment output 13
S14	21	M2	O	LCD segment output 14
S15	22	M3	O	LCD segment output 15
S16	23	L3	O	LCD segment output 16



POST OFFICE BOX 655303 • DALLAS, TEXAS 75265

Terminal Functions (continued)

TERMINAL			I/O	DESCRIPTION
NAME	NO.			
	80 PIN	113 PIN		
S17	24	L4	O	LCD segment output 17
S18	25	M4	O	LCD segment output 18
S19	26	J4	O	LCD segment output 19
S22	29	L6	O	LCD segment output 22
S23	30	M6	O	LCD segment output 23
S24	31	L7	O	LCD segment output 24
S25	32	M7	O	LCD segment output 25
GND	7	E2		Ground. It is used to shield the oscillator. See Note 1.
XIN	8	E1	I	Input port for crystal oscillator XT1. Standard or watch crystals can be connected.
XOUT	9	F1	O	Output port for crystal oscillator XT1. Standard or watch crystals can be connected.
GND	10	F2		Ground. It is used to shield the oscillator. See Note 1.
V _{REF}	60	A12	O	Input for an external reference voltage/internal reference voltage output
RST/NMI	74	B5	I	Reset input, nonmaskable interrupt input port, or bootstrap loader start (in flash devices).
TCK	73	A5	I	Test clock (JTAG). TCK is the clock input port for device programming test and bootstrap loader start.
TDI/TCLK	71	A6	I	Test data input or test clock input. The device protection fuse is connected to TDI/TCLK.
TDO/TDI	70	B7	I/O	Test data output port. TDO/TDI data output or programming data input terminal.
TMS	72	B6	I	Test mode select. TMS is used as an input port for device programming and test.
XT2OUT	68	A8	O	Output terminal of crystal oscillator XT2
XT2IN	69	A7	I	Input port for crystal oscillator XT2
Reserved	NA	B11, D6, D7, D8, E4, E5, E6, E7, E8, E9, F4, F5, F8, F9, G4, G5, G8, G9, H4, H5, H6, H7, H8, H9, J5, J6, J7, J8, L11		BGA package unused balls. Connection to DV _{SS} /AV _{SS} recommended.

NOTE 1: It is recommended to connect GND externally to DV_{SS}.

MSP430F47x MIXED SIGNAL MICROCONTROLLER

SLAS629A - MARCH 2009 - REVISED APRIL 2009

short-form description

CPU

The MSP430 CPU has a 16-bit RISC architecture that is highly transparent to the application. All operations, other than program-flow instructions, are performed as register operations in conjunction with seven addressing modes for source operand and four addressing modes for destination operand.

The CPU is integrated with 16 registers that provide reduced instruction execution time. The register-to-register operation execution time is one cycle of the CPU clock.

Four of the registers, R0 to R3, are dedicated as program counter, stack pointer, status register, and constant generator, respectively. The remaining registers are general-purpose registers.

Peripherals are connected to the CPU using data, address, and control buses, and can be handled with all instructions.

instruction set

The instruction set consists of 51 instructions with three formats and seven address modes. Each instruction can operate on word and byte data. Table 1 shows examples of the three types of instruction formats, and Table 2 shows the address modes.

Program Counter	PC/R0
Stack Pointer	SP/R1
Status Register	SR/CG1/R2
Constant Generator	CG2/R3
General-Purpose Register	R4
General-Purpose Register	R5
General-Purpose Register	R6
General-Purpose Register	R7
General-Purpose Register	R8
General-Purpose Register	R9
General-Purpose Register	R10
General-Purpose Register	R11
General-Purpose Register	R12
General-Purpose Register	R13
General-Purpose Register	R14
General-Purpose Register	R15

Table 1. Instruction Word Formats

Dual operands, source-destination	e.g., ADD R4, R5	R4 + R5 ---> R5
Single operands, destination only	e.g., CALL R8	PC -->(TOS), R8--> PC
Relative jump, un/conditional	e.g., JNE	Jump-on-equal bit = 0

Table 2. Address Mode Descriptions

ADDRESS MODE	S	D	SYNTAX	EXAMPLE	OPERATION
Register	●	●	MOV Rs, Rd	MOV R10, R11	R10 → R11
Indexed	●	●	MOV X(Rn), Y(Rm)	MOV 2(R5), 6(R6)	M(2+R5) → M(6+R6)
Symbolic (PC relative)	●	●	MOV EDE, TONI		M(EDE) → M(TONI)
Absolute	●	●	MOV & MEM, & TCDAT		M(MEM) → M(TCDAT)
Indirect	●		MOV @Rn, Y(Rm)	MOV @R10, Tab(R6)	M(R10) → M(Tab+R6)
Indirect autoincrement	●		MOV @Rn+, Rm	MOV @R10+, R11	M(R10) → R11 R10 + 2 → R10
Immediate	●		MOV #X, TONI	MOV #45, TONI	#45 → M(TONI)

NOTE: S = source D = destination



operating modes

The MSP430 has one active mode and five software-selectable low-power modes of operation. An interrupt event can wake up the device from any of the five low-power modes, service the request, and restore back to the low-power mode on return from the interrupt program.

The following six operating modes can be configured by software:

- Active mode (AM)
 - All clocks are active
- Low-power mode 0 (LPM0)
 - CPU is disabled
 - ACLK and SMCLK remain active
 - FLL+ loop control remains active
- Low-power mode 1 (LPM1)
 - CPU is disabled
 - ACLK and SMCLK remain active
 - FLL+ loop control is disabled
- Low-power mode 2 (LPM2)
 - CPU is disabled
 - MCLK, FLL+ loop control, and DCOCLK are disabled
 - DCO's dc generator remains enabled
 - ACLK remains active
- Low-power mode 3 (LPM3)
 - CPU is disabled
 - MCLK, FLL+ loop control, and DCOCLK are disabled
 - DCO's dc generator is disabled
 - ACLK remains active
- Low-power mode 4 (LPM4)
 - CPU is disabled
 - ACLK is disabled
 - MCLK, FLL+ loop control, and DCOCLK are disabled
 - DCO's dc generator is disabled
 - Crystal oscillator is stopped

MSP430F47x MIXED SIGNAL MICROCONTROLLER

SLAS629A - MARCH 2009 - REVISED APRIL 2009

interrupt vector addresses

The interrupt vectors and the power-up starting address are located in the address range 0xFFFF to 0xFFC0. The vector contains the 16-bit address of the appropriate interrupt-handler instruction sequence.

If the reset vector (located at address 0xFFFFE) contains 0xFFFF (e.g., flash is not programmed) the CPU goes into LPM4 immediately after power-up.

INTERRUPT SOURCE	INTERRUPT FLAG	SYSTEM INTERRUPT	WORD ADDRESS	PRIORITY
Power-Up External Reset Watchdog Flash Memory PC Out-of-Range (see Note 4)	PORIFG RSTIFG WDTIFG KEYV (see Note 1)	Reset	0xFFFFE	15, highest
NMI Oscillator Fault Flash Memory Access Violation	NMIIFG (see Notes 1 and 3) OFIFG (see Notes 1 and 3) ACCVIFG (see Notes 1, 2 and 4)	(Non)maskable (Non)maskable (Non)maskable	0xFFFC	14
Timer_B3	TBCCR0 CCIFG0 (see Note 2)	Maskable	0xFFFA	13
Timer_B3	TBCCR1 CCIFG1 ... TBCCR3 CCIFG3, TBIFG (see Notes 1 and 2)	Maskable	0xFFF8	12
Comparator_A	CAIFG	Maskable	0xFFF6	11
Watchdog Timer+	WDTIFG	Maskable	0xFFF4	10
USCI_A0/USCI_B0 receive USCI_B0 I2C status	UCA0RXIFG, UCB0RXIFG (see Notes 1 and 5)	Maskable	0xFFF2	9
USCI_A0/USCI_B0 transmit USCI_B0 I2C receive/transmit	UCA0TXIFG, UCB0TXIFG (see Note 1 and 6)	Maskable	0xFFF0	8
SD16_A	SD16CCTLx SD16OVIFG, SD16CCTLx SD16IFG (see Notes 1 and 2)	Maskable	0xFFEE	7
Timer_A3	TACCR0 CCIFG0 (see Note 2)	Maskable	0xFFEC	6
Timer_A3	TACCR1 CCIFG1 and TACCR2 CCIFG2, TAIFG (see Notes 1 and 2)	Maskable	0xFFEA	5
I/O Port P1 (Eight Flags)	P1IFG.0 to P1IFG.7 (see Notes 1 and 2)	Maskable	0xFFE8	4
DAC12	DAC12_0IFG, DAC12_1IFG	Maskable	0xFFE6	3
		Maskable	0xFFE4	2
I/O Port P2 (Eight Flags)	P2IFG.0 to P2IFG.7 (see Notes 1 and 2)	Maskable	0xFFE2	1
Basic Timer1/RTC	BTIFG	Maskable	0xFFE0	0, lowest

- NOTES:
- Multiple source flags
 - Interrupt flags are located in the module.
 - A reset is generated if the CPU tries to fetch instructions from within the module register memory address range (0h to 01FFh). (Non)maskable: the individual interrupt-enable bit can disable an interrupt event, but the general-interrupt enable cannot disable it.
 - Access and key violations, KEYV and ACCVIFG.
 - In SPI mode: UCB0RXIFG. In I2C mode: UCALIFG, UCNACKIFG, ICSTTIFG, UCSTPIFG.
 - In UART/SPI mode: UCB0TXIFG. In I2C mode: UCB0RXIFG, UCB0TXIFG.



special function registers

Most interrupt and module-enable bits are collected in the lowest address space. Special-function register bits not allocated to a functional purpose are not physically present in the device. This arrangement provides simple software access.

interrupt enable 1 and 2

Address	7	6	5	4	3	2	1	0
00h			ACCVIE	NMIIE			OFIE	WDTIE
			rw-0	rw-0			rw-0	rw-0

WDTIE Watchdog timer interrupt enable. Inactive if watchdog mode is selected. Active if watchdog timer is configured in interval timer mode.

OFIE Oscillator fault enable

NMIIE (Non)maskable interrupt enable

ACCVIE Flash access violation interrupt enable

Address	7	6	5	4	3	2	1	0
01h	BTIE				UCB0TXIE	UCB0RXIE	UCA0TXIE	UCA0RXIE
	rw-0				rw-0	rw-0	rw-0	rw-0

UCA0RXIE USCI_A0 receive interrupt enable

UCA0TXIE USCI_A0 transmit interrupt enable

UCB0RXIE USCI_B0 receive interrupt enable

UCB0TXIE USCI_B0 transmit interrupt enable

BTIE Basic timer interrupt enable

MSP430F47x MIXED SIGNAL MICROCONTROLLER

SLAS629A - MARCH 2009 - REVISED APRIL 2009


interrupt flag register 1 and 2

Address	7	6	5	4	3	2	1	0
02h				NMIIFG	RSTIFG	PORIFG	OFIFG	WDTIFG
				rw-0	rw-(0)	rw-(1)	rw-1	rw-(0)

- WDTIFG Set on watchdog timer overflow (in watchdog mode) or security key violation. Reset on V_{CC} power-up or a reset condition at $\overline{\text{RST}}$ /NMI pin in reset mode.
- OFIFG Flag set on oscillator fault
- RSTIFG External reset interrupt flag. Set on a reset condition at $\overline{\text{RST}}$ /NMI pin in reset mode. Reset on V_{CC} power-up.
- PORIFG Power-on interrupt flag. Set on V_{CC} power-up.
- NMIIFG Set via $\overline{\text{RST}}$ /NMI pin.

Address	7	6	5	4	3	2	1	0
03h	BTIFG				UCB0 TXIFG	UCB0 RXIFG	UCA0 TXIFG	UCA0 RXIFG
	rw-0				rw-1	rw-0	rw-1	rw-0

- UCA0RXIFG USCI_A0 receive interrupt flag
- UCA0TXIFG USCI_A0 transmit interrupt flag
- UCB0RXIFG USCI_B0 receive interrupt flag
- UCB0TXIFG USCI_B0 transmit interrupt flag
- BTIFG Basic Timer1 interrupt flag

- Legend**
- rw:** Bit can be read and written.
- rw-0, 1:** Bit can be read and written. It is Reset or Set by PUC.
- rw-(0, 1):** Bit can be read and written. It is Reset or Set by POR.
-  SFR bit is not present in device

memory organization

		MSP430F477	MSP430F478	MSP430F479
Memory	Size	32KB	48KB	60KB
Main: interrupt vector	Flash	0FFFFh to 0FFE0h	0FFFFh to 0FFE0h	0FFFFh to 0FFE0h
Main: code memory	Flash	0FFFFh to 08000h	0FFFFh to 04000h	0FFFFh to 01100h
Information memory	Size	256 Byte	256 Byte	256 Byte
	Flash	010FFh to 01000h	010FFh to 01000h	010FFh to 01000h
Boot memory	Size	1KB	1KB	1KB
	ROM	0FFFh to 0C00h	0FFFh to 0C00h	0FFFh to 0C00h
RAM	Size	2KB	2KB	2KB
		09FFh to 0200h	09FFh to 0200h	09FFh to 0200h
Peripherals	16-bit	01FFh to 0100h	01FFh to 0100h	01FFh to 0100h
	8-bit	0FFh to 010h	0FFh to 010h	0FFh to 010h
	8-bit SFR	0Fh to 00h	0Fh to 00h	0Fh to 00h

bootstrap loader (BSL)

The MSP430 BSL enables users to program the flash memory or RAM using a UART serial interface. Access to the MSP430 memory via the BSL is protected by user-defined password. For complete description of the features of the BSL and its implementation, see the application report *Features of the MSP430 Bootstrap Loader*, literature number SLAA089.

BSL Function	PN Package Pins	ZQW Package Pins
Data Transmit	58 - P1.0	C11 - P1.0
Data Receive	57 - P1.1	C12 - P1.1

flash memory (Flash)

The flash memory can be programmed via the JTAG port, the bootstrap loader, or in-system by the CPU. The CPU can perform single-byte and single-word writes to the flash memory. Features of the flash memory include:

- Flash memory has n segments of main memory and four segments of information memory (A to D) of 64 bytes each. Each segment in main memory is 512 bytes in size.
- Segments 0 to n may be erased in one step, or each segment may be individually erased.
- Segments A to D can be erased individually, or as a group with segments 0 to n. Segments A to D are also called *information memory*.
- Segment A might contain calibration data. After reset, segment A is protected against programming or erasing. It can be unlocked, but care should be taken not to erase this segment if the calibration data is required.
- Flash content integrity check with marginal read modes.

MSP430F47x

MIXED SIGNAL MICROCONTROLLER

SLAS629A - MARCH 2009 - REVISED APRIL 2009

peripherals

Peripherals are connected to the CPU through data, address, and control buses and can be handled using all instructions. For complete module descriptions, see the *MSP430x4xx Family User's Guide*, literature number SLAU056.

oscillator and system clock

The clock system in the MSP430F47x is supported by the FLL+ module that includes support for a 32768-Hz watch crystal oscillator, an internal digitally-controlled oscillator (DCO), and an 8-MHz high-frequency crystal oscillator (XT1), plus an 8-MHz high-frequency crystal oscillator (XT2). The FLL+ clock module is designed to meet the requirements of both low system cost and low power consumption. The FLL+ features digital frequency locked loop (FLL) hardware that, in conjunction with a digital modulator, stabilizes the DCO frequency to a programmable multiple of the watch-crystal frequency. The internal DCO provides a fast turn-on clock source and stabilizes in less than 6 μ s. The FLL+ module provides the following clock signals:

- Auxiliary clock (ACLK), sourced from a 32768-Hz watch crystal or a high-frequency crystal
- Main clock (MCLK), the system clock used by the CPU
- Sub-Main clock (SMCLK), the sub-system clock used by the peripheral modules
- ACLK/n, the buffered output of ACLK, ACLK/2, ACLK/4, or ACLK/8

brownout, supply voltage supervisor

The brownout circuit is implemented to provide the proper internal reset signal to the device during power on and power off. The supply voltage supervisor (SVS) circuitry detects if the supply voltage drops below a user selectable level and supports both supply voltage supervision (the device is automatically reset) and supply voltage monitoring (SVM, the device is not automatically reset).

The CPU begins code execution after the brownout circuit releases the device reset. However, V_{CC} may not have ramped to $V_{CC(min)}$ at that time. The user must ensure the default FLL+ settings are not changed until V_{CC} reaches $V_{CC(min)}$. If desired, the SVS circuit can be used to determine when V_{CC} reaches $V_{CC(min)}$.

digital I/O

There are six 8-bit I/O ports implemented, ports P1 through P6.

- All individual I/O bits are independently programmable.
- Any combination of input, output, and interrupt conditions is possible.
- Edge-selectable interrupt input capability for all the eight bits of ports P1 and P2.
- Read/write access to port-control registers is supported by all instructions.



watchdog timer (WDT+)

The primary function of the WDT+ module is to perform a controlled system restart after a software problem occurs. If the selected time interval expires, a system reset is generated. If the watchdog function is not needed in an application, the module can be configured as an interval timer and can generate interrupts at selected time intervals.

Basic Timer1 and real-time clock (RTC)

The Basic Timer1 has two independent 8-bit timers that can be cascaded to form a 16-bit timer/counter. Both timers can be read and written by software. The Basic Timer1 is extended to provide an integrated real-time clock (RTC). An internal calendar compensates for month with less than 31 days and includes leap year correction.

LCD_A driver with regulated charge pump

The LCD_A driver generates the segment and common signals required to drive an LCD display. The LCD_A controller has dedicated data memory to hold segment drive information. Common and segment signals are generated as defined by the mode. Static, 2-MUX, 3-MUX, and 4-MUX LCDs are supported by this peripheral. The module can provide a LCD voltage independent of the supply voltage via an integrated charge pump. Furthermore, it is possible to control the level of the LCD voltage and, thus, contrast in software.

Timer_A3

Timer_A3 is a 16-bit timer/counter with three capture/compare registers. Timer_A3 can support multiple capture/compares, PWM outputs, and interval timing. Timer_A3 also has extensive interrupt capabilities. Interrupts may be generated from the counter on overflow conditions and from each of the capture/compare registers.

TIMER_A3 SIGNAL CONNECTIONS							
INPUT PIN NUMBER		DEVICE INPUT SIGNAL	MODULE INPUT NAME	MODULE BLOCK	MODULE OUTPUT SIGNAL	OUTPUT PIN NUMBER	
PN	ZQW					PN	ZQW
P1.5 - 51	F11	TACLK	TACLK	Timer	NA		
		ACLK	ACLK				
		SMCLK	SMCLK				
P1.5 - 51	F11	TAINCLK	INCLK				
P1.0 - 58	C11	TA0	CCI0A	CCR0	TA0	P1.0 - 58	C11
P1.1 - 57	C12	TA0	CCI0B			P1.1 - 57	C12
		DV _{SS}	GND				
		DV _{CC}	V _{CC}				
P1.2 - 56	D11	TA1	CCI1A	CCR1	TA1	P1.2 - 56	D11
		CAOUT (internal)	CCI1B				
		DV _{SS}	GND				
		DV _{CC}	V _{CC}				
P2.0 - 4	C2	TA2	CCI2A	CCR2	TA2	P2.0 - 4	C2
		ACLK (internal)	CCI2B				
		DV _{SS}	GND				
		DV _{CC}	V _{CC}				

MSP430F47x MIXED SIGNAL MICROCONTROLLER

SLAS629A - MARCH 2009 - REVISED APRIL 2009

Timer_B3

Timer_B3 is a 16-bit timer/counter with three capture/compare registers. Timer_B3 can support multiple capture/compares, PWM outputs, and interval timing. Timer_B3 also has extensive interrupt capabilities. Interrupts may be generated from the counter on overflow conditions and from each of the capture/compare registers.

TIMER_B3 SIGNAL CONNECTIONS							
INPUT PIN NUMBER		DEVICE INPUT SIGNAL	MODULE INPUT NAME	MODULE BLOCK	MODULE OUTPUT SIGNAL	OUTPUT PIN NUMBER	
PN	ZQW					PN	ZQW
P1.4 - 54	E11	TBCLK	TBCLK	Timer	NA		
		ACLK	ACLK				
		SMCLK	SMCLK				
P1.4 - 54	E11	TBCLK (See Note 1)	INCLK				
P2.1 - 3	C1	TB0	CCI0A	CCR0	TB0	P2.1 - 3	C1
P2.1 - 3	C1	TB0	CCI0B				
		V _{SS}	GND				
		V _{CC}	V _{CC}				
P2.2 - 2	B1	TB1	CCI1A	CCR1	TB1	P2.2 - 2	B1
P2.2 - 2	B1	TB1	CCI1B				
		V _{SS}	GND				
		V _{CC}	V _{CC}				
P2.3 - 77	B4	TB2	CCI2A	CCR2	TB2	P2.3 - 77	B4
		ACLK (internal)	CCI2B				
		V _{SS}	GND				
		V _{CC}	V _{CC}				

NOTE 1: The inversion of TBCLK is done inside the module.

universal serial communication interfaces (USCIs) (USCI_A0, USCI_B0)

The USCI module is used for serial data communication. The USCI module supports synchronous communication protocols such as SPI (3 pin or 4 pin), I2C, and asynchronous communication protocols such as UART, enhanced UART with automatic baudrate detection (LIN), and IrDA.

USCI_A0 provides support for SPI (3 pin or 4 pin), UART, enhanced UART and IrDA.

USCI_B0 provides support for SPI (3 pin or 4 pin) and I2C.

Comparator_A

The primary function of the Comparator_A module is to support precision slope analog-to-digital conversions, battery-voltage supervision, and monitoring of external analog signals.



SD16_A

The SD16_A module supports 16-bit analog-to-digital conversions. The module implements a 16-bit sigma-delta core and a reference generator. In addition to external analog inputs, an internal V_{CC} sense and temperature sensor are also available.

DAC12

The DAC12 module is a 12-bit, R-ladder, voltage-output digital-to-analog converter (DAC). The DAC12 may be used in 8-bit or 12-bit mode.

MSP430F47x MIXED SIGNAL MICROCONTROLLER

SLAS629A - MARCH 2009 - REVISED APRIL 2009

peripheral file map

PERIPHERALS WITH WORD ACCESS			
Watchdog	Watchdog timer control	WDTCTL	0120h
Timer_B3	Capture/compare register 2	TBCCR2	0196h
	Capture/compare register 1	TBCCR1	0194h
	Capture/compare register 0	TBCCR0	0192h
	Timer_B register	TBR	0190h
	Capture/compare control 2	TBCCTL2	0186h
	Capture/compare control 1	TBCCTL1	0184h
	Capture/compare control 0	TBCCTL0	0182h
	Timer_B control	TBCTL	0180h
	Timer_B interrupt vector	TBIV	011Eh
Timer_A3	Capture/compare register 2	TACCR2	0176h
	Capture/compare register 1	TACCR1	0174h
	Capture/compare register 0	TACCR0	0172h
	Timer_A register	TAR	0170h
	Capture/compare control 2	TACCTL2	0166h
	Capture/compare control 1	TACCTL1	0164h
	Capture/compare control 0	TACCTL0	0162h
	Timer_A control	TACTL	0160h
	Timer_A interrupt vector	TAIV	012Eh
Flash	Flash control 4	FCTL4	01BEh
	Flash control 3	FCTL3	012Ch
	Flash control 2	FCTL2	012Ah
	Flash control 1	FCTL1	0128h
DAC12	DAC12_0 data	DAC12_0DAT	01C8h
	DAC12_0 control	DAC12_0CTL	01C0h
SD16_A (see also: Peripherals with Byte Access)	General control	SD16CTL	0100h
	Channel 0 control	SD16CCTL0	0102h
	Channel 0 conversion memory	SD16MEM0	0112h
	Interrupt vector word register	SD16IV	0110h
PERIPHERALS WITH BYTE ACCESS			
SD16_A (see also: Peripherals with Word Access)	Channel 0 input control	SD16INCTL0	0B0h
	Analog enable	SD16AE	0B7h



peripheral file map (continued)

LCD_A	LCD voltage control 1	LCDVCTL1	0AFh
	LCD voltage control 0	LCDVCTL0	0AEh
	LCD voltage port control 1	LCDAPCTL1	0ADh
	LCD voltage port control 0	LCDAPCTL0	0ACh
	LCD memory 20	LCDM20	0A4h
	:	:	:
	LCD memory 16	LCDM16	0A0h
	LCD memory 15	LCDM15	09Fh
	:	:	:
	LCD memory 1	LCDM1	091h
LCD control and mode	LCDACTL	090h	
USCI A0/B0	USCI A0 auto-baudrate control	UCA0ABCTL	0x005D
	USCI A0 transmit buffer	UCA0TXBUF	0x0067
	USCI A0 receive buffer	UCA0RXBUF	0x0066
	USCI A0 status	UCA0STAT	0x0065
	USCI A0 modulation control	UCA0MCTL	0x0064
	USCI A0 baud rate control 1	UCA0BR1	0x0063
	USCI A0 baud rate control 0	UCA0BR0	0x0062
	USCI A0 control 1	UCA0CTL1	0x0061
	USCI A0 control 0	UCA0CTL0	0x0060
	USCI A0 IrDA receive control	UCA0IRRCTL	0x005F
	USCI A0 IrDA transmit control	UCA0IRTCTL	0x005E
	USCI B0 transmit buffer	UCB0TXBUF	0x006F
	USCI B0 receive buffer	UCB0RXBUF	0x006E
	USCI B0 status	UCB0STAT	0x006D
	USCI B0 I2C interrupt enable	UCB0CIE	0x006C
	USCI B0 baud rate control 1	UCB0BR1	0x006B
	USCI B0 baud rate control 0	UCB0BR0	0x006A
	USCI B0 control 1	UCB0CTL1	0x0069
	USCI B0 control 0	UCB0CTL0	0x0068
	USCI B0 I2C slave address	UCB0SA	0x011A
USCI B0 I2C own address	UCB0OA	0x0118	
Comparator_A	Comparator_A port disable	CAPD	05Bh
	Comparator_A control2	CACTL2	05Ah
	Comparator_A control1	CACTL1	059h
Brownout, SVS	SVS control register (reset by brownout signal)	SVSCTL	056h
FLL+ Clock	FLL+ control 1	FLL_CTL1	054h
	FLL+ control 0	FLL_CTL0	053h
	System clock frequency control	SCFQCTL	052h
	System clock frequency integrator	SCFI1	051h
	System clock frequency integrator	SCFI0	050h

MSP430F47x MIXED SIGNAL MICROCONTROLLER

SLAS629A - MARCH 2009 - REVISED APRIL 2009

peripheral file map (continued)

PERIPHERALS WITH BYTE ACCESS			
RTC (Basic Timer1)	Real-time clock year high byte	RTCYEARH	04Fh
	Real-time clock year low byte	RTCYEARL	04Eh
	Real-time clock month	RTCMON	04Dh
	Real-time clock day of month	RTCDAY	04Ch
	Basic Timer1 counter	BTCNT2	047h
	Basic Timer1 counter	BTCNT1	046h
	Real-time counter 4	RTCNT4	045h
	(Real-time clock day of week)	(RTCDOW)	
	Real-time counter 3	RTCNT3	044h
	(Real-time clock hour)	(RTCHOUR)	
	Real-time counter 2	RTCNT2	043h
	(Real-time clock minute)	(RTCMIN)	
	Real-time counter 1	RTCNT1	042h
	(Real-time clock second)	(RTCSEC)	
	Real-time clock control	RTCCTL	041h
Basic Timer1 control	BTCTL	040h	
Port P6	Port P6 selection	P6SEL	037h
	Port P6 direction	P6DIR	036h
	Port P6 output	P6OUT	035h
	Port P6 input	P6IN	034h
Port P5	Port P5 selection	P5SEL	033h
	Port P5 direction	P5DIR	032h
	Port P5 output	P5OUT	031h
	Port P5 input	P5IN	030h
Port P4	Port P4 selection	P4SEL	01Fh
	Port P4 direction	P4DIR	01Eh
	Port P4 output	P4OUT	01Dh
	Port P4 input	P4IN	01Ch
Port P3	Port P3 selection	P3SEL	01Bh
	Port P3 direction	P3DIR	01Ah
	Port P3 output	P3OUT	019h
	Port P3 input	P3IN	018h
Port P2	Port P2 selection	P2SEL	02Eh
	Port P2 interrupt enable	P2IE	02Dh
	Port P2 interrupt-edge select	P2IES	02Ch
	Port P2 interrupt flag	P2IFG	02Bh
	Port P2 direction	P2DIR	02Ah
	Port P2 output	P2OUT	029h
	Port P2 input	P2IN	028h

peripheral file map (continued)

PERIPHERALS WITH BYTE ACCESS (CONTINUED)			
Port P1	Port P1 selection 2 register	P1SEL2	057h
	Port P1 selection	P1SEL	026h
	Port P1 interrupt enable	P1IE	025h
	Port P1 interrupt-edge select	P1IES	024h
	Port P1 interrupt flag	P1IFG	023h
	Port P1 direction	P1DIR	022h
	Port P1 output	P1OUT	021h
	Port P1 input	P1IN	020h
Special functions	SFR interrupt flag 2	IFG2	003h
	SFR interrupt flag 1	IFG1	002h
	SFR interrupt enable 2	IE2	001h
	SFR interrupt enable 1	IE1	000h

MSP430F47x MIXED SIGNAL MICROCONTROLLER

SLAS629A - MARCH 2009 - REVISED APRIL 2009

absolute maximum ratings over operating free-air temperature (see Note 1)

Voltage applied at V_{CC} to V_{SS}	-0.3 V to 4.1 V
Voltage applied to any pin (see Note 2)	-0.3 V to $V_{CC} + 0.3$ V
Diode current at any device terminal	± 2 mA
Storage temperature, T_{stg} : Unprogrammed device (see Note 3)	-55°C to 150°C
Programmed device (see Note 3)	-40°C to 85°C

- NOTES: 1. Stresses beyond those listed under "absolute maximum ratings" may cause permanent damage to the device. These are stress ratings only, and functional operation of the device at these or any other conditions beyond those indicated under "recommended operating conditions" is not implied. Exposure to absolute-maximum-rated conditions for extended periods may affect device reliability.
2. All voltages referenced to V_{SS} . The JTAG fuse-blow voltage, V_{FB} , is allowed to exceed the absolute maximum rating. The voltage is applied to the TDI/TCLK pin when blowing the JTAG fuse.
3. Higher temperature may be applied during board soldering process according to the current JEDEC J-STD-020 specification with peak reflow temperatures not higher than classified on the device label on the shipping boxes or reels.

recommended operating conditions

		MIN	NOM	MAX	UNIT
Supply voltage during program execution, V_{CC} ($AV_{CC} = DV_{CC} = V_{CC}$)		1.8		3.6	V
Supply voltage during flash memory programming, V_{CC} ($AV_{CC} = DV_{CC} = V_{CC}$)		2.2		3.6	V
Supply voltage, V_{SS} ($AV_{SS} = DV_{SS} = V_{SS}$)		0		0	V
Operating free-air temperature range, T_A		-40		85	°C
LFXT1 crystal frequency, $f_{(LFXT1)}$ (see Note 1)	LF selected, XTS_FLL = 0	Watch crystal		32.768	kHz
	XT1 selected, XTS_FLL = 1	Ceramic resonator		0.45	6
	XT1 selected, XTS_FLL = 1	Crystal		1	6
XT2 crystal frequency, $f_{(XT2)}$	Ceramic resonator		0.45	8	MHz
	Crystal		1	8	
System frequency, MCLK, SMCLK, ACLK, $f_{(System)}$	$V_{CC} = 1.8$ V		dc	4.15	MHz
	$V_{CC} = 2.5$ V		dc	8	

NOTE 1: In LF mode, the LFXT1 oscillator requires a watch crystal. In XT1 mode, LFXT1 accepts a ceramic resonator or a crystal.

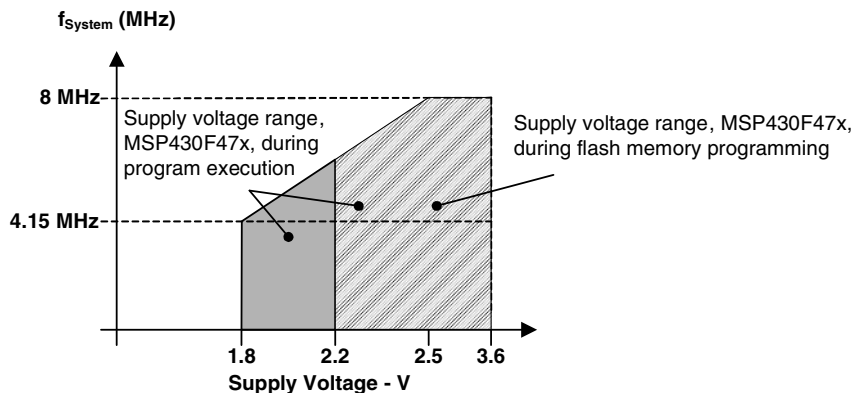


Figure 1. Frequency vs Supply Voltage, Typical Characteristic

electrical characteristics over recommended operating free-air temperature (unless otherwise noted)

supply current into AV_{CC} + DV_{CC} excluding external current

PARAMETER		TEST CONDITIONS	V _{CC}	MIN	TYP	MAX	UNIT	
I _(AM)	Active mode (see Note 1) f _(MCLK) = f _(SMCLK) = 1 MHz, f _(ACLK) = 32,768 Hz XTS=0, SELM=(0,1)	T _A = -40°C to 85°C	2.2 V	262	295		μA	
			3 V	420	460			
I _(LPM0)	Low-power mode (LPM0) (see Note 1)	T _A = -40°C to 85°C	2.2 V	32	62		μA	
			3 V	51	77			
I _(LPM2)	Low-power mode (LPM2), f _(MCLK) = f _(SMCLK) = 0 MHz, f _(ACLK) = 32,768 Hz, SCG0 = 0 (see Note 2)	T _A = -40°C to 85°C	2.2 V	5	9		μA	
			3 V	7	13			
I _(LPM3)	Low-power mode (LPM3) f _(MCLK) = f _(SMCLK) = 0 MHz, f _(ACLK) = 32,768 Hz, SCG0 = 1 Basic Timer1 enabled, ACLK selected LCD_A enabled, LCDCPEN = 0: (static mode, f _{LCD} = f _(ACLK) /32) (see Note 2 and Note 3)	T _A = -40°C	2.2 V	1.0	1.8		μA	
				T _A = 25°C	1.0	1.8		
				T _A = 60°C	1.1	2.0		
				T _A = 85°C	2.3	4.0		
		T _A = -40°C	3 V	1.2	2.0			
				T _A = 25°C	1.2	2.0		
				T _A = 60°C	1.4	2.2		
				T _A = 85°C	2.7	4.5		
I _(LPM3)	Low-power mode (LPM3) f _(MCLK) = f _(SMCLK) = 0 MHz, f _(ACLK) = 32,768 Hz, SCG0 = 1 Basic Timer1 enabled, ACLK selected LCD_A enabled, LCDCPEN = 0: (4-mux mode, f _{LCD} = f _(ACLK) /32) (see Note 2 and Note 3)	T _A = -40°C	2.2 V	1.0	3.0		μA	
				T _A = 25°C	1.1	3.2		
				T _A = 85°C	3.5	6.0		
		T _A = -40°C	3 V	1.8	3.3			
				T _A = 25°C	2.0	4.0		
				T _A = 85°C	4.2	7.5		
I _(LPM4)	Low-power mode (LPM4) f _(MCLK) = 0 MHz, f _(SMCLK) = 0 MHz, f _(ACLK) = 0 Hz, SCG0 = 1 (see Note 2)	T _A = -40°C	2.2 V	0.1	0.5		μA	
				T _A = 25°C	0.1	0.5		
				T _A = 60°C	0.7	1.1		
				T _A = 85°C	1.7	3.0		
		T _A = -40°C	3 V	0.1	0.8			
				T _A = 25°C	0.1	0.8		
				T _A = 60°C	0.8	1.2		
				T _A = 85°C	1.5	3.5		

- NOTES: 1. Timer_A is clocked by f_(DCOCLK) = 1 MHz. All inputs are tied to 0 V or to V_{CC}. Outputs do not source or sink any current.
 2. All inputs are tied to 0 V or to V_{CC}. Outputs do not source or sink any current.
 3. The LPM3 currents are characterized with a Micro Crystal CC4V-T1A (9pF) crystal and OSCCAPx=01h.

Current consumption of active mode versus system frequency

$$I_{(AM)} = I_{(AM)} [1 \text{ MHz}] \times f_{(\text{System})} [\text{MHz}]$$

Current consumption of active mode versus supply voltage

$$I_{(AM)} = I_{(AM)} [3 \text{ V}] + 200 \mu\text{A/V} \times (V_{CC} - 2.2 \text{ V})$$

MSP430F47x MIXED SIGNAL MICROCONTROLLER

SLAS629A - MARCH 2009 - REVISED APRIL 2009

typical characteristics - LPM4 current

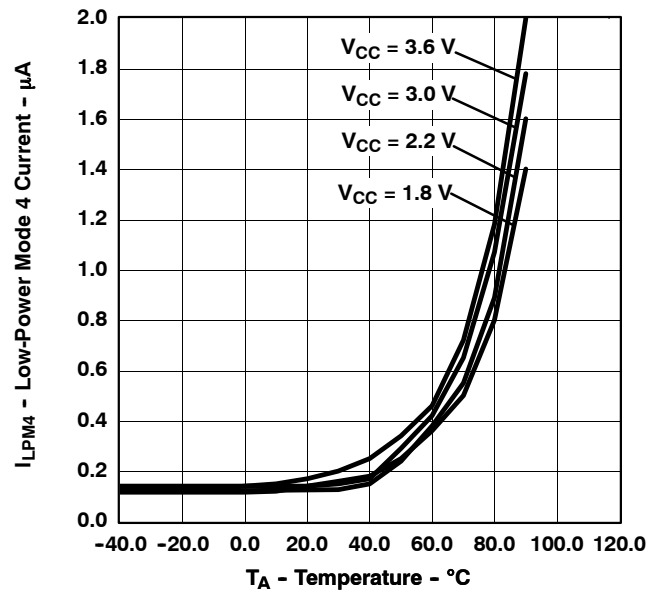


Figure 2. I_{LPM4} - LPM4 Current vs Temperature

electrical characteristics over recommended operating free-air temperature (unless otherwise noted) (continued)

Schmitt-trigger inputs - Ports P1, P2, P3, P4, P5, and P6, $\overline{\text{RST}}/\text{NMI}$, JTAG (TCK, TMS, TDI/TCLK, TDO/TDI)

PARAMETER		V _{CC}	MIN	MAX	UNIT
V _{IT+}	Positive-going input threshold voltage	2.2 V	1.1	1.55	V
		3 V	1.5	1.98	
V _{IT-}	Negative-going input threshold voltage	2.2 V	0.4	0.9	V
		3 V	0.9	1.3	
V _{hys}	Input voltage hysteresis (V _{IT+} - V _{IT-})	2.2 V	0.3	1.1	V
		3 V	0.5	1	

inputs P_{x.y}, TAx

PARAMETER		TEST CONDITIONS	V _{CC}	MIN	MAX	UNIT
t _(int)	External interrupt timing	Port P1, P2: P1.x to P2.x, external trigger signal for the interrupt flag (see Note 1)	2.2 V	62		ns
			3 V	50		
t _(cap)	Timer_A capture timing	TA0, TA1, TA2	2.2 V	62		ns
			3 V	50		
f _(TAext)	Timer_A clock frequency externally applied to pin	TACLK, INCLK: t _(H) = t _(L)	2.2 V	8		MHz
			3 V	10		
f _(TAint)	Timer_A clock frequency	SMCLK or ACLK signal selected	2.2 V	8		MHz
			3 V	10		

NOTES: 1. The external signal sets the interrupt flag every time the minimum t_(int) parameters are met. It may be set even with trigger signals shorter than t_(int).

leakage current - Ports P1, P2, P3, P4, P5, and P6 (see Note 1)

PARAMETER		TEST CONDITIONS		MIN	MAX	UNIT
I _{lkg(Px.y)}	Leakage current	Port Px	V _(Px.y) (see Note 2)	V _{CC} = 2.2 V/3 V		±50 nA

NOTES: 1. The leakage current is measured with V_{SS} or V_{CC} applied to the corresponding pin(s), unless otherwise noted.
2. The port pin must be selected as input.

MSP430F47x MIXED SIGNAL MICROCONTROLLER

SLAS629A - MARCH 2009 - REVISED APRIL 2009

electrical characteristics over recommended operating free-air temperature (unless otherwise noted) (continued)

outputs - Ports P1, P2, P3, P4, P5, and P6

PARAMETER		TEST CONDITIONS			MIN	MAX	UNIT
V _{OH}	High-level output voltage	I _{OH(max)} = -1.5 mA,	V _{CC} = 2.2 V,	See Note 1	V _{CC} -0.25	V _{CC}	V
		I _{OH(max)} = -6 mA,	V _{CC} = 2.2 V,	See Note 2	V _{CC} -0.6	V _{CC}	
		I _{OH(max)} = -1.5 mA,	V _{CC} = 3 V,	See Note 1	V _{CC} -0.25	V _{CC}	
		I _{OH(max)} = -6 mA,	V _{CC} = 3 V,	See Note 2	V _{CC} -0.6	V _{CC}	
V _{OL}	Low-level output voltage	I _{OL(max)} = 1.5 mA,	V _{CC} = 2.2 V,	See Note 1	V _{SS}	V _{SS} +0.25	V
		I _{OL(max)} = 6 mA,	V _{CC} = 2.2 V,	See Note 2	V _{SS}	V _{SS} +0.6	
		I _{OL(max)} = 1.5 mA,	V _{CC} = 3 V,	See Note 1	V _{SS}	V _{SS} +0.25	
		I _{OL(max)} = 6 mA,	V _{CC} = 3 V,	See Note 2	V _{SS}	V _{SS} +0.6	

- NOTES: 1. The maximum total current, I_{OH(max)} and I_{OL(max)}, for all outputs combined, should not exceed ±12 mA to satisfy the maximum specified voltage drop.
 2. The maximum total current, I_{OH(max)} and I_{OL(max)}, for all outputs combined, should not exceed ±48 mA to satisfy the maximum specified voltage drop.

output frequency

PARAMETER		TEST CONDITIONS		MIN	TYP	MAX	UNIT
f _(Px.y)	(x = 1, 2, 3, 4, 5, 6, 0 ≤ y ≤ 7)	C _L = 20 pF, I _L = ±1.5 mA	V _{CC} = 2.2 V / 3 V	DC		f _{System}	MHz
f _(MCLK)	P1.1/TA0/MCLK	C _L = 20 pF				f _{System}	MHz
t _(Xdc)	Duty cycle of output frequency	P1.1/TA0/MCLK, C _L = 20 pF, V _{CC} = 2.2 V / 3 V	f _(MCLK) = f _(XT1)	40%		60%	
			f _(MCLK) = f _(DCOCLK)	50% - 15 ns	50%	50% + 15 ns	



electrical characteristics over recommended operating free-air temperature (unless otherwise noted) (continued)

outputs - Ports P1, P2, P3, P4, P5, and P6 (continued)

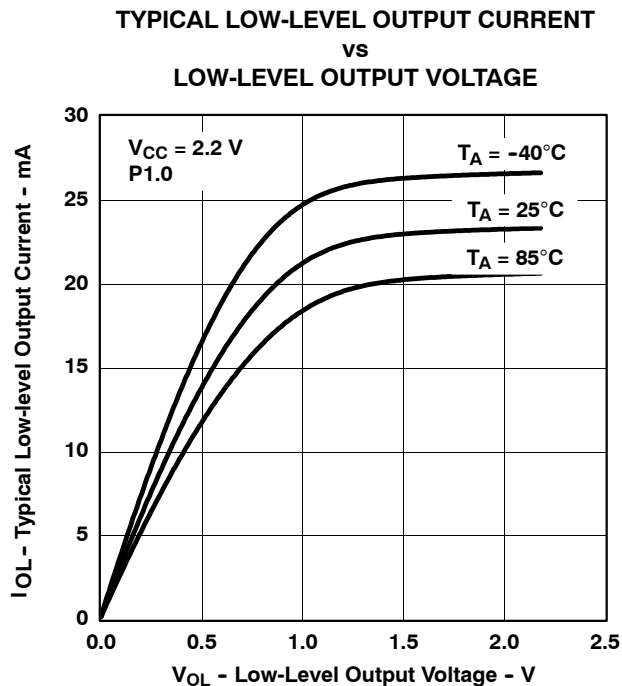


Figure 3

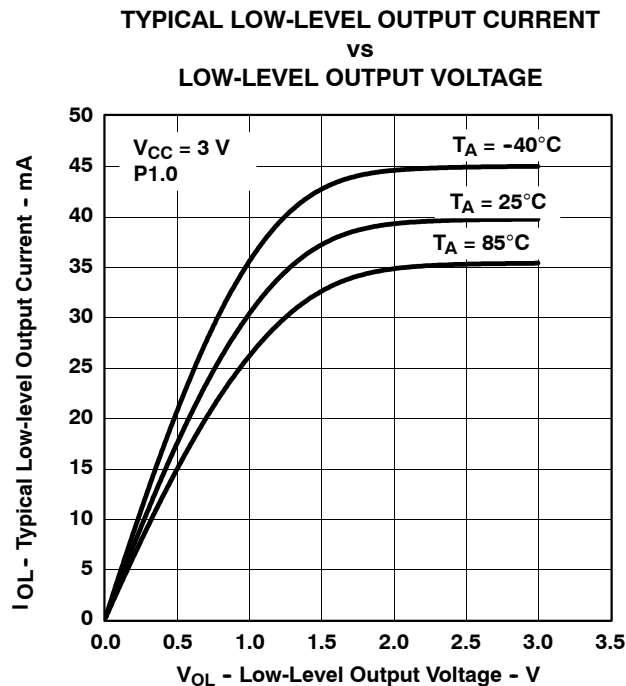


Figure 4

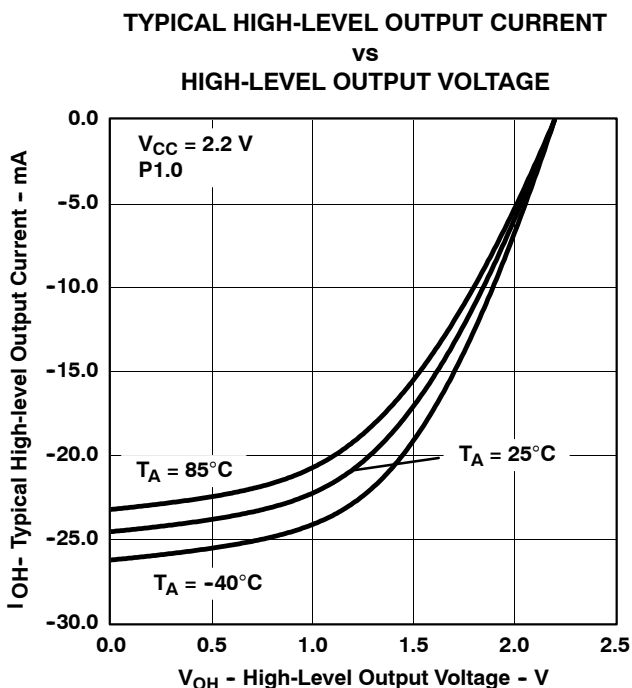


Figure 5

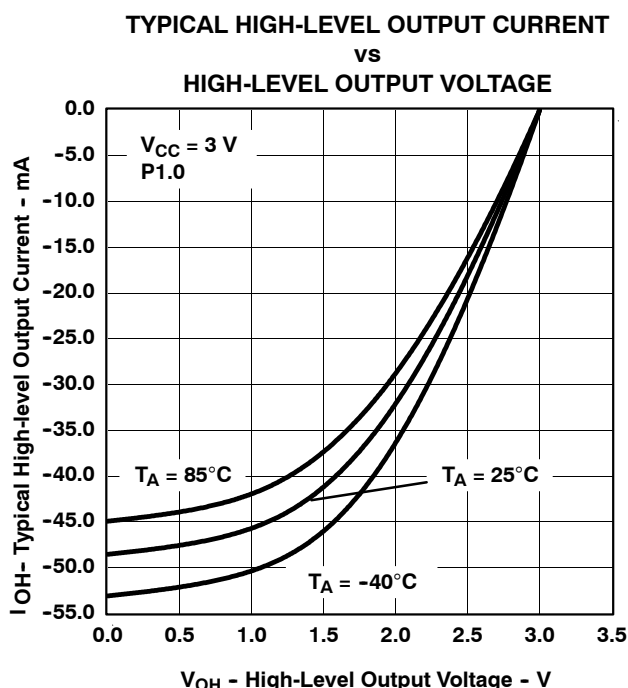


Figure 6

MSP430F47x MIXED SIGNAL MICROCONTROLLER

SLAS629A - MARCH 2009 - REVISED APRIL 2009

electrical characteristics over recommended operating free-air temperature (unless otherwise noted) (continued)

wake-up LPM3

PARAMETER		TEST CONDITIONS		MIN	TYP	MAX	UNIT
$t_{d(LPM3)}$	Delay time	$f = 1 \text{ MHz}$	$V_{CC} = 2.2 \text{ V}/3 \text{ V}$			6	μs
		$f = 2 \text{ MHz}$				6	
		$f = 3 \text{ MHz}$				6	

POR/brownout reset (BOR) (see Note 1)

PARAMETER		TEST CONDITIONS		MIN	TYP	MAX	UNIT
$t_{d(BOR)}$	Brownout (see Note 2)					2000	μs
$V_{CC(start)}$		$dV_{CC}/dt \leq 3 \text{ V/s}$ (see Figure 7)		$0.7 \times V_{(B_IT-)}$			V
$V_{(B_IT-)}$		$dV_{CC}/dt \leq 3 \text{ V/s}$ (see Figure 7 through Figure 9)				1.71	V
$V_{hys(B_IT-)}$		$dV_{CC}/dt \leq 3 \text{ V/s}$ (see Figure 7)					mV
$t_{(reset)}$		Pulse length needed at $\overline{\text{RST}}/\text{NMI}$ pin to accepted reset internally, $V_{CC} = 2.2 \text{ V}/3 \text{ V}$	2				μs

- NOTES: 1. The current consumption of the brownout module is already included in the I_{CC} current consumption data. The voltage level $V_{(B_IT-)} + V_{hys(B_IT-)}$ is $\leq 1.8\text{V}$.
2. During power up, the CPU begins code execution following a period of $t_{d(BOR)}$ after $V_{CC} = V_{(B_IT-)} + V_{hys(B_IT-)}$. The default FLL+ settings must not be changed until $V_{CC} \geq V_{CC(min)}$, where $V_{CC(min)}$ is the minimum supply voltage for the desired operating frequency. See the *MSP430x4xx Family User's Guide* (SLAU056) for more information on the brownout.

typical characteristics

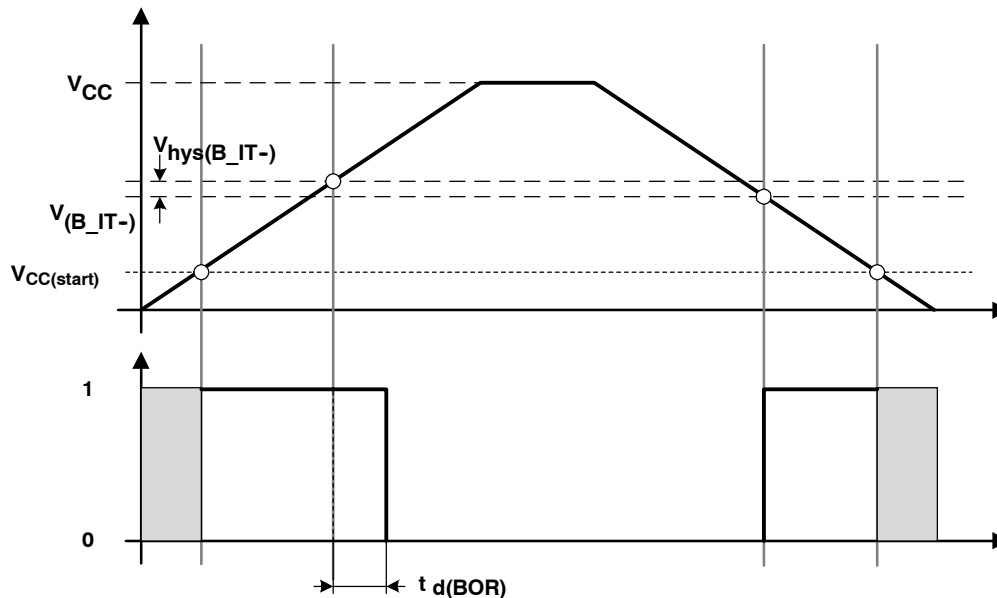


Figure 7. POR/Brownout Reset (BOR) vs Supply Voltage

electrical characteristics over recommended operating free-air temperature (unless otherwise noted) (continued)

typical characteristics (continued)

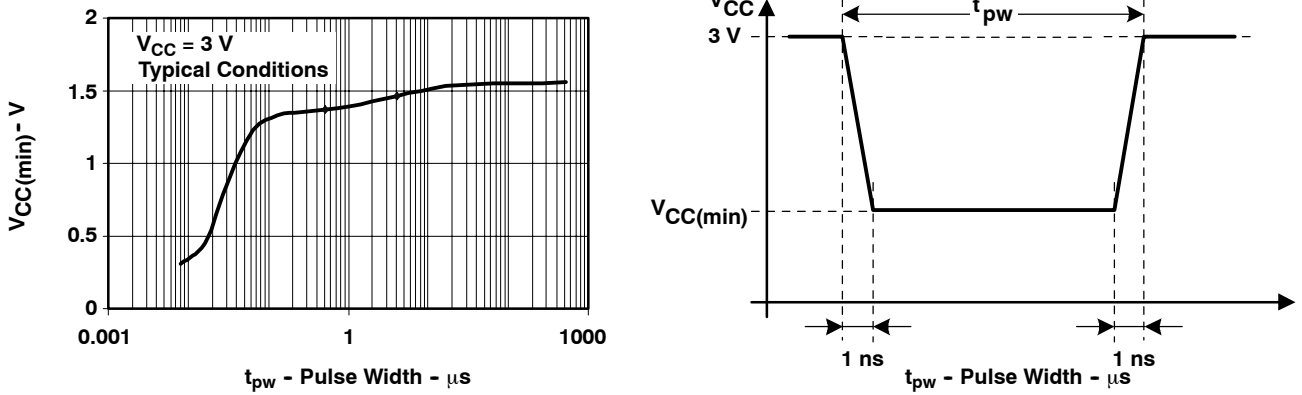


Figure 8. $V_{CC(min)}$ Level With a Square Voltage Drop to Generate a POR/Brownout Signal

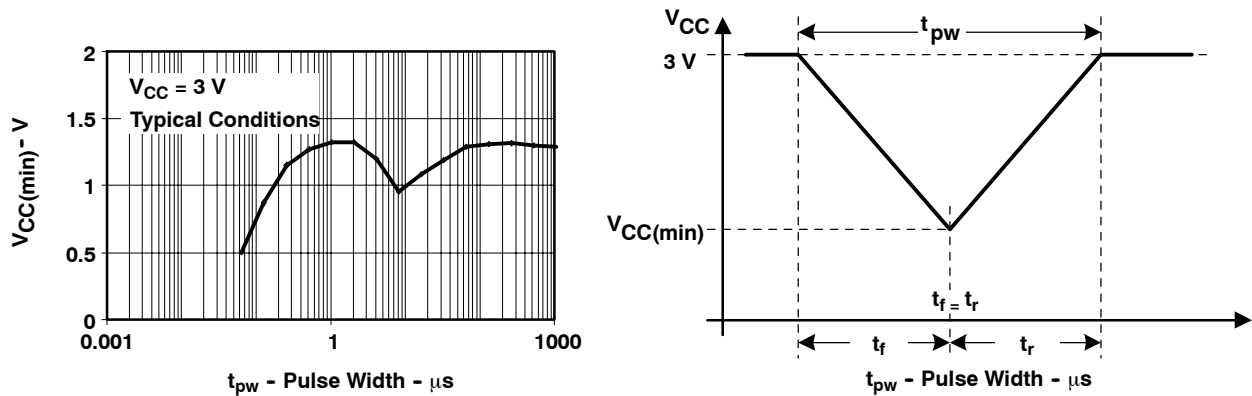


Figure 9. $V_{CC(min)}$ Level With a Triangle Voltage Drop to Generate a POR/Brownout Signal

MSP430F47x MIXED SIGNAL MICROCONTROLLER

SLAS629A - MARCH 2009 - REVISED APRIL 2009

electrical characteristics over recommended operating free-air temperature (unless otherwise noted)

SVS (supply voltage supervisor/monitor)

PARAMETER	TEST CONDITIONS	MIN	TYP	MAX	UNIT	
$t_{(SVSR)}$	$dV_{CC}/dt > 30 \text{ V/ms}$ (see Figure 10)	5		150	μs	
	$dV_{CC}/dt \leq 30 \text{ V/ms}$			2000	μs	
$t_{d(SVSON)}$	SVS ON, switch from VLD = 0 to VLD \neq 0, $V_{CC} = 3 \text{ V}$	20		150	μs	
t_{settle}	VLD \neq 0 [‡]			12	μs	
$V_{(SVSstart)}$	VLD \neq 0, $V_{CC}/dt \leq 3 \text{ V/s}$ (see Figure 10)		1.55	1.7	V	
$V_{\text{hys}(SVS_IT-)}$	$V_{CC}/dt \leq 3 \text{ V/s}$ (see Figure 10)	VLD = 1	70	120	210	mV
		VLD = 2 to 14	$V_{(SVS_IT-)} \times 0.001$		$V_{(SVS_IT-)} \times 0.016$	
	$V_{CC}/dt \leq 3 \text{ V/s}$ (see Figure 10), External voltage applied on A7	VLD = 15	4.4		20	mV
$V_{(SVS_IT-)}$	$V_{CC}/dt \leq 3 \text{ V/s}$ (see Figure 10 and Figure 11)	VLD = 1	1.8	1.9	2.05	V
		VLD = 2	1.94	2.1	2.25	
		VLD = 3	2.05	2.2	2.37	
		VLD = 4	2.14	2.3	2.48	
		VLD = 5	2.24	2.4	2.6	
		VLD = 6	2.33	2.5	2.71	
		VLD = 7	2.46	2.65	2.86	
		VLD = 8	2.58	2.8	3	
		VLD = 9	2.69	2.9	3.13	
		VLD = 10	2.83	3.05	3.29	
		VLD = 11	2.94	3.2	3.42	
		VLD = 12	3.11	3.35	3.61 [†]	
		VLD = 13	3.24	3.5	3.76 [†]	
		VLD = 14	3.43	3.7 [†]	3.99 [†]	
		$V_{CC}/dt \leq 3 \text{ V/s}$ (see Figure 10 and Figure 11), External voltage applied on A7	VLD = 15	1.1	1.2	1.3
$I_{CC(SVS)}$ (see Note 1)	VLD \neq 0, $V_{CC} = 2.2 \text{ V}/3 \text{ V}$		10	15	μA	

[†] The recommended operating voltage range is limited to 3.6 V.

[‡] t_{settle} is the settling time that the comparator o/p needs to have a stable level after VLD is switched VLD \neq 0 to a different VLD value somewhere between 2 and 15. The overdrive is assumed to be $> 50 \text{ mV}$.

NOTE 1: The current consumption of the SVS module is not included in the I_{CC} current consumption data.

typical characteristics

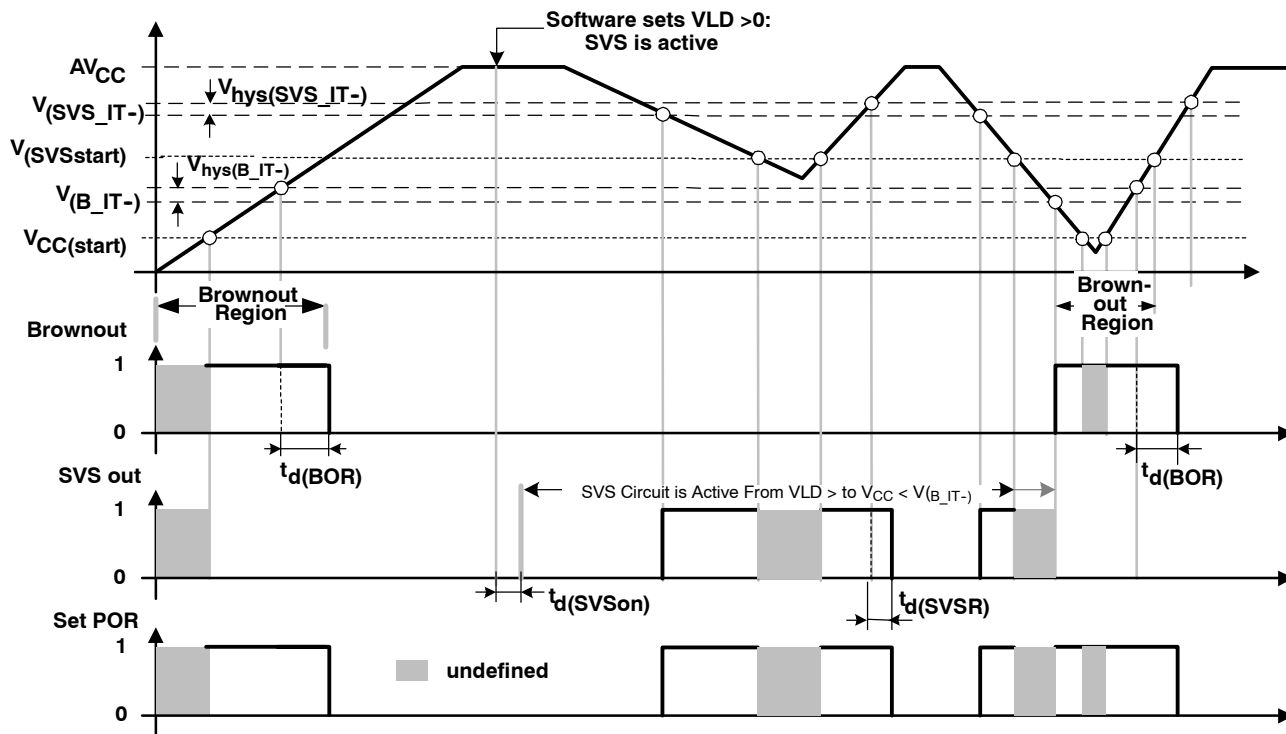


Figure 10. SVS Reset (SVSR) vs Supply Voltage

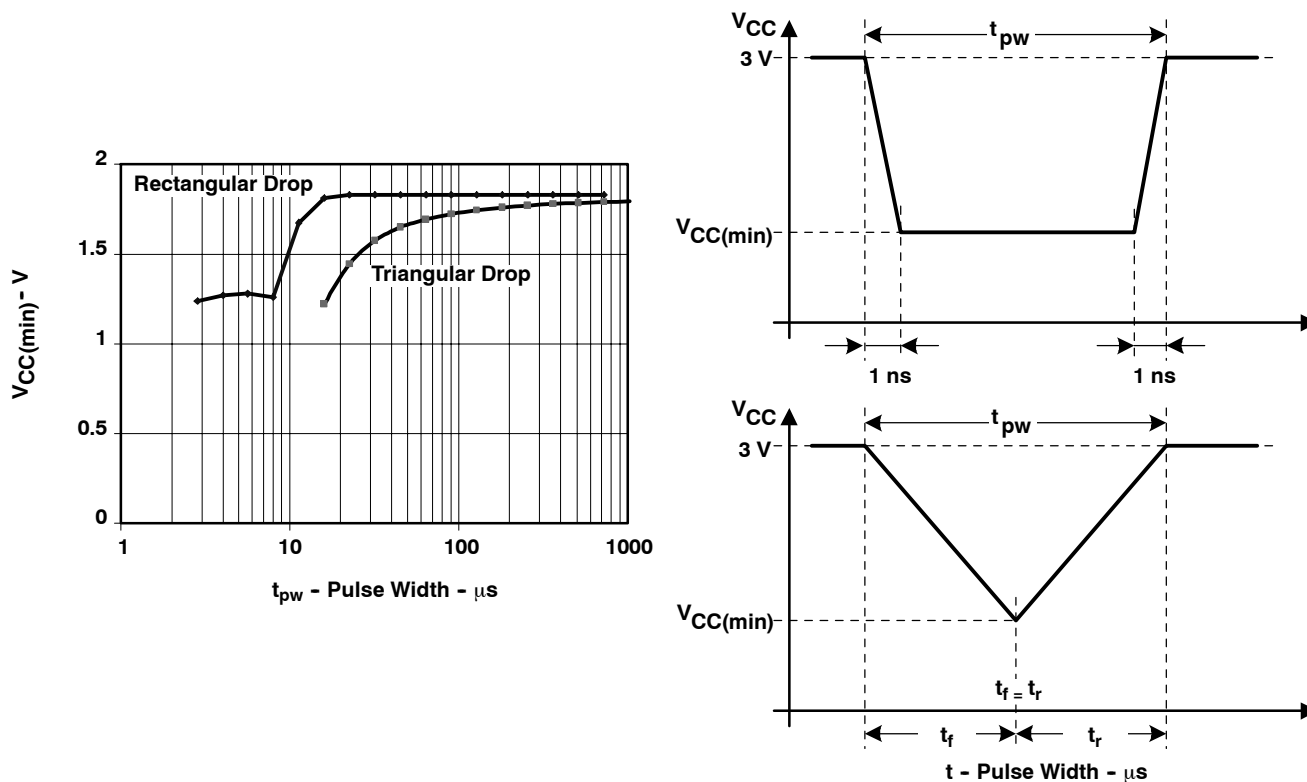


Figure 11. $V_{CC(min)}$: Square Voltage Drop and Triangle Voltage Drop to Generate an SVS Signal ($V_{LD} = 1$)

MSP430F47x MIXED SIGNAL MICROCONTROLLER

SLAS629A - MARCH 2009 - REVISED APRIL 2009

electrical characteristics over recommended operating free-air temperature (unless otherwise noted)

DCO

PARAMETER	TEST CONDITIONS	V _{CC}	MIN	TYP	MAX	UNIT
f _(DCOCLK)	N _(DCO) = 01E0h, FN ₈ = FN ₄ = FN ₃ = FN ₂ = 0, D = 2, DCOPLUS = 0	2.2 V/3 V		1		MHz
f _(DCO2)	FN ₈ = FN ₄ = FN ₃ = FN ₂ = 0, DCOPLUS = 1	2.2 V	0.3	0.65	1.25	MHz
		3 V	0.3	0.7	1.3	
f _(DCO27)	FN ₈ = FN ₄ = FN ₃ = FN ₂ = 0, DCOPLUS = 1 (see Note 1)	2.2 V	2.5	5.6	10.5	MHz
		3 V	2.7	6.1	11.3	
f _(DCO2)	FN ₈ = FN ₄ = FN ₃ = 0, FN ₂ = 1, DCOPLUS = 1	2.2 V	0.7	1.3	2.3	MHz
		3 V	0.8	1.5	2.5	
f _(DCO27)	FN ₈ = FN ₄ = FN ₃ = 0, FN ₂ = 1, DCOPLUS = 1 (see Note 1)	2.2 V	5.7	10.8	18	MHz
		3 V	6.5	12.1	20	
f _(DCO2)	FN ₈ = FN ₄ = 0, FN ₃ = 1, FN ₂ = x, DCOPLUS = 1	2.2 V	1.2	2	3	MHz
		3 V	1.3	2.2	3.5	
f _(DCO27)	FN ₈ = FN ₄ = 0, FN ₃ = 1, FN ₂ = x, DCOPLUS = 1 (see Note 1)	2.2 V	9	15.5	25	MHz
		3 V	10.3	17.9	28.5	
f _(DCO2)	FN ₈ = 0, FN ₄ = 1, FN ₃ = FN ₂ = x, DCOPLUS = 1	2.2 V	1.8	2.8	4.2	MHz
		3 V	2.1	3.4	5.2	
f _(DCO27)	FN ₈ = 0, FN ₄ = 1, FN ₃ = FN ₂ = x, DCOPLUS = 1 (see Note 1)	2.2 V	13.5	21.5	33	MHz
		3 V	16	26.6	41	
f _(DCO2)	FN ₈ = 1, FN ₄ = FN ₃ = FN ₂ = x, DCOPLUS = 1	2.2 V	2.8	4.2	6.2	MHz
		3 V	4.2	6.3	9.2	
f _(DCO27)	FN ₈ = 1, FN ₄ = FN ₃ = FN ₂ = x, DCOPLUS = 1 (see Note 1)	2.2 V	21	32	46	MHz
		3 V	30	46	70	
S _n	Step size between adjacent DCO taps: S _n = f _{DCO(Tap n+1)} / f _{DCO(Tap n)} (see Figure 13 for taps 21 to 27)	1 < TAP ≤ 20	1.06		1.11	
		TAP = 27	1.07		1.17	
D _t	Temperature drift, N _(DCO) = 01E0h, FN ₈ = FN ₄ = FN ₃ = FN ₂ = 0, D = 2, DCOPLUS = 0 (see Note 2)	2.2 V	-0.2	-0.3	-0.4	%/°C
		3 V	-0.2	-0.3	-0.4	
D _V	Drift with V _{CC} variation, N _(DCO) = 01E0h, FN ₈ = FN ₄ = FN ₃ = FN ₂ = 0, D = 2, DCOPLUS = 0 (see Note 2)		0	5	15	%/V

NOTES: 1. Do not exceed the maximum system frequency.
2. This parameter is not production tested.

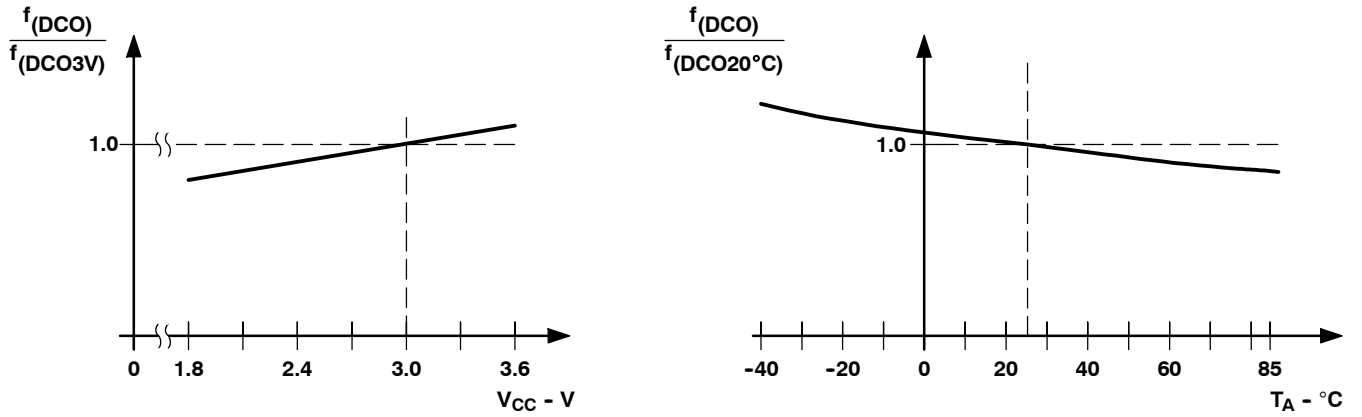


Figure 12. DCO Frequency vs Supply Voltage V_{CC} and vs Ambient Temperature

MSP430F47x MIXED SIGNAL MICROCONTROLLER

SLAS629A - MARCH 2009 - REVISED APRIL 2009

electrical characteristics over recommended operating free-air temperature (unless otherwise noted) (continued)

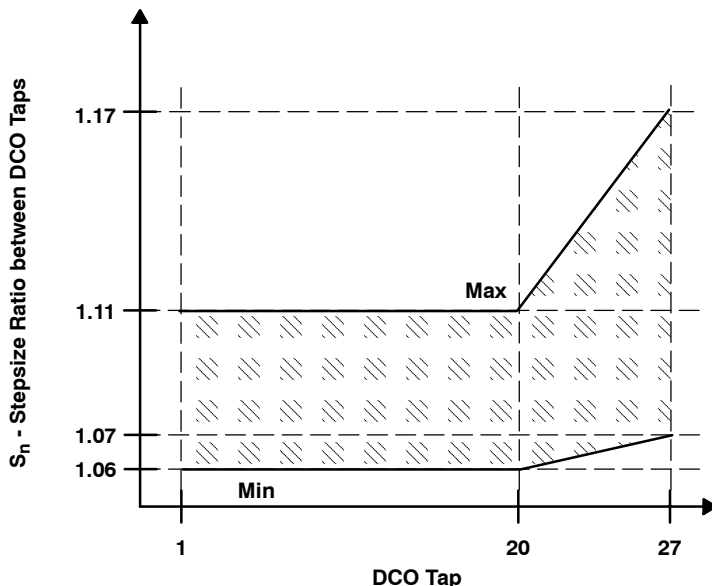


Figure 13. DCO Tap Step Size

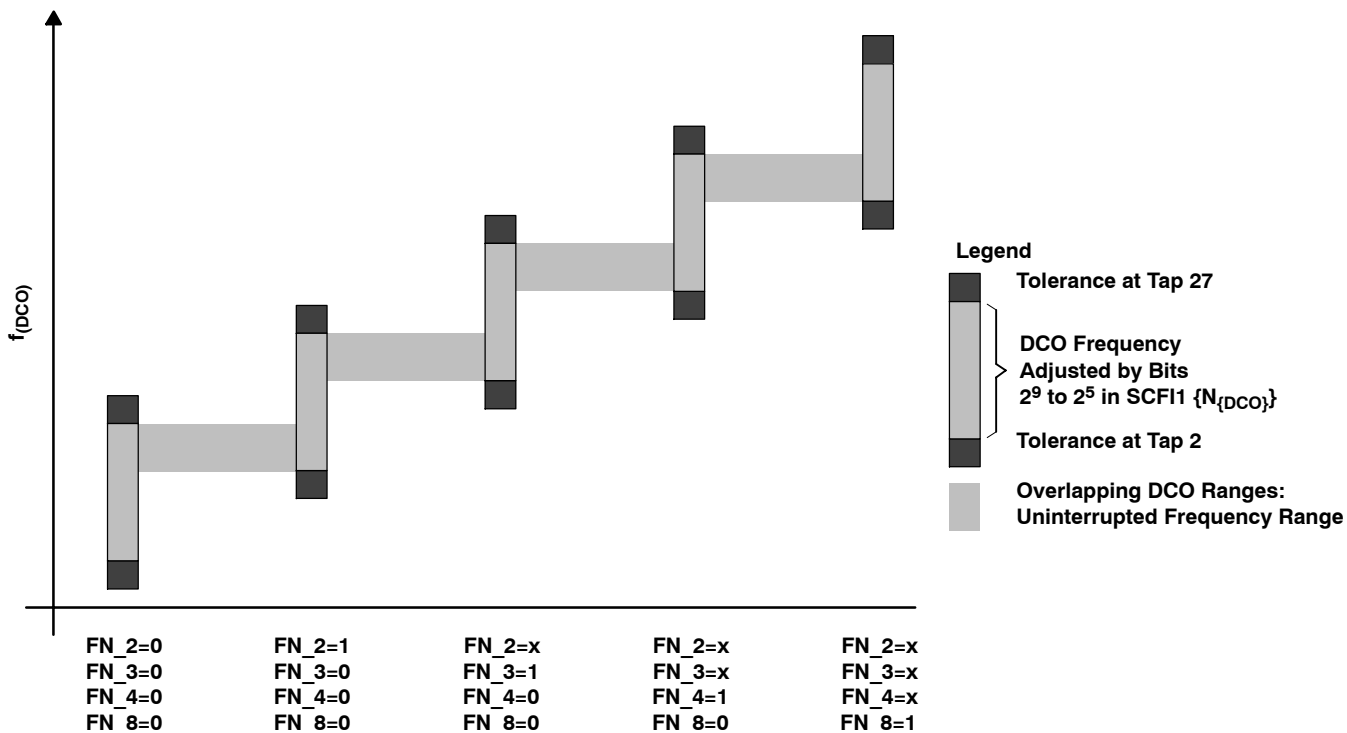


Figure 14. Five Overlapping DCO Ranges Controlled by FN_x Bits

electrical characteristics over recommended operating free-air temperature (unless otherwise noted)

crystal oscillator, LFXT1, low frequency modes (see Note 4)

PARAMETER		TEST CONDITIONS	V _{CC}	MIN	TYP	MAX	UNIT
f _{LFXT1,LF}	LFXT1 oscillator crystal frequency, LF mode 0, 1	XTS = 0, LFXT1Sx = 0 or 1	1.8 V to 3.6 V	32,768			Hz
OA _{LF}	Oscillation allowance for LF crystals	XTS = 0, LFXT1Sx = 0, f _{LFXT1,LF} = 32,768 kHz, C _{L,eff} = 6 pF		500			kΩ
		XTS = 0, LFXT1Sx = 0, f _{LFXT1,LF} = 32,768 kHz, C _{L,eff} = 12 pF		200			
C _{L,eff}	Integrated effective load capacitance, LF mode (see Note)	XTS = 0, XCAPx = 0		1			pF
		XTS = 0, XCAPx = 1		5.5			
		XTS = 0, XCAPx = 2		8.5			
		XTS = 0, XCAPx = 3		11			
Duty cycle	LF mode	XTS = 0, Measured at P2.0/ACLK, f _{LFXT1,LF} = 32,768Hz	2.2 V/3 V	30	50	70	%
f _{Fault,LF}	Oscillator fault frequency, LF mode (see Note 3)	XTS = 0, XCAPx = 0. LFXT1Sx = 3 (see Note 2)	2.2 V/3 V	10	10,000		Hz

- NOTES:
- Includes parasitic bond and package capacitance (approximately 2 pF per pin).
Since the PCB adds additional capacitance it is recommended to verify the correct load by measuring the ACLK frequency. For a correct setup the effective load capacitance should always match the specification of the used crystal.
 - Measured with logic level input frequency but also applies to operation with crystals.
 - Frequencies below the MIN specification set the fault flag, frequencies above the MAX specification do not set the fault flag, and frequencies in between might set the flag.
 - To improve EMI on the LFXT1 oscillator the following guidelines should be observed.
 - Keep the trace between the device and the crystal as short as possible.
 - Design a good ground plane around the oscillator pins.
 - Prevent crosstalk from other clock or data lines into oscillator pins XIN and XOUT.
 - Avoid running PCB traces underneath or adjacent to the XIN and XOUT pins.
 - Use assembly materials and praxis to avoid any parasitic load on the oscillator XIN and XOUT pins.
 - If conformal coating is used, ensure that it does not induce capacitive/resistive leakage between the oscillator pins.
 - Do not route the XOUT line to the JTAG header to support the serial programming adapter as shown in other documentation. This signal is no longer required for the serial programming adapter.

MSP430F47x MIXED SIGNAL MICROCONTROLLER

SLAS629A - MARCH 2009 - REVISED APRIL 2009

electrical characteristics over recommended operating free-air temperature (unless otherwise noted)

crystal oscillator, LFXT1, high frequency modes

PARAMETER		TEST CONDITIONS	V _{CC}	MIN	TYP	MAX	UNIT
f _{LFXT1}	LFXT1 oscillator crystal frequency	Ceramic resonator	1.8 V to 3.6 V	0.45		8	MHz
f _{LFXT1}	LFXT1 oscillator crystal frequency	Crystal resonator	1.8 V to 3.6 V	1		8	MHz
C _{L,eff}	Integrated effective load capacitance, HF mode (see Note 1)	See Note 2			1		pF
Duty cycle		Measured at P1.5/ACLK,	2.2 V/3 V	40	50	60	%

- NOTES: 1. Includes parasitic bond and package capacitance (approximately 2 pF per pin).
 Since the PCB adds additional capacitance it is recommended to verify the correct load by measuring the ACLK frequency. For a correct setup the effective load capacitance should always match the specification of the used crystal.
2. Requires external capacitors at both terminals. Values are specified by crystal manufacturers.

crystal oscillator, XT2, high frequency modes

PARAMETER		TEST CONDITIONS	V _{CC}	MIN	TYP	MAX	UNIT
f _{XT2}	XT2 oscillator crystal frequency	Ceramic resonator	1.8 V to 3.6 V	0.45		8	MHz
f _{XT2}	XT2 oscillator crystal frequency	Crystal resonator	1.8 V to 3.6 V	1		8	MHz
C _{L,eff}	Integrated effective load capacitance, HF mode (see Note 1)	(see Note 2)			1		pF
Duty cycle		Measured at P1.4/SMCLK	2.2 V/3 V	40	50	60	%

- NOTES: 1. Includes parasitic bond and package capacitance (approximately 2 pF per pin).
 Since the PCB adds additional capacitance it is recommended to verify the correct load by measuring the ACLK frequency. For a correct setup the effective load capacitance should always match the specification of the used crystal.
2. Requires external capacitors at both terminals. Values are specified by crystal manufacturers.

electrical characteristics over recommended operating free-air temperature (unless otherwise noted) (continued)

RAM

PARAMETER	TEST CONDITIONS	MIN	MAX	UNIT
V _{RAMh}	CPU halted (see Note 1)	1.6		V

NOTE 1: This parameter defines the minimum supply voltage when the data in program memory RAM remain unchanged. No program execution should take place during this supply voltage condition.

LCD_A

PARAMETER	TEST CONDITIONS	V _{CC}	MIN	TYP	MAX	UNIT
V _{CC(LCD)} Supply voltage range	Charge pump enabled (LCDCPEN = 1, VLCDx > 0000)		2.2		3.6	V
C _{LCD} Capacitor on LCDCAP (see Note 1)	Charge pump enabled (LCDCPEN = 1, VLCDx > 0000)		4.7			μF
I _{CC(LCD)} Average supply current (see Note 2)	V _{LCD(typ)} = 3 V, LCDCPEN = 1, VLCDx = 1000, All segments on, f _{LCD} = f _{ACLK} /32, No LCD connected (see Note 3) T _A = 25°C	2.2 V		3.8		μA
f _{LCD} LCD frequency					1.1	kHz
V _{LCD} LCD voltage	VLCDx = 0000			V _{CC}		V
V _{LCD} LCD voltage	VLCDx = 0001			2.60		V
V _{LCD} LCD voltage	VLCDx = 0010			2.66		V
V _{LCD} LCD voltage	VLCDx = 0011			2.72		V
V _{LCD} LCD voltage	VLCDx = 0100			2.78		V
V _{LCD} LCD voltage	VLCDx = 0101			2.84		V
V _{LCD} LCD voltage	VLCDx = 0110			2.90		V
V _{LCD} LCD voltage	VLCDx = 0111			2.96		V
V _{LCD} LCD voltage	VLCDx = 1000			3.02		V
V _{LCD} LCD voltage	VLCDx = 1001			3.08		V
V _{LCD} LCD voltage	VLCDx = 1010			3.14		V
V _{LCD} LCD voltage	VLCDx = 1011			3.20		V
V _{LCD} LCD voltage	VLCDx = 1100			3.26		V
V _{LCD} LCD voltage	VLCDx = 1101			3.32		V
V _{LCD} LCD voltage	VLCDx = 1110			3.38		V
V _{LCD} LCD voltage	VLCDx = 1111			3.44	3.60	V
R _{LCD} LCD Driver Output impedance	V _{LCD} = 3 V, LCDCPEN = 1, VLCDx = 1000, I _{LOAD} = ±10μA	2.2 V			10	kΩ

- NOTES: 1. Enabling the internal charge pump with an external capacitor smaller than the minimum specified might damage the device.
 2. Refer to the supply current specifications I_(LPM3) for additional current specifications with the LCD_A module active.
 3. Connecting an actual display will increase the current consumption depending on the size of the LCD.

MSP430F47x MIXED SIGNAL MICROCONTROLLER

SLAS629A - MARCH 2009 - REVISED APRIL 2009

electrical characteristics over recommended operating free-air temperature (unless otherwise noted) (continued)

Comparator_A (see Note 1)

PARAMETER	TEST CONDITIONS	V _{CC}	MIN	TYP	MAX	UNIT
I _(CC)	CAON = 1, CARSEL = 0, CAREF = 0	2.2 V		25	40	μA
		3 V		45	60	
I _(RefLadder/RefDiode)	CAON = 1, CARSEL = 0, CAREF = 1/2/3, No load at P1.6/CA0 and P1.7/CA1	2.2 V		30	50	μA
		3 V		45	80	
V _(Ref025)	$\frac{\text{Voltage @ } 0.25 V_{CC} \text{ node}}{V_{CC}}$ PCA0 = 1, CARSEL = 1, CAREF = 1, No load at P1.6/CA0 and P1.7/CA1	2.2 V / 3 V	0.23	0.24	0.25	
V _(Ref050)	$\frac{\text{Voltage @ } 0.5 V_{CC} \text{ node}}{V_{CC}}$ PCA0 = 1, CARSEL = 1, CAREF = 2, No load at P1.6/CA0 and P1.7/CA1	2.2 V / 3 V	0.47	0.48	0.5	
V _(RefVT)	See Figure 15 and Figure 16 PCA0 = 1, CARSEL = 1, CAREF = 3, No load at P1.6/CA0 and P1.7/CA1, T _A = 85°C	2.2 V	390	480	540	mV
		3 V	400	490	550	
V _{IC}	Common-mode input voltage range CAON = 1	2.2 V / 3 V	0		V _{CC} -1	V
V _p -V _s	Offset voltage See Note 2	2.2 V / 3 V	-30		30	mV
V _{hys}	Input hysteresis CAON = 1	2.2 V / 3 V	0	0.7	1.4	mV
t _(response LH and HL) , see Note 3	T _A = 25°C, Overdrive 10 mV, without filter: CAF = 0	2.2 V	80	165	300	ns
		3 V	70	120	240	
	T _A = 25°C Overdrive 10 mV, with filter: CAF = 1	2.2 V	1.4	1.9	2.8	μs
		3 V	0.9	1.5	2.2	

- NOTES: 1. The leakage current for the Comparator_A terminals is identical to I_{lkg(Px.x)} specification.
 2. The input offset voltage can be cancelled by using the CAEX bit to invert the Comparator_A inputs on successive measurements. The two successive measurements are then summed together.
 3. The response time is measured at P1.6/CA0 with an input voltage step and the Comparator_A already enabled (CAON = 1). If CAON is set at the same time, a settling time of up to 300 ns is added to the response time.

electrical characteristics over recommended operating free-air temperature (unless otherwise noted) (continued)

typical characteristics

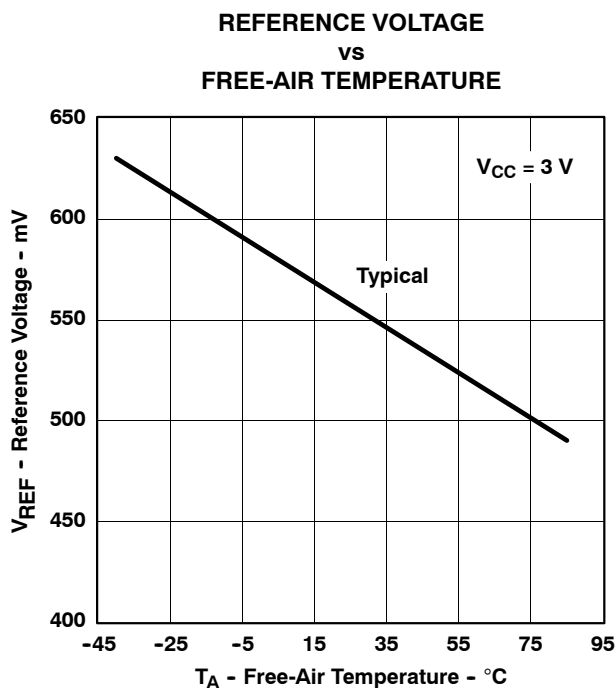


Figure 15. V_(RefVT) vs Temperature

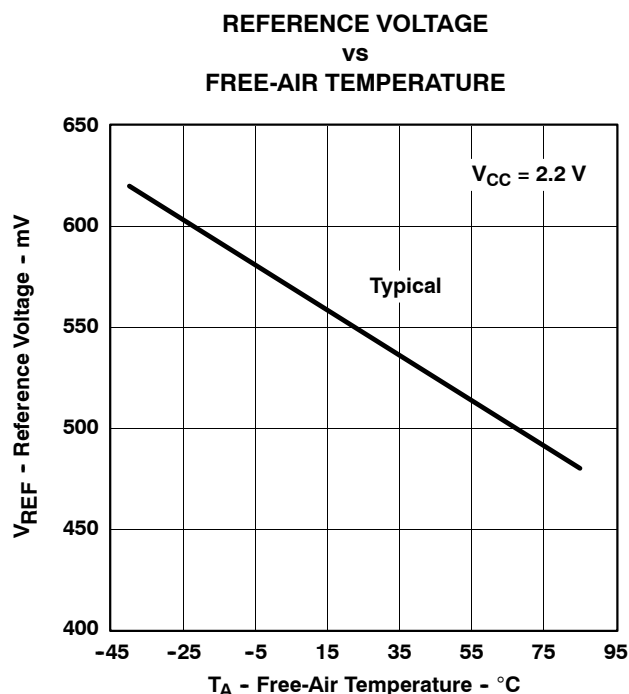


Figure 16. V_(RefVT) vs Temperature

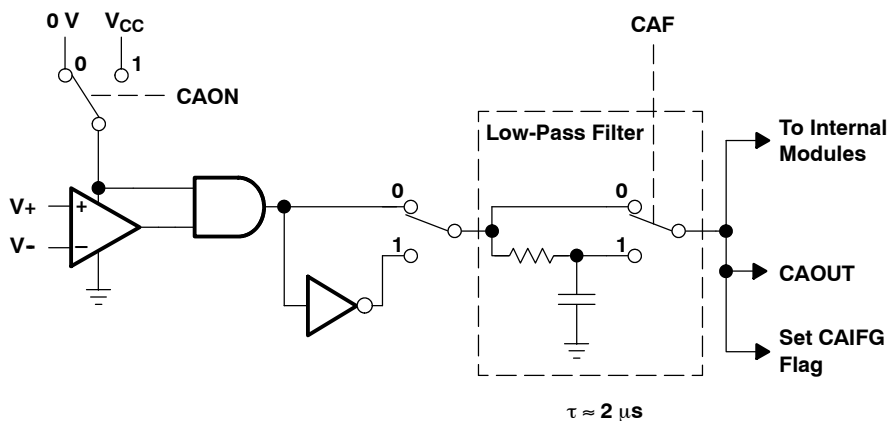


Figure 17. Block Diagram of Comparator_A Module

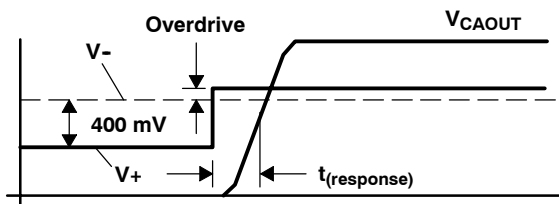


Figure 18. Overdrive Definition

MSP430F47x MIXED SIGNAL MICROCONTROLLER

SLAS629A - MARCH 2009 - REVISED APRIL 2009

electrical characteristics over recommended operating free-air temperature (unless otherwise noted) (continued)

SD16_A, power supply and recommended operating conditions

PARAMETER	TEST CONDITIONS	V _{CC}	MIN	TYP	MAX	UNIT	
AV _{CC}	Analog supply voltage AV _{CC} = DV _{CC} AV _{SS} = DV _{SS} = 0V		2.5		3.6	V	
I _{SD16}	Analog supply current including internal reference	SD16LP = 0, f _{SD16} = 1 MHz, SD16OSR = 256	SD16BUFx = 00, GAIN: 1,2	3 V	750	1050	μA
			SD16BUFx = 00, GAIN: 4,8,16	3 V	830	1150	
			SD16BUFx = 00, GAIN: 32	3 V	1150	1700	
		SD16LP = 1, f _{SD16} = 0.5 MHz, SD16OSR = 256	SD16BUFx = 00, GAIN: 1	3 V	730	1030	
			SD16BUFx = 00, GAIN: 32	3 V	830	1150	
			SD16LP = 0, f _{SD16} = 1 MHz, SD16OSR = 256	SD16BUFx = 01, GAIN: 1	3 V	850	
SD16BUFx = 10, GAIN: 1	3 V	1000					
SD16BUFx = 11, GAIN: 1	3 V	1130					
f _{SD16}	Analog front-end input clock frequency	SD16LP = 0 (Low power mode disabled)	3 V	0.03	1	1.1	MHz
		SD16LP = 1 (Low power mode enabled)	3 V	0.03	0.5		

SD16_A, input range

PARAMETER	TEST CONDITIONS	V _{CC}	MIN	TYP	MAX	UNIT	
V _I	Absolute input voltage range	SD16BUFx = 00	AV _{SS} -0.1V		AV _{CC}	V	
			AV _{SS} +0.2V		AV _{CC} -1.2V		
V _{IC}	Common-mode input voltage range	SD16BUFx = 00	AV _{SS} -0.1V		AV _{CC}	V	
		SD16BUFx > 00	AV _{SS} +0.2V		AV _{CC} -1.2V		
V _{ID,FSR}	Differential full scale input voltage range	Bipolar Mode, SD16UNI = 0	-V _{REF} /2GAIN		+V _{REF} /2GAIN	mV	
		Unipolar Mode, SD16UNI = 1	0		+V _{REF} /2GAIN	mV	
V _{ID}	Differential input voltage range for specified performance (see Note 1)	SD16REFON=1	SD16GAINx = 1		±500	mV	
			SD16GAINx = 2		±250		
			SD16GAINx = 4		±125		
			SD16GAINx = 8		±62		
			SD16GAINx = 16		±31		
			SD16GAINx = 32		±15		
Z _I	Input impedance (one input pin to AV _{SS})	f _{SD16} = 1MHz, SD16BUFx = 00	SD16GAINx = 1	3 V	200	kΩ	
			SD16GAINx = 32	3 V	75		
		f _{SD16} = 1MHz, SD16BUFx = 01	SD16GAINx = 1	3 V	>10	MΩ	
Z _{ID}	Differential input impedance (IN+ to IN-)	f _{SD16} = 1MHz, SD16BUFx = 00	SD16GAINx = 1	3 V	300	400	kΩ
			SD16GAINx = 32	3 V	100	150	
		f _{SD16} = 1MHz, SD16BUFx > 00	SD16GAINx = 1	3 V	>10		MΩ

NOTES: 1. The analog input range depends on the reference voltage applied to V_{REF}. If V_{REF} is sourced externally, the full-scale range is defined by V_{FSR+} = +(V_{REF}/2)/GAIN and V_{FSR-} = -(V_{REF}/2)/GAIN. The analog input range should not exceed 80% of V_{FSR+} or V_{FSR-}.



electrical characteristics over recommended operating free-air temperature (unless otherwise noted) (continued)

SD16_A, performance ($f_{SD16} = 30\text{kHz}$, $SD16REFON = 1$, $SD16BUFx = 01$)

PARAMETER	TEST CONDITIONS	V _{CC}	MIN	TYP	MAX	UNIT
SINAD Signal-to-noise + distortion ratio	SD16GAINx = 1, Signal Amplitude = 500mV SD16OSRx = 256	3 V		84		dB
	SD16GAINx = 1, Signal Amplitude = 500mV SD16OSRx = 512					
	SD16GAINx = 1, Signal Amplitude = 500mV SD16OSRx = 1024					
Nominal gain	SD16GAINx = 1, SD16OSRx = 1024	3 V	0.97	1.00	1.02	
dG/dT Gain temperature drift	SD16GAINx = 1, SD16OSRx = 1024 (see Note 1)	3 V		15		ppm/°C
dG/dV _{CC} Gain supply voltage drift	SD16GAINx = 1, SD16OSRx = 1024, V _{CC} = 2.5V - 3.6V (see Note 2)			0.35		%/V

NOTES: 1. Calculated using the box method: $(\text{MAX}(-40\dots85^\circ\text{C}) - \text{MIN}(-40\dots85^\circ\text{C})) / \text{MIN}(-40\dots85^\circ\text{C}) / (85^\circ\text{C} - (-40^\circ\text{C}))$
2. Calculated using the box method: $(\text{MAX}(2.5\dots3.6\text{V}) - \text{MIN}(2.5\dots3.6\text{V})) / \text{MIN}(2.5\dots3.6\text{V}) / (3.6\text{V} - 2.5\text{V})$

SD16_A, performance ($f_{SD16} = 1\text{MHz}$, $SD16OSRx = 256$, $SD16REFON = 1$, $SD16BUFx = 00$)

PARAMETER	TEST CONDITIONS	V _{CC}	MIN	TYP	MAX	UNIT
SINAD Signal-to-noise + distortion ratio	SD16GAINx = 1, Signal Amplitude = 500mV	3 V		83.5	85	dB
	SD16GAINx = 2, Signal Amplitude = 250mV					
	SD16GAINx = 4, Signal Amplitude = 125mV					
	SD16GAINx = 8, Signal Amplitude = 62mV					
	SD16GAINx = 16, Signal Amplitude = 31mV					
	SD16GAINx = 32, Signal Amplitude = 15mV					
G Nominal gain	SD16GAINx = 1	3 V		0.97	1.00	1.02
	SD16GAINx = 2					
	SD16GAINx = 4					
	SD16GAINx = 8					
	SD16GAINx = 16					
	SD16GAINx = 32					
E _{OS} Offset error	SD16GAINx = 1	3 V				%FSR
	SD16GAINx = 32					
dE _{OS} /dT Offset error temperature coefficient	SD16GAINx = 1	3 V		±4	±20	ppm FSR/°C
	SD16GAINx = 32					
CMRR Common-mode rejection ratio	SD16GAINx = 1, Common-mode input signal: V _{ID} = 500 mV, f _{IN} = 50 Hz, 100 Hz	3 V		>90		dB
	SD16GAINx = 32, Common-mode input signal: V _{ID} = 16 mV, f _{IN} = 50 Hz, 100 Hz					
PSRR Power supply rejection ratio	SD16GAINx = 1	3 V		>80		dB

NOTES: 1. Calculated using the box method: $(\text{MAX}(-40\dots85^\circ\text{C}) - \text{MIN}(-40\dots85^\circ\text{C})) / \text{MIN}(-40\dots85^\circ\text{C}) / (85^\circ\text{C} - (-40^\circ\text{C}))$
2. Calculated using the ADC output code and the box method:
 $(\text{MAX-code}(2.5\dots3.6\text{V}) - \text{MIN-code}(2.5\dots3.6\text{V})) / \text{MIN-code}(2.5\dots3.6\text{V}) / (3.6\text{V} - 2.5\text{V})$

MSP430F47x MIXED SIGNAL MICROCONTROLLER

SLAS629A - MARCH 2009 - REVISED APRIL 2009

electrical characteristics over recommended operating free-air temperature (unless otherwise noted) (continued)

SD16_A, linearity ($f_{SD16} = 1\text{MHz}$, $SD16REFON = 1$, $SD16BUFx = 00$)

PARAMETER		TEST CONDITIONS	V _{CC}	MIN	TYP	MAX	UNIT
INL	Integral non-linearity	SD16OSR = 256, SD16GAINx = 000b, Signal Amplitude = 500 mV	3 V		1.5		LSB
		SD16OSR = 256, SD16GAINx = 101b, Signal Amplitude = 15 mV	3 V		6		
		SD16OSR = 1024, SD16GAINx = 000b, Signal Amplitude = 500 mV	3 V		0.8		LSB
		SD16OSR = 1024, SD16GAINx = 101b, Signal Amplitude = 15 mV	3 V		3.5		

typical characteristics - SD16_A SINAD performance over OSR

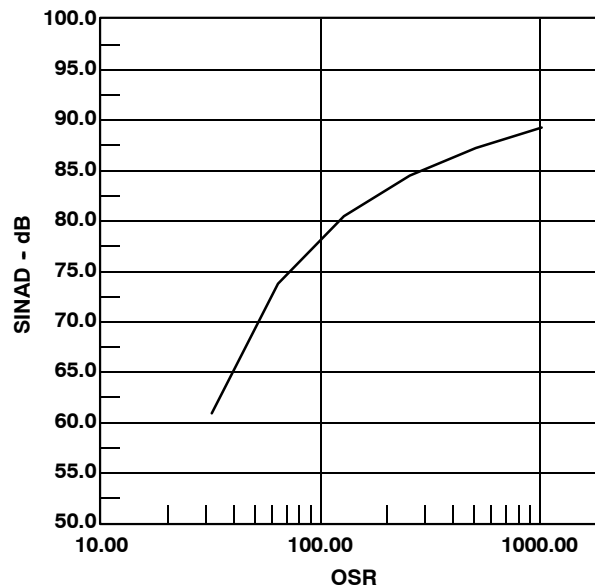


Figure 19. SINAD performance over OSR, $f_{SD16} = 1\text{MHz}$, $SD16REFON = 1$, $SD16GAINx = 1$

SD16_A, temperature sensor and built-in V_{CC} sense

PARAMETER		TEST CONDITIONS	V _{CC}	MIN	TYP	MAX	UNIT
TC _{Sensor}	Sensor temperature coefficient	See Note 1		1.18	1.32	1.46	mV/K
V _{Offset,sensor}	Sensor offset voltage	See Note 1		-100		100	mV
V _{Sensor}	Sensor output voltage (see Note 3)	Temperature sensor voltage at T _A = 85°C	3 V	435	475	515	mV
		Temperature sensor voltage at T _A = 25°C	3 V	355	395	435	
		Temperature sensor voltage at T _A = 0°C (see Note 1)	3 V	320	360	400	
V _{CC,Sense}	V _{CC} divider at input 5	$f_{SD16} = 32\text{kHz}$, $SD16OSRx = 256$, $SD16REFON = 1$		0.08	1/11	0.1	V

- NOTES:
- Not production tested, limits characterized.
 - The following formula can be used to calculate the temperature sensor output voltage:

$$V_{\text{Sensor,typ}} = TC_{\text{Sensor}} (273 + T [^{\circ}\text{C}]) + V_{\text{Offset,sensor}} [\text{mV}]$$
 - Results based on characterization and/or production test, not TC_{Sensor} or V_{Offset,sensor}.



electrical characteristics over recommended operating free-air temperature (unless otherwise noted) (continued)

SD16_A, built-in voltage reference

PARAMETER		TEST CONDITIONS	V _{CC}	MIN	TYP	MAX	UNIT
V _{REF}	Internal reference voltage	SD16REFON = 1, SD16VMIDON = 0	3 V	1.14	1.20	1.26	V
I _{REF}	Reference supply current	SD16REFON = 1, SD16VMIDON = 0	3 V		175	260	μA
TC	Temperature coefficient	SD16REFON = 1, SD16VMIDON = 0 (see Note 1)	3 V		18	50	ppm/K
C _{REF}	V _{REF} load capacitance	SD16REFON = 1, SD16VMIDON = 0 (see Note 2)			100		nF
I _{LOAD}	V _{REF(I)} maximum load current	SD16REFON = 1, SD16VMIDON = 0	3 V			±200	nA
t _{ON}	Turn on time	SD16REFON = 0->1, SD16VMIDON = 0, C _{REF} = 100nF	3 V		5		ms
PSRR	Line regulation	SD16REFON = 1, SD16VMIDON = 0	3 V		100		uV/V

NOTES: 1. Calculated using the box method: (MAX(-40...85°C) - MIN(-40...85°C))/MIN(-40...85°C)/(85C - (-40°C))
 2. There is no capacitance required on V_{REF}. However, a capacitance of at least 100nF is recommended to reduce any reference voltage noise.

SD16_A, reference output buffer

PARAMETER		TEST CONDITIONS	V _{CC}	MIN	TYP	MAX	UNIT
V _{REF,BUF}	Reference buffer output voltage	SD16REFON = 1, SD16VMIDON = 1	3 V		1.2		V
I _{REF,BUF}	Reference Supply + Reference output buffer quiescent current	SD16REFON = 1, SD16VMIDON = 1	3 V		385	600	μA
C _{REF(O)}	Required load capacitance on V _{REF}	SD16REFON = 1, SD16VMIDON = 1		470			nF
I _{LOAD,Max}	Maximum load current on V _{REF}	SD16REFON = 1, SD16VMIDON = 1	3 V			±1	mA
	Maximum voltage variation vs. load current	I _{LOAD} = 0 to 1mA	3 V	-15		+15	mV
t _{ON}	Turn on time	SD16REFON = 0->1, SD16VMIDON = 1, C _{REF} = 470nF	3 V		100		μs

SD16_A, external reference input

PARAMETER		TEST CONDITIONS	V _{CC}	MIN	TYP	MAX	UNIT
V _{REF(I)}	Input voltage range	SD16REFON = 0	3 V	1.0	1.25	1.5	V
I _{REF(I)}	Input current	SD16REFON = 0	3 V			50	nA

MSP430F47x MIXED SIGNAL MICROCONTROLLER

SLAS629A - MARCH 2009 - REVISED APRIL 2009

electrical characteristics over recommended operating free-air temperature (unless otherwise noted) (continued)

12-bit DAC, supply specifications

PARAMETER		TEST CONDITIONS	V _{CC}	MIN	TYP	MAX	UNIT
AV _{CC}	Analog supply voltage	AV _{CC} = DV _{CC} , AV _{SS} = DV _{SS} = 0 V		2.20		3.60	V
I _{DD}	Supply current (see Notes 1 and 2)	DAC12AMP _x = 2, DAC12IR = 0, DAC12_xDAT = 0800h	2.2 V/3 V		50	110	μA
		DAC12AMP _x = 2, DAC12IR = 1, DAC12_xDAT = 0800h, V _{REF, DAC12} = AV _{CC}	2.2 V/3 V		50	110	
		DAC12AMP _x = 5, DAC12IR = 1, DAC12_xDAT = 0800h, V _{REF, DAC12} = AV _{CC}	2.2 V/3 V		200	440	
		DAC12AMP _x = 7, DAC12IR = 1, DAC12_xDAT = 0800h, V _{REF, DAC12} = AV _{CC}	2.2 V/3 V		700	1500	
PSRR	Power-supply rejection ratio (see Notes 3 and 4)	DAC12_xDAT = 800h, V _{REF, DAC12} = 1.2 V, ΔAV _{CC} = 100 mV	2.7 V		70		dB

- NOTES: 1. No load at the output pin assuming that the control bits for the shared pins are set properly.
 2. Current into reference terminals not included. If DAC12IR = 1 current flows through the input divider; see Reference Input specifications.
 3. PSRR = 20*log{ΔAV_{CC}/ΔV_{DAC12_xOUT}}.
 4. V_{REF} is applied externally. The internal reference is not used.



electrical characteristics over recommended operating free-air temperature (unless otherwise noted) (continued)

12-bit DAC, linearity specifications (see Figure 20)

PARAMETER		TEST CONDITIONS	V _{CC}	MIN	TYP	MAX	UNIT
INL	Integral nonlinearity (see Note 1)	V _{REF,DAC12} = 1.2V or V _{REF,ext} = 2.5V DAC12AMPx = 7, DAC12IR = 1	2.7V		±2.0	±8.0	LSB
DNL	Differential nonlinearity (see Note 1)	V _{REF,ext} = 1.2V DAC12AMPx = 7, DAC12IR = 1	2.7V	-1	±0.4	+1.3	LSB
		V _{REF,ext} = 2.5V DAC12AMPx = 7, DAC12IR = 1	2.7V		±0.4	±1.0	LSB
E _O	Offset voltage w/o calibration (see Notes 1, 2)	V _{REF, DAC12} = 1.2 V, DAC12AMPx = 7, DAC12IR = 1	2.7 V			±20	mV
	Offset voltage with calibration (see Notes 1, 2)	V _{REF, DAC12} = 1.2 V, DAC12AMPx = 7, DAC12IR = 1	2.7 V			±2.5	
d _{E(O)/dT}	Offset error temperature coefficient (see Note 1)		2.7 V		±30		µV/°C
E _G	Gain error (see Note 1)	V _{REF, DAC12} = 1.2 V	2.7 V			±3.50	% FSR
d _{E(G)/dT}	Gain temperature coefficient (see Note 1)		2.7 V		10		ppm of FSR/°C
t _{Offset_Cal}	Time for offset calibration (see Note 3)	DAC12AMPx = 2	2.7 V			100	ms
		DAC12AMPx = 3, 5	2.7 V			32	
		DAC12AMPx = 4, 6, 7	2.7 V			6	

- NOTES: 1. Parameters calculated from the best-fit curve from 0x0A to 0xFFF. The best-fit curve method is used to deliver coefficients “a” and “b” of the first order equation: $y = a + b*x$. $V_{DAC12_xOUT} = E_O + (1 + E_G) * (V_{REF, DAC12}/4095) * DAC12_xDAT$, DAC12IR = 1.
2. The offset calibration works on the output operational amplifier. Offset Calibration is triggered setting bit DAC12CALON
3. The offset calibration can be done if DAC12AMPx = {2, 3, 4, 5, 6, 7}. The output operational amplifier is switched off with DAC12AMPx = {0, 1}. It is recommended that the DAC12 module be configured prior to initiating calibration. Port activity during calibration may effect accuracy and is not recommended.

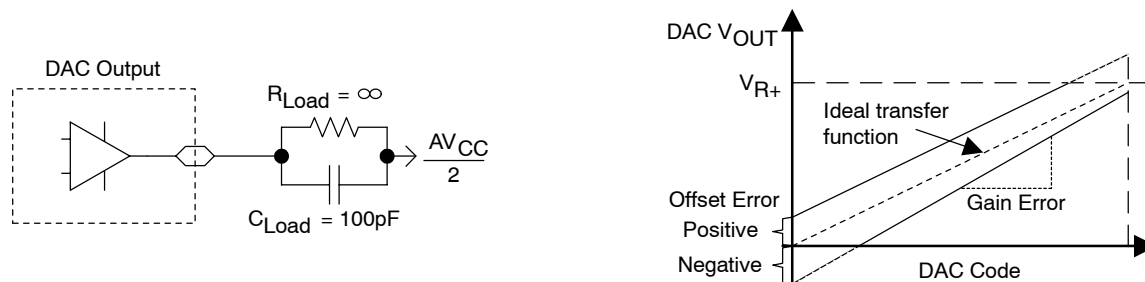


Figure 20. Linearity Test Load Conditions and Gain/Offset Definition

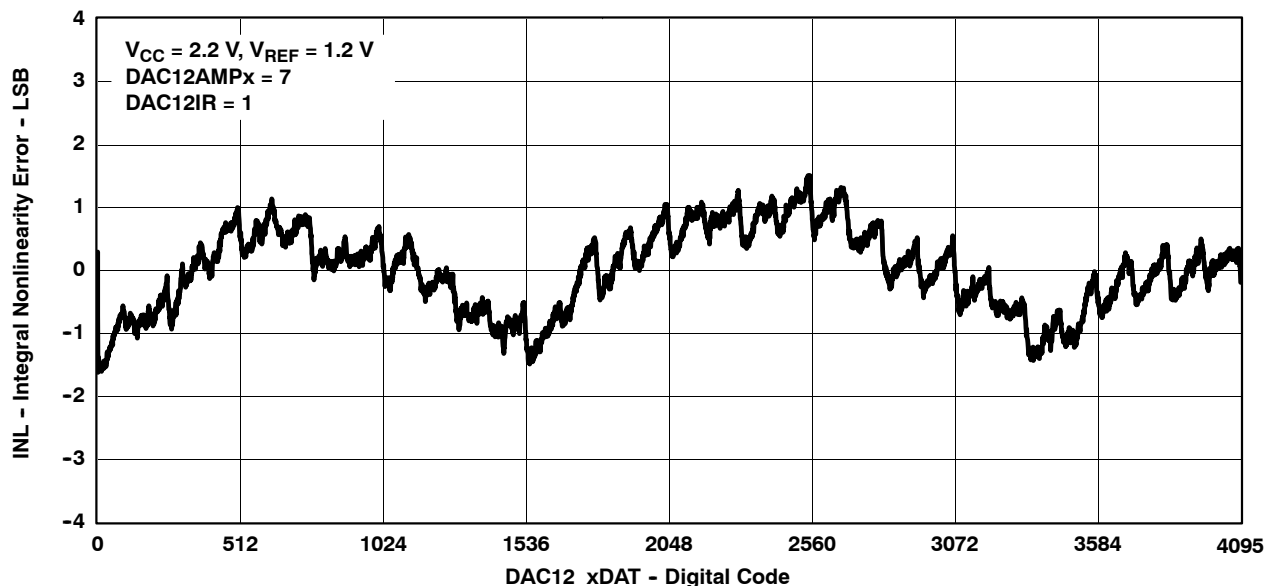
MSP430F47x MIXED SIGNAL MICROCONTROLLER

SLAS629A - MARCH 2009 - REVISED APRIL 2009

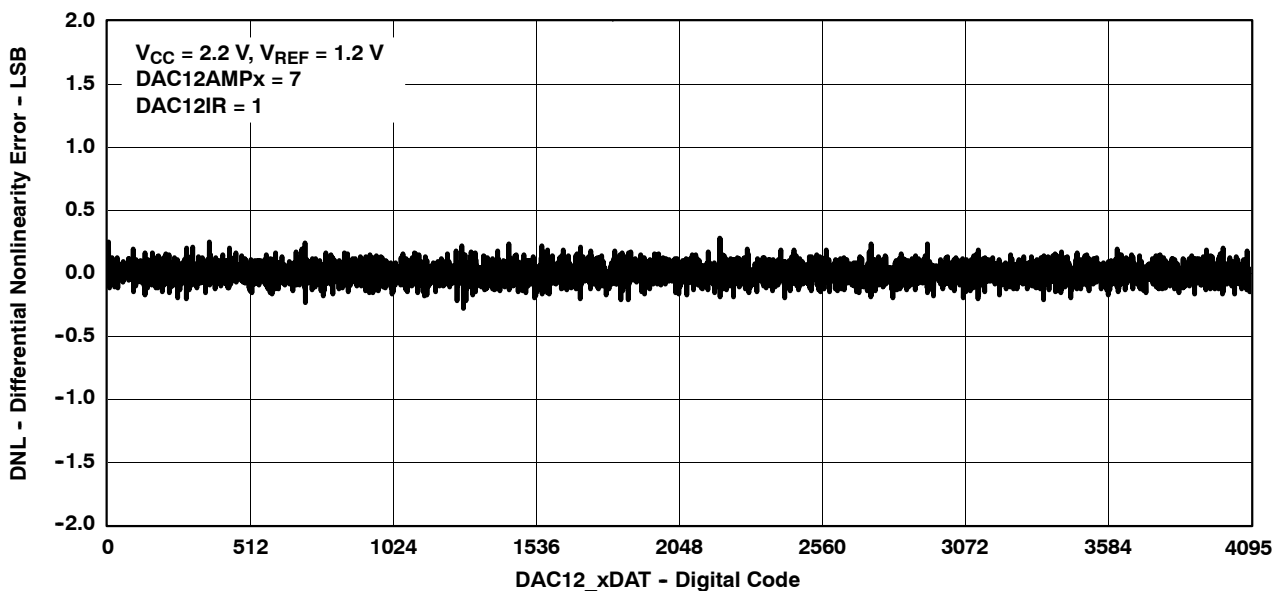
electrical characteristics over recommended operating free-air temperature (unless otherwise noted) (continued)

12-bit DAC, linearity specifications (continued)

TYPICAL INL ERROR
vs
DIGITAL INPUT DATA



TYPICAL DNL ERROR
vs
DIGITAL INPUT DATA



electrical characteristics over recommended operating free-air temperature (unless otherwise noted) (continued)

12-bit DAC, output specifications

PARAMETER	TEST CONDITIONS	V _{CC}	MIN	TYP	MAX	UNIT	
V _O Output voltage range (see Note 1, Figure 23)	No Load, V _{REF, DAC12} = AV _{CC} , DAC12_xDAT = 0h, DAC12IR = 1, DAC12AMPx = 7	2.2 V/3 V	0		0.005	V	
	No Load, V _{REF, DAC12} = AV _{CC} , DAC12_xDAT = 0FFFh, DAC12IR = 1, DAC12AMPx = 7	2.2 V/3 V	AV _{CC} -0.05		AV _{CC}		
	R _{Load} = 3 kΩ, V _{REF, DAC12} = AV _{CC} , DAC12_xDAT = 0h, DAC12IR = 1, DAC12AMPx = 7	2.2 V/3 V	0		0.1		
	R _{Load} = 3 kΩ, V _{REF, DAC12} = AV _{CC} , DAC12_xDAT = 0FFFh, DAC12IR = 1, DAC12AMPx = 7	2.2 V/3 V	AV _{CC} -0.13		AV _{CC}		
C _{L(DAC12)}	Max DAC12 load capacitance	2.2 V/3 V			100	pF	
I _{L(DAC12)}	Max DAC12 load current	2.2 V	-0.5		+0.5	mA	
		3 V	-1.0		+1.0		
R _{O/P(DAC12)}	Output resistance (see Figure 23)	R _{Load} = 3 kΩ, V _{O/P(DAC12)} < 0.3 V, DAC12AMPx = 2, DAC12_xDAT = 0h	2.2 V/3 V		150	250	Ω
		R _{Load} = 3 kΩ, V _{O/P(DAC12)} > AV _{CC} - 0.3 V, DAC12_xDAT = 0FFFh	2.2 V/3 V		150	250	
		R _{Load} = 3 kΩ, 0.3 V ≤ V _{O/P(DAC12)} ≤ AV _{CC} - 0.3 V	2.2 V/3 V		1	4	

NOTES: 1. Data is valid after the offset calibration of the output amplifier.

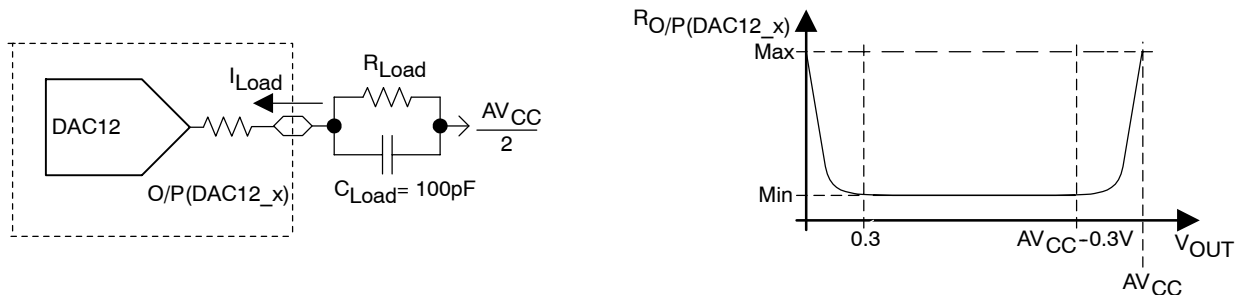


Figure 23. DAC12_x Output Resistance Tests

MSP430F47x MIXED SIGNAL MICROCONTROLLER

SLAS629A - MARCH 2009 - REVISED APRIL 2009

electrical characteristics over recommended operating free-air temperature (unless otherwise noted)

12-bit DAC, reference input specifications

PARAMETER	TEST CONDITIONS	V _{CC}	MIN	TYP	MAX	UNIT
V _{REF}	Reference input voltage range	DAC12IR = 0 (see Notes 1 and 2)	2.2 V/3 V	AV _{CC} /3	AV _{CC} +0.2	V
		DAC12IR = 1 (see Notes 3 and 4)	2.2 V/3 V	AV _{CC}	AV _{CC} +0.2	
R _{i(VREF)}	Reference input resistance	DAC12IR = 0, SD16VMIDON = 1 (see Note 5)	2.2 V/3 V	20		MΩ
		DAC12IR = 1, SD16VMIDON = 1	2.2 V/3 V	40	48	56

- NOTES: 1. For a full-scale output, the reference input voltage can be as high as 1/3 of the maximum output voltage swing (AV_{CC}).
 2. The maximum voltage applied at reference input voltage terminal V_{REF} = [AV_{CC} - V_{E(O)}] / [3*(1 + E_G)].
 3. For a full-scale output, the reference input voltage can be as high as the maximum output voltage swing (AV_{CC}).
 4. The maximum voltage applied at reference input voltage terminal V_{REF} = [AV_{CC} - V_{E(O)}] / (1 + E_G).
 5. Characterized, not production tested

12-bit DAC, dynamic specifications (V_{REF}, DAC12 = AV_{CC}, DAC12IR = 1) (see Figure 24 and Figure 25)

PARAMETER	TEST CONDITIONS	V _{CC}	MIN	TYP	MAX	UNIT
t _{ON}	DAC12_xDAT = 800h, Error _{V(O)} < ±0.5 LSB (see Note 1, Figure 24)	DAC12AMPx = 0 → {2, 3, 4}	2.2 V/3 V	60	120	μs
		DAC12AMPx = 0 → {5, 6}	2.2 V/3 V	15	30	
		DAC12AMPx = 0 → 7	2.2 V/3 V	6	12	
t _{S(FS)}	DAC12_xDAT = 80h → F7Fh → 80h	DAC12AMPx = 2	2.2 V/3 V	100	200	μs
		DAC12AMPx = 3, 5	2.2 V/3 V	40	80	
		DAC12AMPx = 4, 6, 7	2.2 V/3 V	15	30	
t _{S(C-C)}	DAC12_xDAT = 3F8h → 408h → 3F8h BF8h → C08h → BF8h	DAC12AMPx = 2	2.2 V/3 V	5		μs
		DAC12AMPx = 3, 5	2.2 V/3 V	2		
		DAC12AMPx = 4, 6, 7	2.2 V/3 V	1		
SR	DAC12_xDAT = 80h → F7Fh → 80h	DAC12AMPx = 2	2.2 V/3 V	0.05	0.12	V/μs
		DAC12AMPx = 3, 5	2.2 V/3 V	0.35	0.7	
		DAC12AMPx = 4, 6, 7	2.2 V/3 V	1.5	2.7	
Glitch energy: full-scale	DAC12_xDAT = 80h → F7Fh → 80h	DAC12AMPx = 2	2.2 V/3 V	600		nV-s
		DAC12AMPx = 3, 5	2.2 V/3 V	150		
		DAC12AMPx = 4, 6, 7	2.2 V/3 V	30		

- NOTES: 1. R_{Load} and C_{Load} connected to AV_{SS} (not AV_{CC}/2) in Figure 24.
 2. Slew rate applies to output voltage steps > = 200mV.

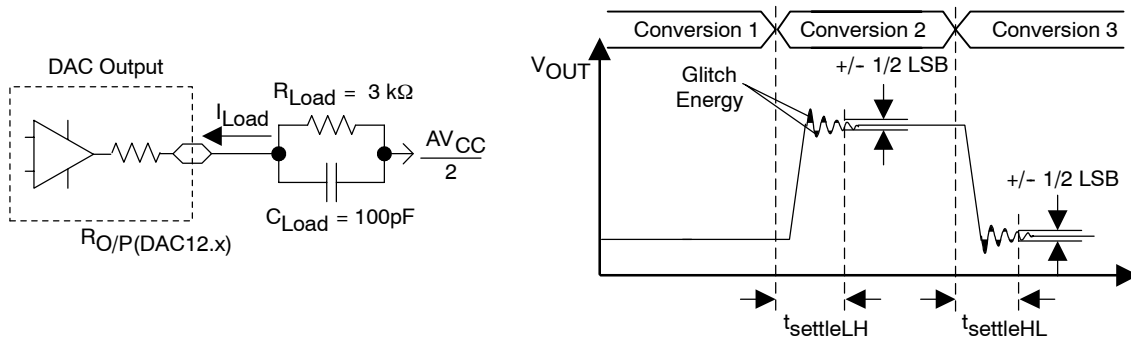


Figure 24. Settling Time and Glitch Energy Testing

electrical characteristics over recommended operating free-air temperature (unless otherwise noted)

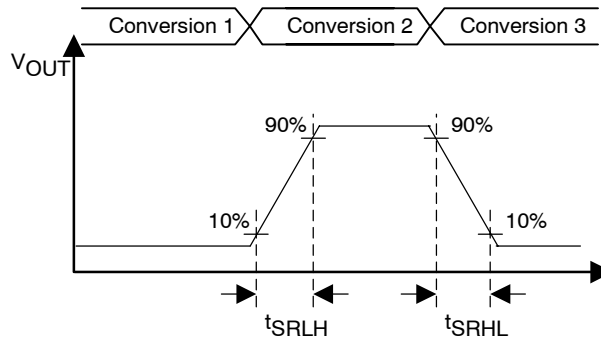


Figure 25. Slew Rate Testing

12-bit DAC, dynamic specifications continued ($T_A = 25^\circ\text{C}$ unless otherwise noted)

PARAMETER	TEST CONDITIONS	V _{CC}	MIN	MAX	UNIT
BW _{-3dB} 3-dB bandwidth, V _{DC} = 1.5V, V _{AC} = 0.1V _{PP} (see Figure 26)	DAC12AMPx = {2, 3, 4}, DAC12SREFx = 2, DAC12IR = 1, DAC12_xDAT = 800h	2.2 V/3 V	40		kHz
	DAC12AMPx = {5, 6}, DAC12SREFx = 2, DAC12IR = 1, DAC12_xDAT = 800h	2.2 V/3 V	180		
	DAC12AMPx = 7, DAC12SREFx = 2, DAC12IR = 1, DAC12_xDAT = 800h	2.2 V/3 V	550		

NOTES: 1. R_{LOAD} = 3 kΩ, C_{LOAD} = 100 pF

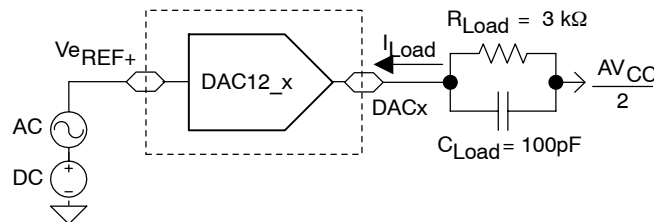


Figure 26. Test Conditions for 3-dB Bandwidth Specification

MSP430F47x MIXED SIGNAL MICROCONTROLLER

SLAS629A - MARCH 2009 - REVISED APRIL 2009

electrical characteristics over recommended operating free-air temperature (unless otherwise noted)

Timer_A

PARAMETER		TEST CONDITIONS	V _{CC}	MIN	MAX	UNIT
f _{TA}	Timer_A clock frequency	Internal: SMCLK, ACLK, External: TACLK, INCLK, Duty cycle = 50% ±10%	2.2 V		8	MHz
			3 V		10	
t _{TA, cap}	Timer_A, capture timing	TA0, TA1, TA2	2.2 V/3 V	20		ns

Timer_B

PARAMETER		TEST CONDITIONS	V _{CC}	MIN	MAX	UNIT
f _{TB}	Timer_B clock frequency	Internal: SMCLK, ACLK, External: TBCLK, Duty cycle = 50% ±10%	2.2 V		8	MHz
			3 V		10	
t _{TB, cap}	Timer_B, capture timing	TB0, TB1, TB2	2.2 V/3 V	20		ns



electrical characteristics over recommended ranges of supply voltage and operating free-air temperature (unless otherwise noted) (continued)

USCI (UART mode)

PARAMETER		TEST CONDITIONS	V _{CC}	MIN	TYP	MAX	UNIT
f _{USCI}	USCI input clock frequency	Internal: SMCLK, ACLK External: UCLK Duty cycle = 50% ± 10%			f _{SYSTEM}		MHz
f _{max, BITCLK}	Maximum BITCLK clock frequency (equals baudrate in MBaud) (see Note 1)		2.2 V / 3 V	2			MHz
t _t	UART receive deglitch time (see Note 2)		2.2 V	50	150		ns
			3 V	50	100		ns

NOTES: 1. The DCO wake-up time must be considered in LPM3/4 for baud rates above 1 MHz.
2. Pulses on the UART receive input (UCxRX) shorter than the UART receive deglitch time are suppressed.

USCI (SPI master mode) (see Figure 27 and Figure 28)

PARAMETER		TEST CONDITIONS	V _{CC}	MIN	MAX	UNIT
f _{USCI}	USCI input clock frequency	SMCLK, ACLK Duty cycle = 50% ± 10%			f _{SYSTEM}	MHz
t _{SU, MI}	SOMI input data setup time		2.2 V	110		ns
			3 V	75		ns
t _{HD, MI}	SOMI input data hold time		2.2 V	0		ns
			3 V	0		ns
t _{VALID, MO}	SIMO output data valid time	UCLK edge to SIMO valid, C _L = 20 pF	2.2 V		30	ns
			3 V		20	ns

NOTE: $f_{UCxCLK} = \frac{1}{2t_{LO/HI}}$ with $t_{LO/HI} \geq \max(t_{VALID,MO(USCI)} + t_{SU,SI(Slave)}, t_{SU,MI(USCI)} + t_{VALID,SO(Slave)})$.
For the slave's parameters t_{SU, SI(Slave)} and t_{VALID, SO(Slave)} refer to the SPI parameters of the attached slave.

USCI (SPI slave mode) (see Figure 29 and Figure 30)

PARAMETER		TEST CONDITIONS	V _{CC}	MIN	TYP	MAX	UNIT
t _{STE, LEAD}	STE lead time STE low to clock		2.2 V/3 V		50		ns
t _{STE, LAG}	STE lag time Last clock to STE high		2.2 V/3 V	10			ns
t _{STE, ACC}	STE access time STE low to SOMI data out		2.2 V/3 V		50		ns
t _{STE, DIS}	STE disable time STE high to SOMI high impedance		2.2 V/3 V		50		ns
t _{SU, SI}	SIMO input data setup time		2.2 V	20			ns
			3 V	15			ns
t _{HD, SI}	SIMO input data hold time		2.2 V	10			ns
			3 V	10			ns
t _{VALID, SO}	SOMI output data valid time	UCLK edge to SOMI valid, C _L = 20 pF	2.2 V		75	110	ns
			3 V		50	75	ns

NOTE: $f_{UCxCLK} = \frac{1}{2t_{LO/HI}}$ with $t_{LO/HI} \geq \max(t_{VALID,MO(Master)} + t_{SU,SI(USCI)}, t_{SU,MI(Master)} + t_{VALID,SO(USCI)})$.
For the master's parameters t_{SU, MI(Master)} and t_{VALID, MO(Master)} refer to the SPI parameters of the attached master.

MSP430F47x MIXED SIGNAL MICROCONTROLLER

SLAS629A - MARCH 2009 - REVISED APRIL 2009

electrical characteristics over recommended ranges of supply voltage and operating free-air temperature (unless otherwise noted) (continued)

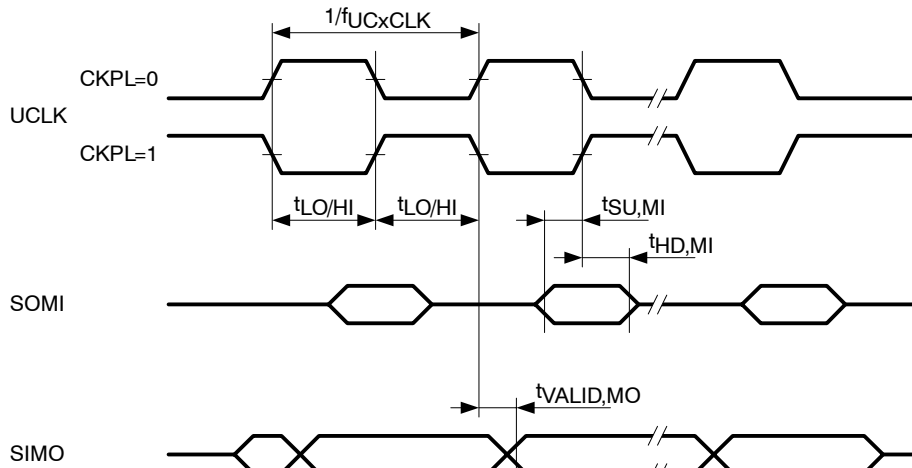


Figure 27. SPI Master Mode, CKPH = 0

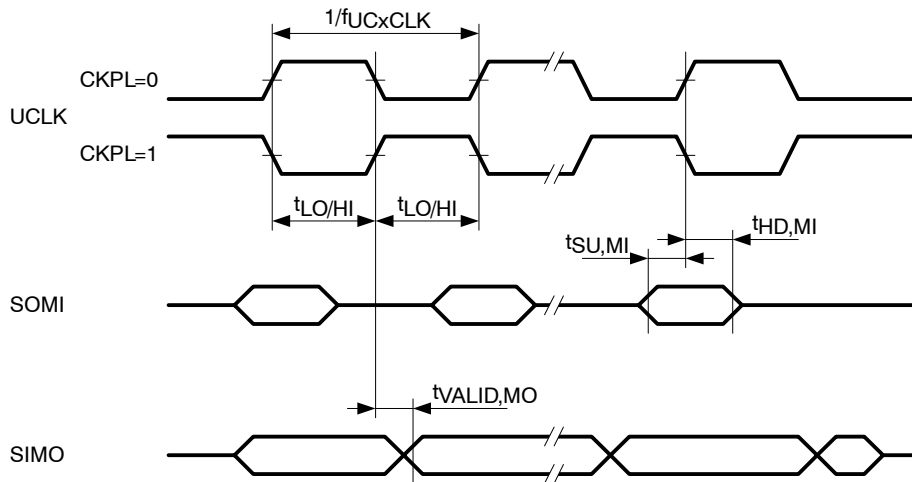


Figure 28. SPI Master Mode, CKPH = 1

electrical characteristics over recommended ranges of supply voltage and operating free-air temperature (unless otherwise noted) (continued)

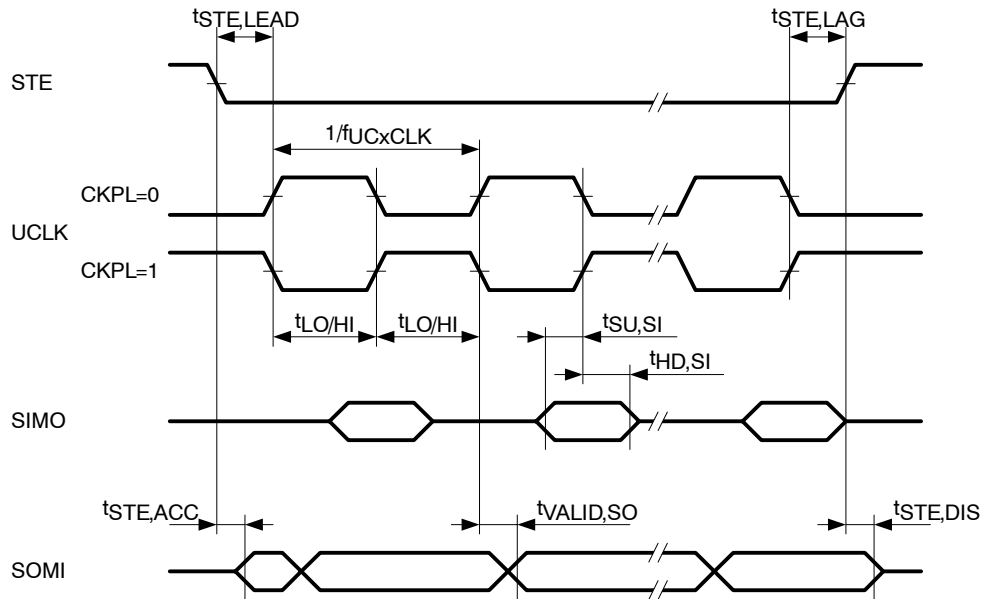


Figure 29. SPI Slave Mode, CKPH = 0

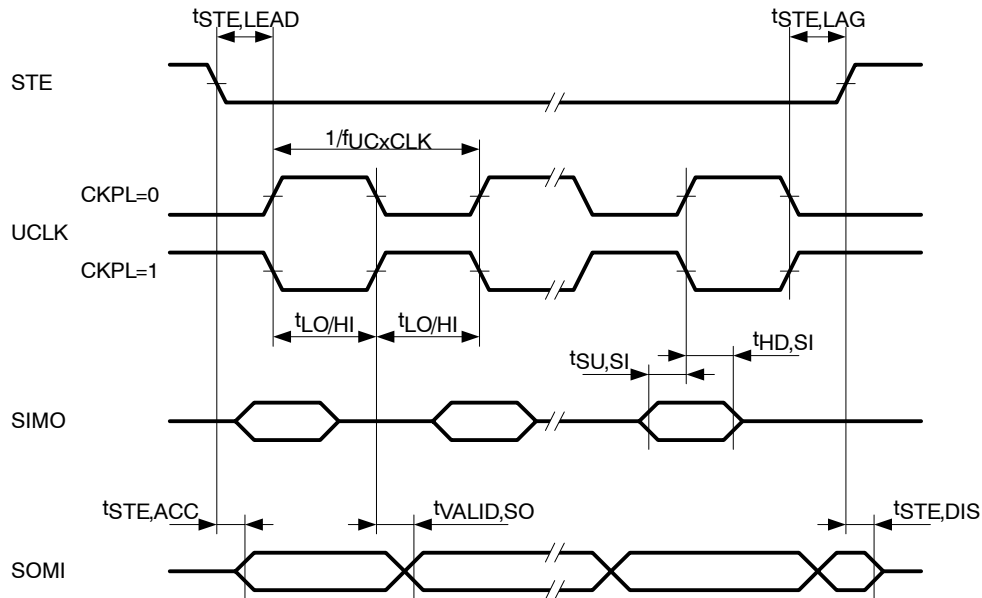


Figure 30. SPI Slave Mode, CKPH = 1

electrical characteristics over recommended ranges of supply voltage and operating free-air temperature (unless otherwise noted) (continued)

flash memory

PARAMETER		TEST CONDITIONS	V _{CC}	MIN	TYP	MAX	UNIT
V _{CC(PGM/ERASE)}	Program and erase supply voltage			2.2		3.6	V
f _{FTG}	Flash timing generator frequency			257		476	kHz
I _{PGM}	Supply current from DV _{CC} during program		2.5 V/3.6 V		3	5	mA
I _{ERASE}	Supply current from DV _{CC} during erase		2.5 V/3.6 V		3	7	mA
t _{CPT}	Cumulative program time	See Note 1	2.5 V/3.6 V			10	ms
t _{CMErase}	Cumulative mass erase time	See Note 2	2.5 V/3.6 V	200			ms
	Program/erase endurance			10 ⁴	10 ⁵		cycles
t _{Retention}	Data retention duration	T _J = 25°C		100			years
t _{Word}	Word or byte program time	see Note 3			35		t _{FTG}
t _{Block, 0}	Block program time for 1 st byte or word				30		
t _{Block, 1-63}	Block program time for each additional byte or word				21		
t _{Block, End}	Block program end-sequence wait time				6		
t _{Mass Erase}	Mass erase time				5297		
t _{Seq Erase}	Segment erase time				4819		

- NOTES: 1. The cumulative program time must not be exceeded when writing to a 64-byte flash block. This parameter applies to all programming methods: individual word/byte write and block write modes.
 2. The mass erase duration generated by the flash timing generator is at least 11.1ms (= 5297x1/f_{FTG}, max = 5297x1/476kHz). To achieve the required cumulative mass erase time the Flash Controller's mass erase operation can be repeated until this time is met. (A worst case minimum of 19 cycles are required).
 3. These values are hardwired into the Flash Controller's state machine (t_{FTG} = 1/f_{FTG}).

JTAG interface

PARAMETER		TEST CONDITIONS	V _{CC}	MIN	TYP	MAX	UNIT
f _{TCK}	TCK input frequency	See Note 1	2.2 V	0		5	MHz
			3 V	0		10	MHz
R _{Internal}	Internal pullup resistance on TMS, TCK, TDI/TCLK	See Note 2	2.2 V/ 3 V	25	60	90	kΩ

- NOTES: 1. f_{TCK} may be restricted to meet the timing requirements of the module selected.
 2. TMS, TDI/TCLK, and TCK pullup resistors are implemented in all versions.

JTAG fuse (see Note 1)

PARAMETER		TEST CONDITIONS	MIN	MAX	UNIT
V _{CC(FB)}	Supply voltage during fuse-blow condition	T _A = 25°C	2.5		V
V _{FB}	Voltage level on TDI/TCLK for fuse-blow: F versions		6	7	V
I _{FB}	Supply current into TDI/TCLK during fuse blow			100	mA
t _{FB}	Time to blow fuse			1	ms

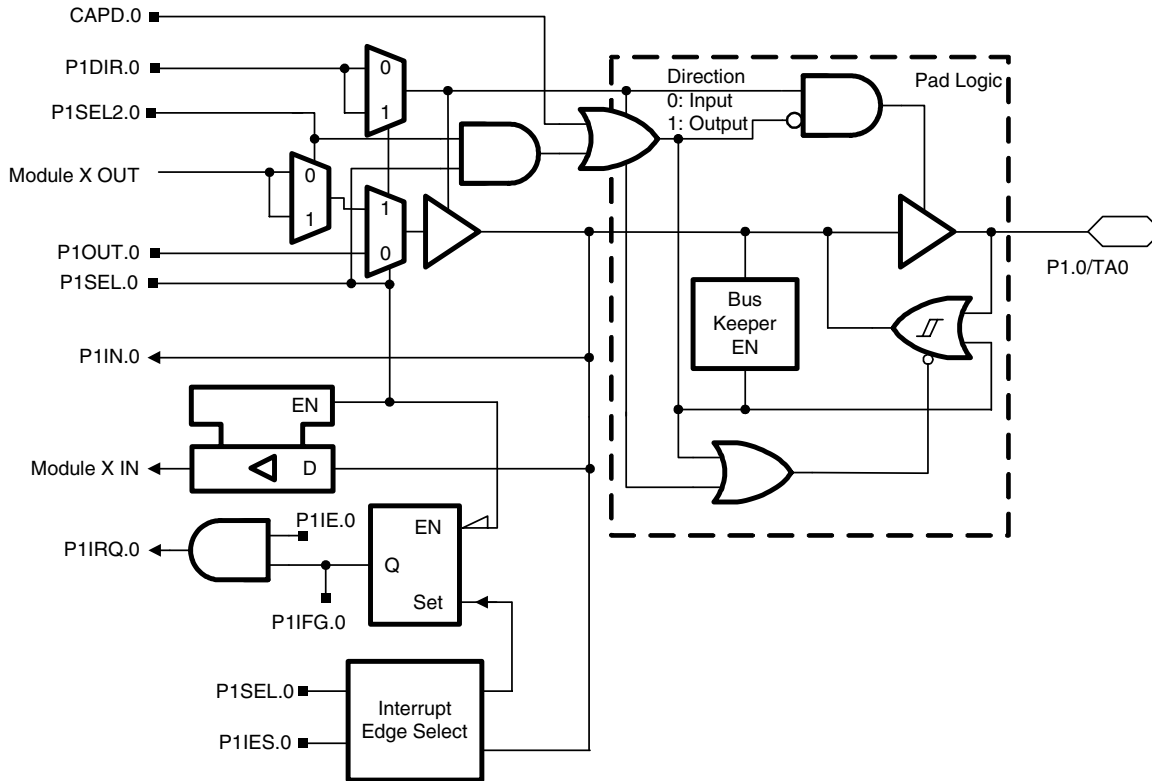
- NOTES: 1. Once the fuse is blown, no further access to the MSP430 JTAG/Test and emulation features is possible. The JTAG block is switched to bypass mode.

MSP430F47x MIXED SIGNAL MICROCONTROLLER

SLAS629A - MARCH 2009 - REVISED APRIL 2009

APPLICATION INFORMATION

Port P1 pin schematic: P1.0, input/output with Schmitt trigger

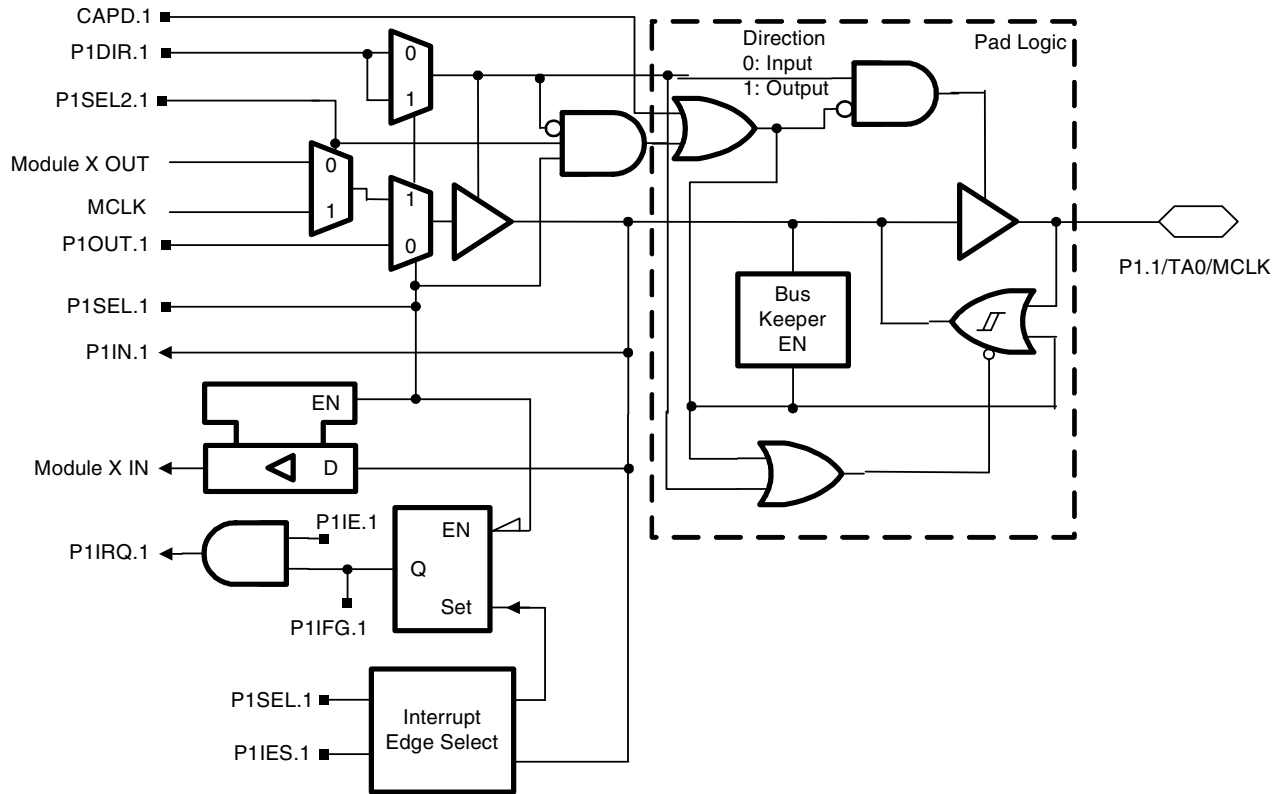


Port P1 (P1.0) pin functions

PIN NAME (P1.X)	X	FUNCTION	CONTROL BITS / SIGNALS			
			CAPD.x	P1DIR.x	P1SEL.x	P1SEL2.x
P1.0/TA0	0	P1.x (I/O)	0	I: 0, O: 1	0	0
		Timer_A3.CCI0A	0	0	1	0
		Timer_A3.TA0	0	1	1	0

APPLICATION INFORMATION

Port P1 pin schematic: P1.1, input/output with Schmitt trigger



Port P1 (P1.1) pin functions

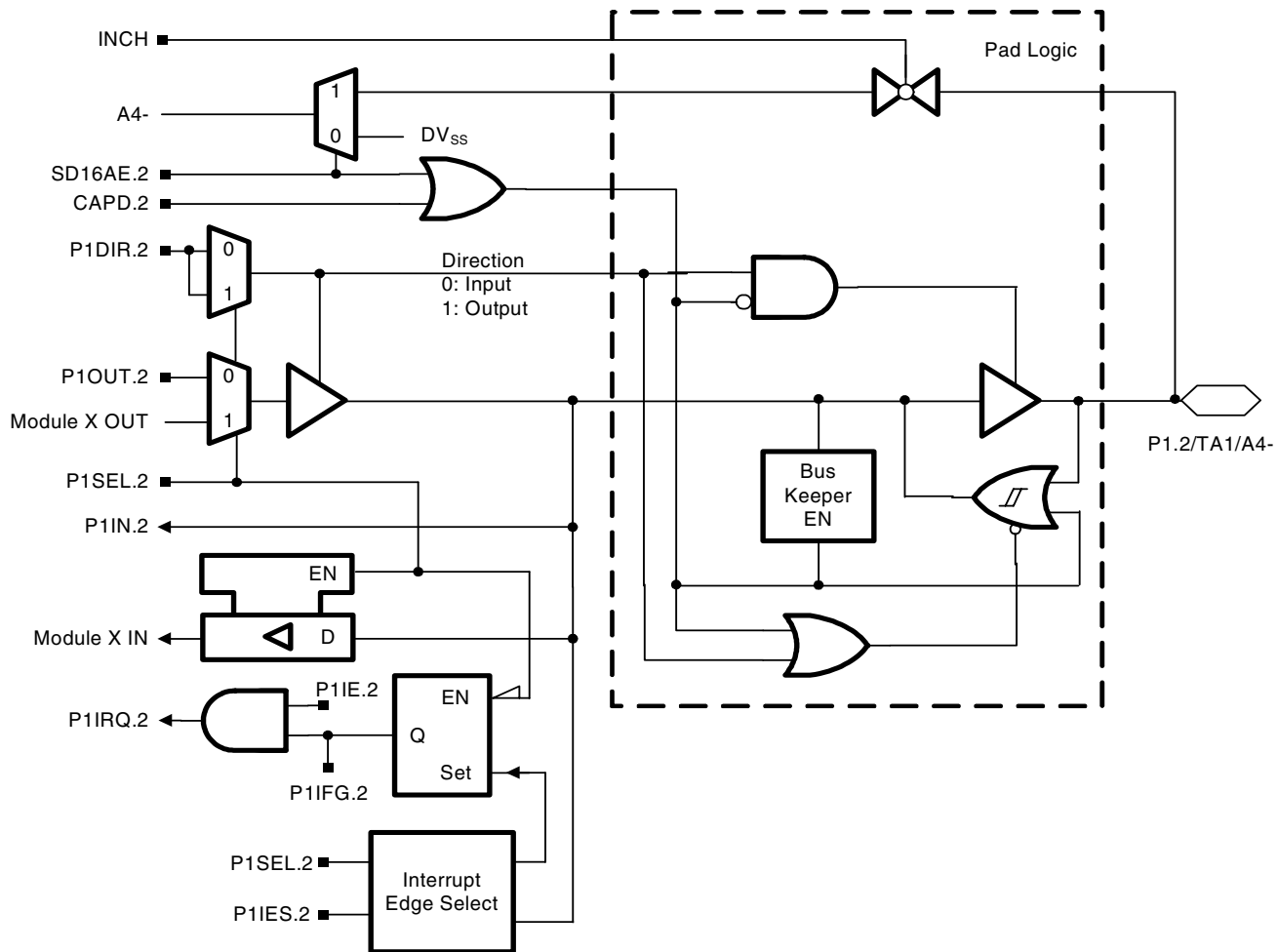
PIN NAME (P1.X)	X	FUNCTION	CONTROL BITS / SIGNALS			
			CAPD.x	P1DIR.x	P1SEL.x	P1SEL2.x
P1.1/TA0/MCLK	1	P1.x (I/O)	0	I: 0, O: 1	0	0
		Timer_A3.CCI0A	0	0	1	0
		Timer_A3.TA0	0	1	1	0
		MCLK	0	1	1	1

MSP430F47x MIXED SIGNAL MICROCONTROLLER

SLAS629A - MARCH 2009 - REVISED APRIL 2009

APPLICATION INFORMATION

Port P1 pin schematic: P1.2 input/output with Schmitt trigger



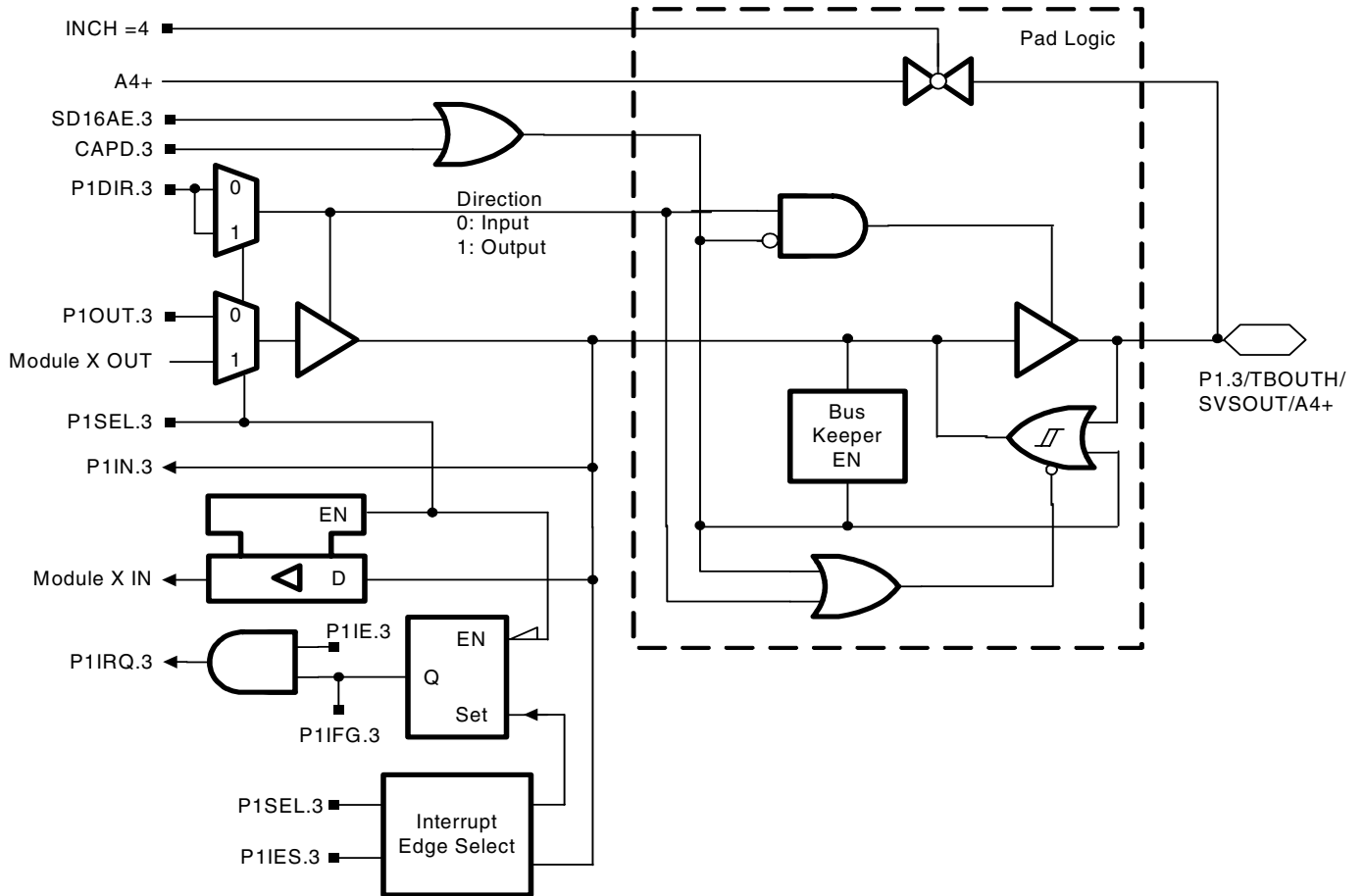
Port P1 (P1.2) pin functions

PIN NAME (P1.X)	X	FUNCTION	CONTROL BITS / SIGNALS			
			CAPD.x	P1DIR.x	P1SEL.x	P1SEL2.x = 0 SD16AE.x
P1.2/TA1/A4-	2	P1.x (I/O)	0	I: 0, O: 1	0	0
		Timer_A3.CCI1A	0	0	1	0
		Timer_A3.TA1	0	1	1	0
		A4-	x	x	x	1

NOTES: 1. x: Don't care

APPLICATION INFORMATION

Port P1 pin schematic: P1.3, input/output with Schmitt trigger



Port P1 (P1.3) pin functions

PIN NAME (P1.X)	X	FUNCTION	CONTROL BITS / SIGNALS			
			CAPD.x	P1DIR.x	P1SEL.x	P1SEL2.x = 0 SD16AE.x
P1.3/TBOUTH/ SVSOUT/A4+	3	P1.x (I/O)	0	I: 0, O: 1	0	0
		TBOUTH	0	0	1	0
		SVSOUT	0	1	1	0
		A4+	x	x	x	1

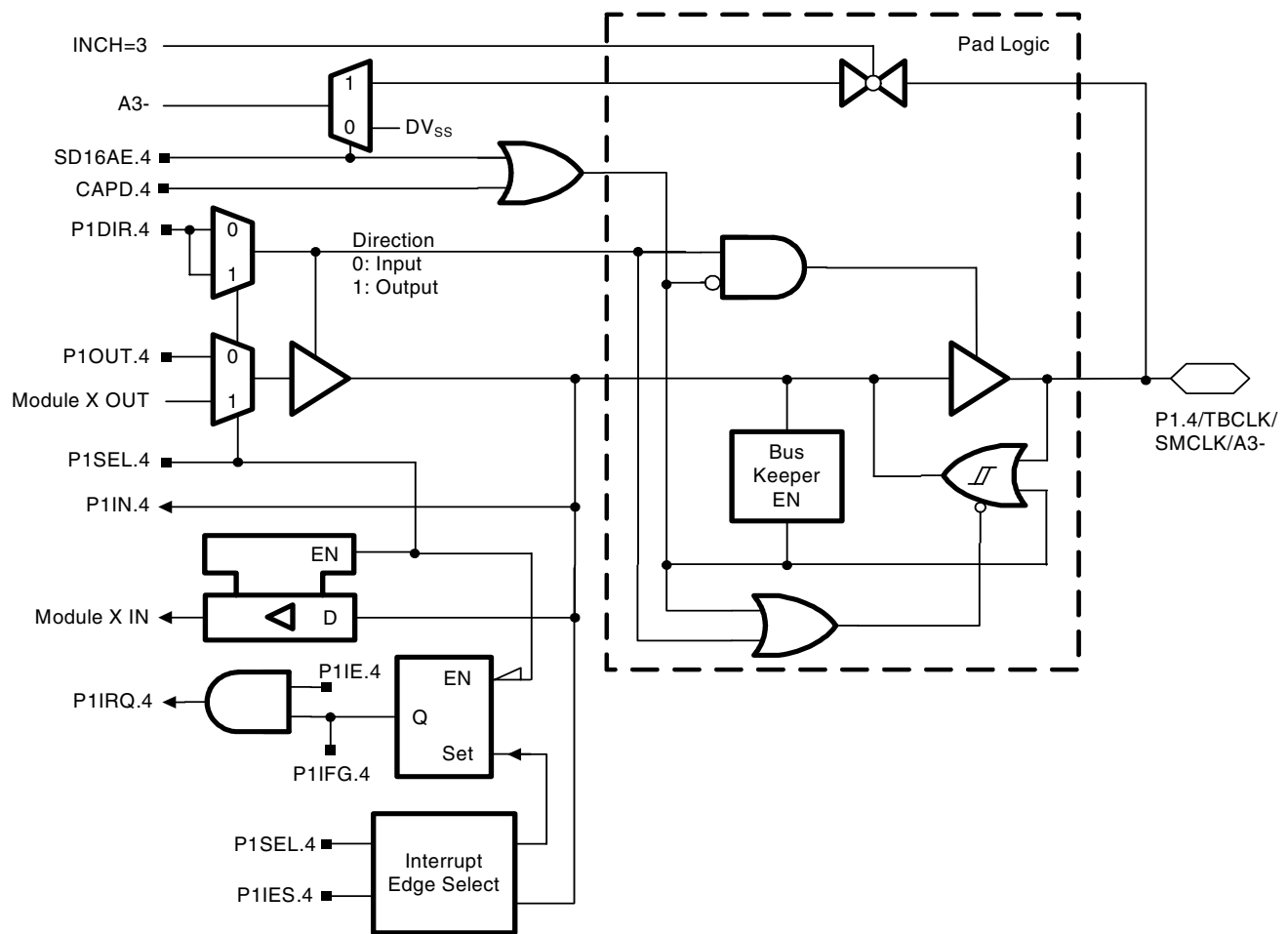
NOTES: 1. x: Don't care

MSP430F47x MIXED SIGNAL MICROCONTROLLER

SLAS629A - MARCH 2009 - REVISED APRIL 2009

APPLICATION INFORMATION

Port P1 pin schematic: P1.4, input/output with Schmitt trigger



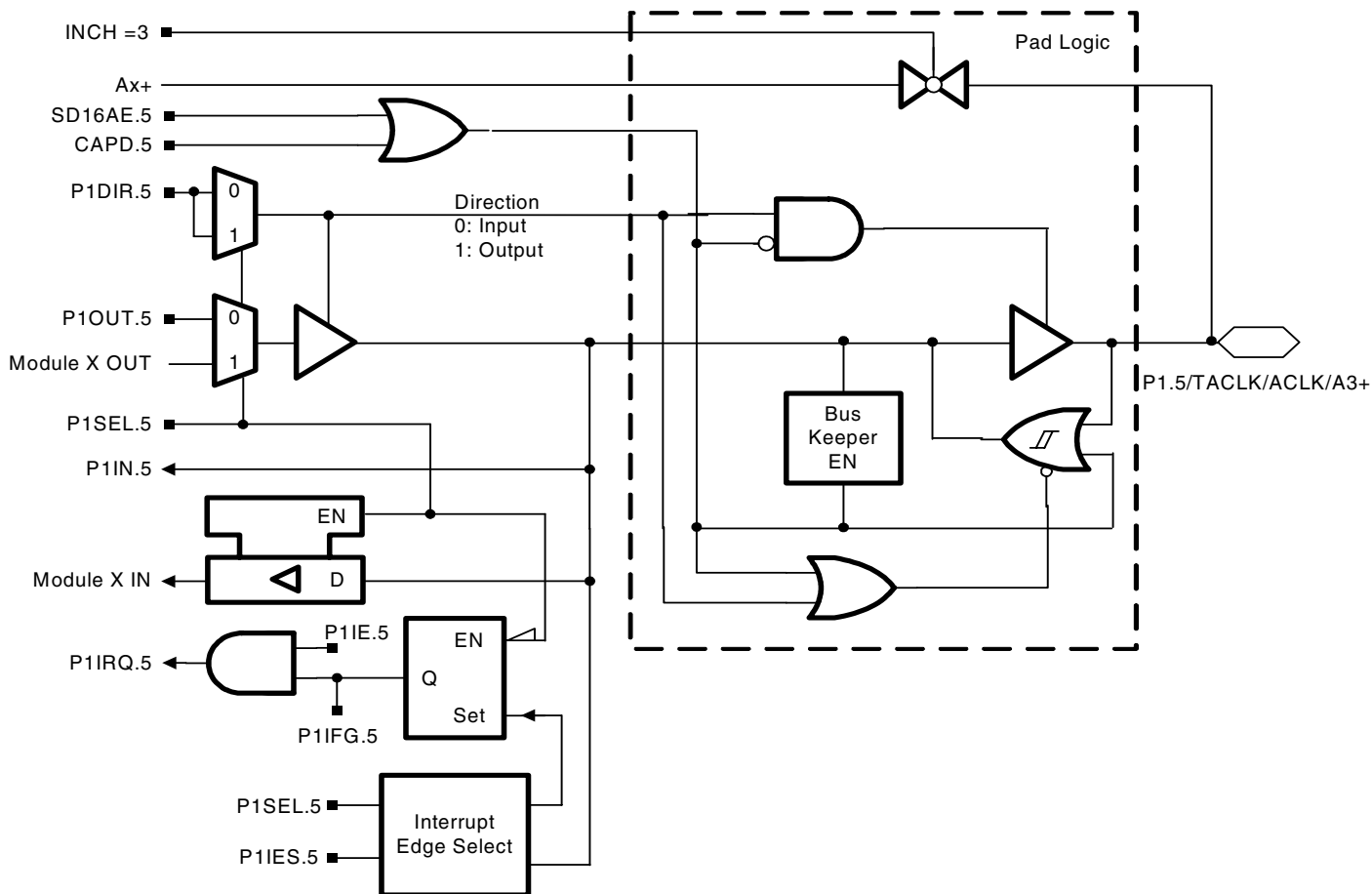
Port P1 (P1.4) pin functions

PIN NAME (P1.X)	X	FUNCTION	CONTROL BITS / SIGNALS			
			CAPD.x	P1DIR.x	P1SEL.x	P1SEL2.x = 0 SD16AE.x
P1.4TBCLK/SMCLK/ A3-	4	P1.x (I/O)		I: 0, O: 1	0	0
		TBCLK		0	1	0
		SMCLK		1	1	0
		A3-		x	x	1

NOTES: 1. x: Don't care

APPLICATION INFORMATION

Port P1 pin schematic: P1.5, input/output with Schmitt trigger



Port P1 (P1.5) pin functions

PIN NAME (P1.X)	X	FUNCTION	CONTROL BITS / SIGNALS			
			CAPD.x	P1DIR.x	P1SEL.x	P1SEL2.x = 0 SD16AE.x
P1.5/TACLK/ACLK/ A3+	5	P1.x (I/O)	0	I: 0, O: 1	0	0
		TACLK	0	0	1	0
		ACLK	0	1	1	0
		A3+	x	x	x	1

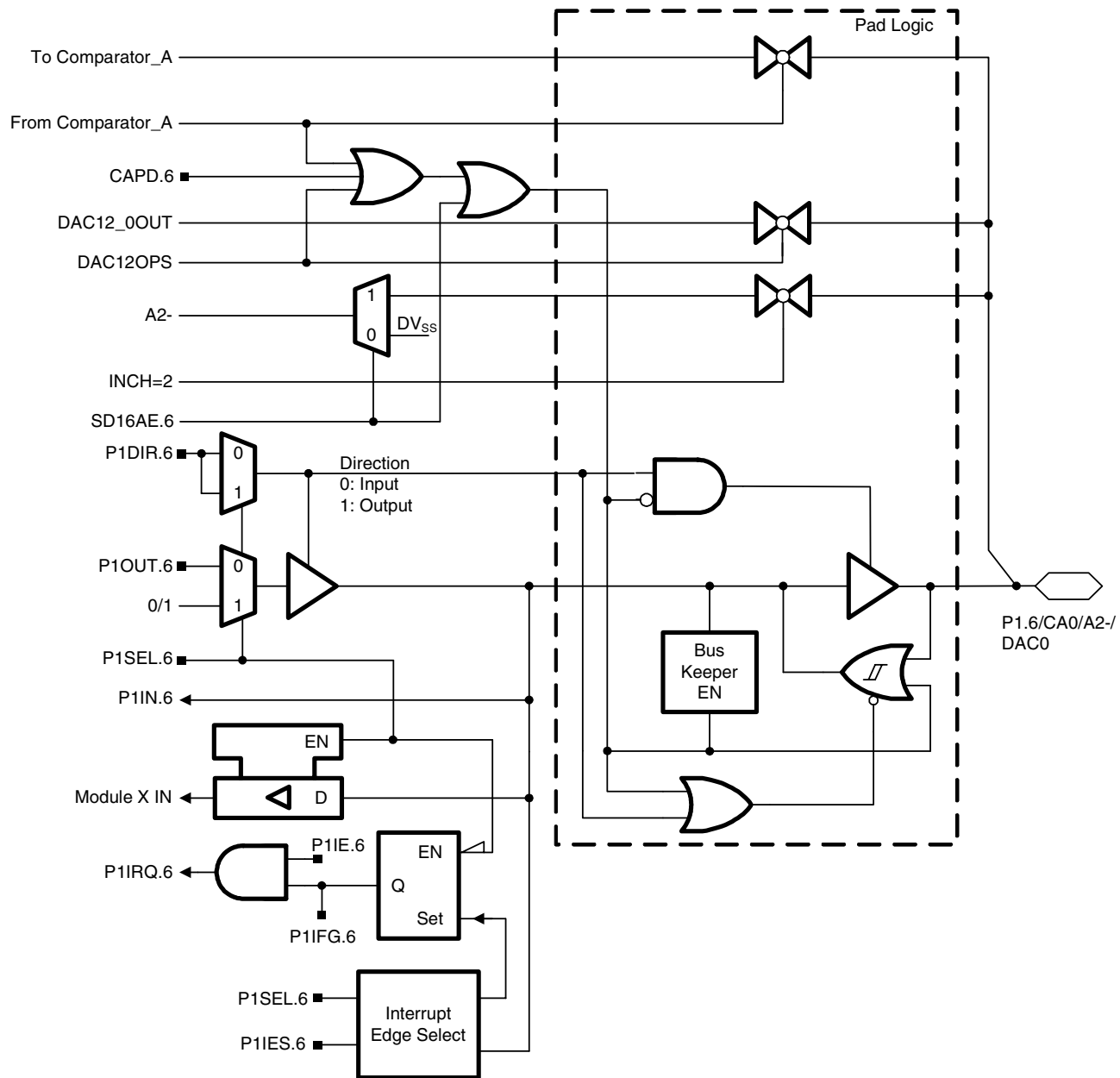
NOTES: 1. x: Don't care

MSP430F47x MIXED SIGNAL MICROCONTROLLER

SLAS629A - MARCH 2009 - REVISED APRIL 2009

APPLICATION INFORMATION

Port P1 pin schematic: P1.6, input/output with Schmitt trigger



MSP430F47x MIXED SIGNAL MICROCONTROLLER

SLAS629A - MARCH 2009 - REVISED APRIL 2009

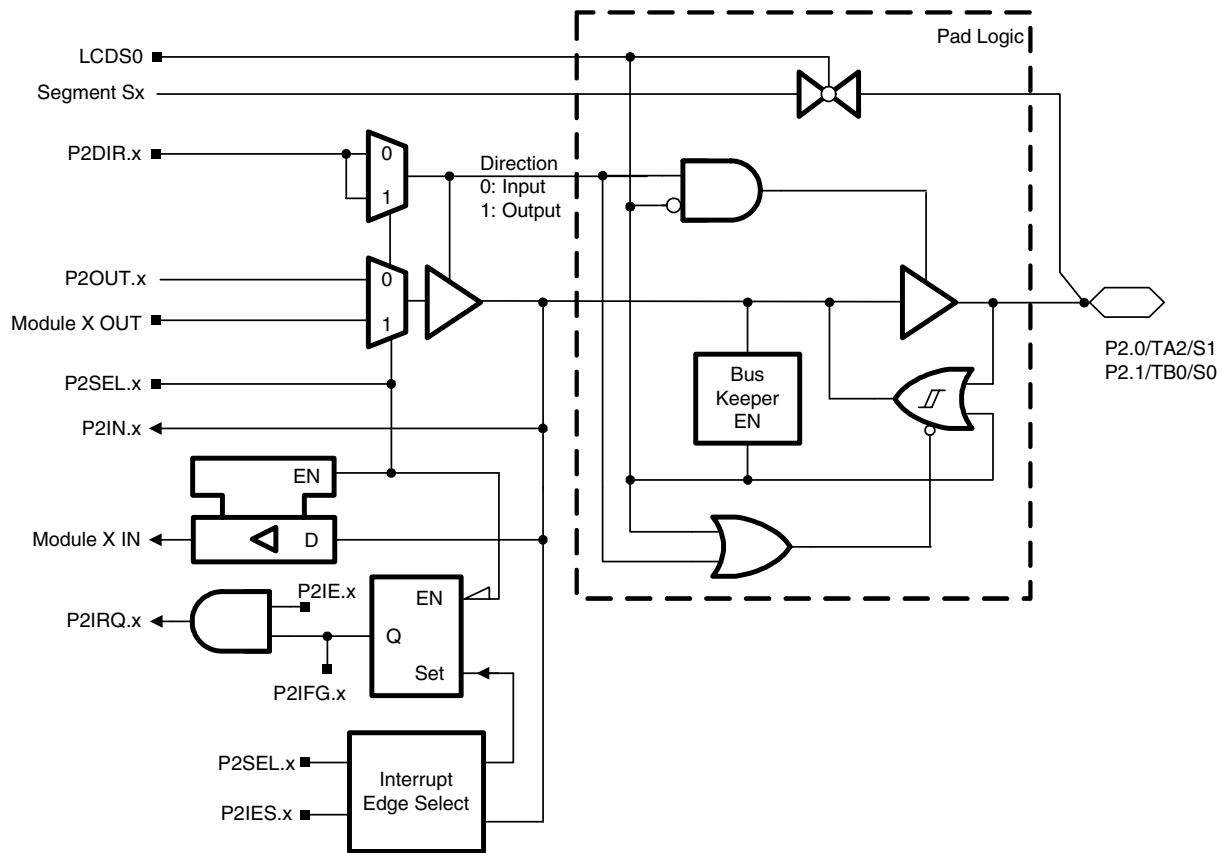
Port P1 (P1.6) pin functions

PIN NAME (P1.X)	X	FUNCTION	CONTROL BITS / SIGNALS				
			P1DIR.x	P1SEL.x	P1SEL2.x = 0 CAPD.x	P1SEL2.x = 0 SD16AE.x	P1SEL2.x = 0 DAC12OPS (DAC12_0)
P1.6/CA0/A2-/DAC0	6	P1.x (I/O)	I: 0, O: 1	0	0	0	0
		CA0	x	x	1 or selected	x	x
		A2-	x	x	x	1	x
		DAC0	x	x	x	x	1

NOTES: 1. x: Don't care

APPLICATION INFORMATION

Port P2 pin schematic: P2.0 to P2.1, input/output with Schmitt trigger



Port P2 (P2.0 to P2.1) pin functions

PIN NAME (P2.X)	X	FUNCTION	CONTROL BITS / SIGNALS		
			P2DIR.x	P2SEL.x	LCDS0
P2.0/TA2/S1	0	P2.x (I/O)	I: 0, O: 1	0	0
		Timer_A3.CCI2A	0	1	0
		Timer_A3.TA2	1	1	0
		S1	x	x	1
P2.1/TB0/S0	1	P2.x (I/O)	I: 0, O: 1	0	0
		Timer_B3.CCI0A	0	1	0
		Timer_B3.TB0	1	1	0
		S0	x	x	1

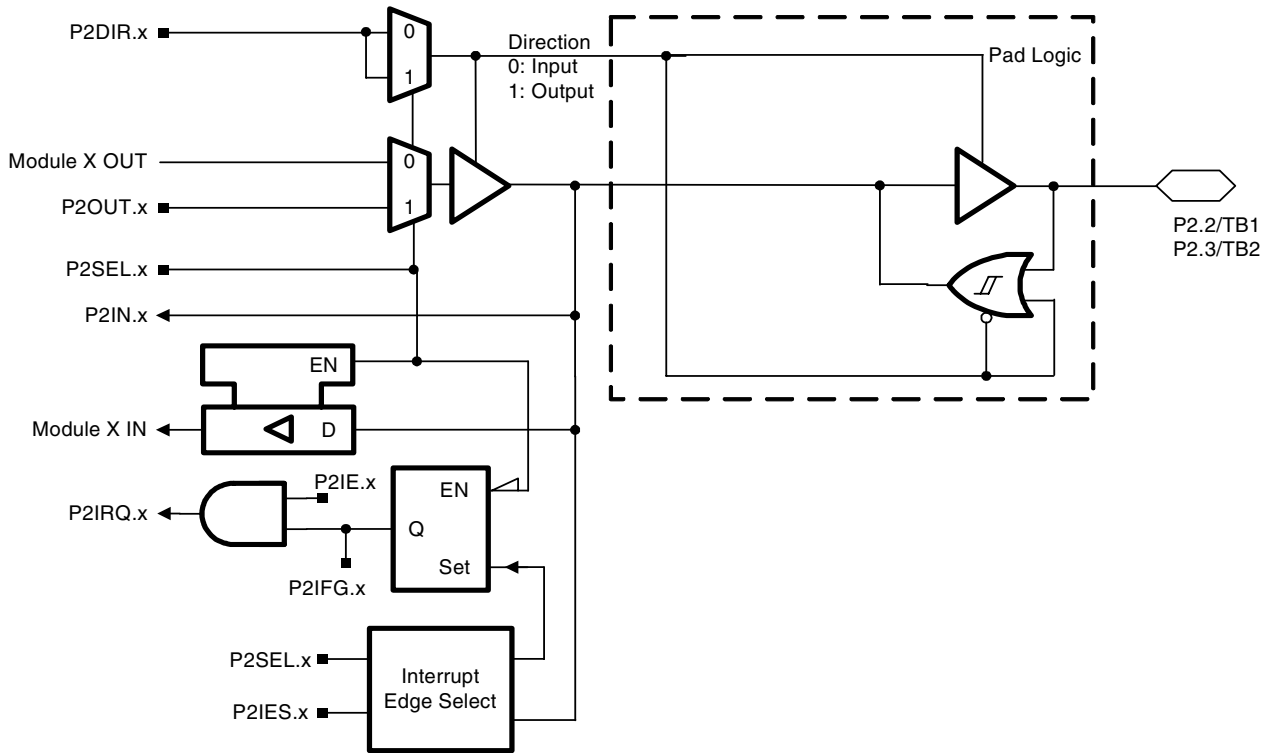
NOTES: 1. x: Don't care

MSP430F47x MIXED SIGNAL MICROCONTROLLER

SLAS629A - MARCH 2009 - REVISED APRIL 2009

APPLICATION INFORMATION

Port P2 pin schematic: P2.2 to P2.3, input/output with Schmitt trigger

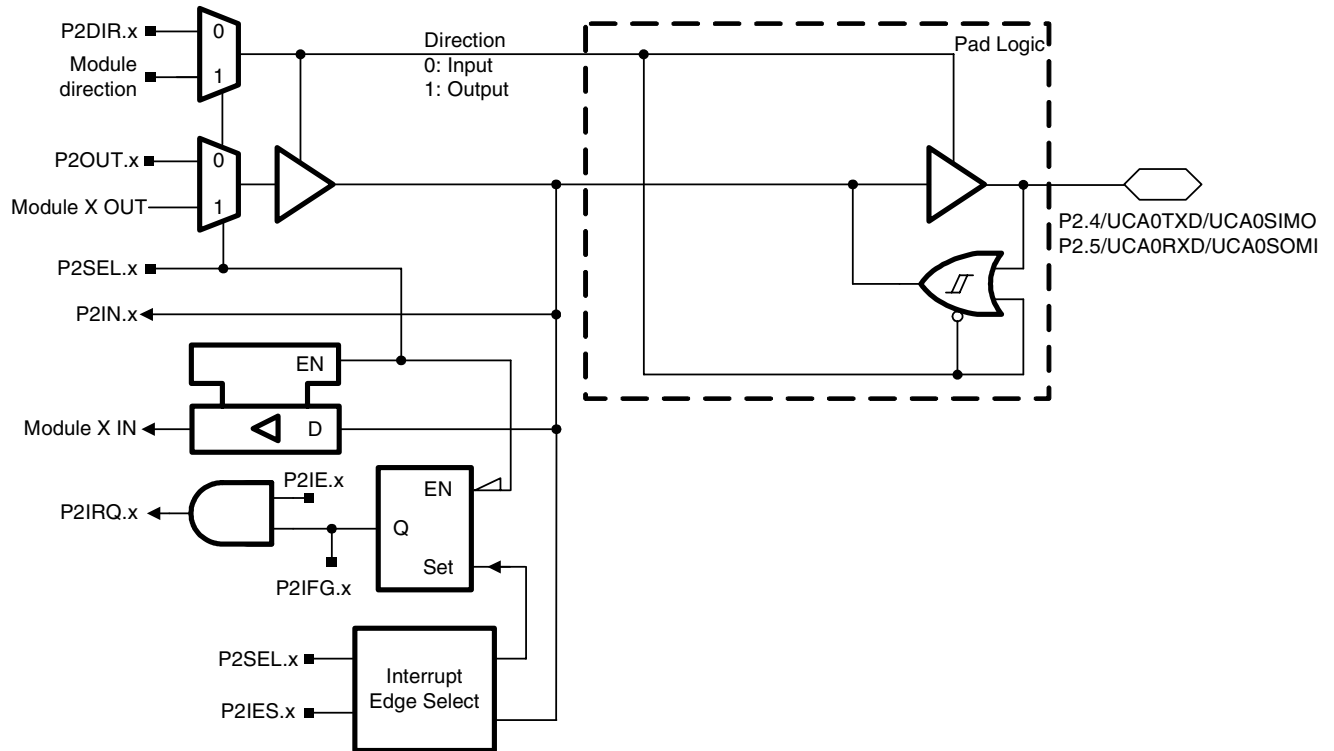


Port P2 (P2.2 to P2.3) pin functions

PIN NAME (P2.X)	X	FUNCTION	CONTROL BITS / SIGNALS	
			P2DIR.x	P2SEL.x
P2.2/TB1	2	P2.x (I/O)	I: 0, O: 1	0
		Timer_B3.CCI1A	0	1
		Timer_B3.TB1	1	1
P2.3/TB2	3	P2.x (I/O)	I: 0, O: 1	0
		Timer_B3.CCI2A	0	1
		Timer_B3.TB2	1	1

APPLICATION INFORMATION

Port P2 pin schematic: P2.4 and P2.5, input/output with Schmitt trigger



Port P2 (P2.4 and P2.5) pin functions

PIN NAME (P2.X)	X	FUNCTION	CONTROL BITS / SIGNALS	
			P2DIR.x	P2SEL.x
P2.4/UCA0TXD/ UCA0SIMO	4	P2.x (I/O)	I: 0, O: 1	0
		UCA0TXD/UCA0SIMO (see Notes 2)	x	1
P2.5/UCA0RXD/ UCA0SOMI	5	P2.x (I/O)	I: 0, O: 1	0
		UCA0RXD/UCA0SOMI (see Notes 2)	x	1

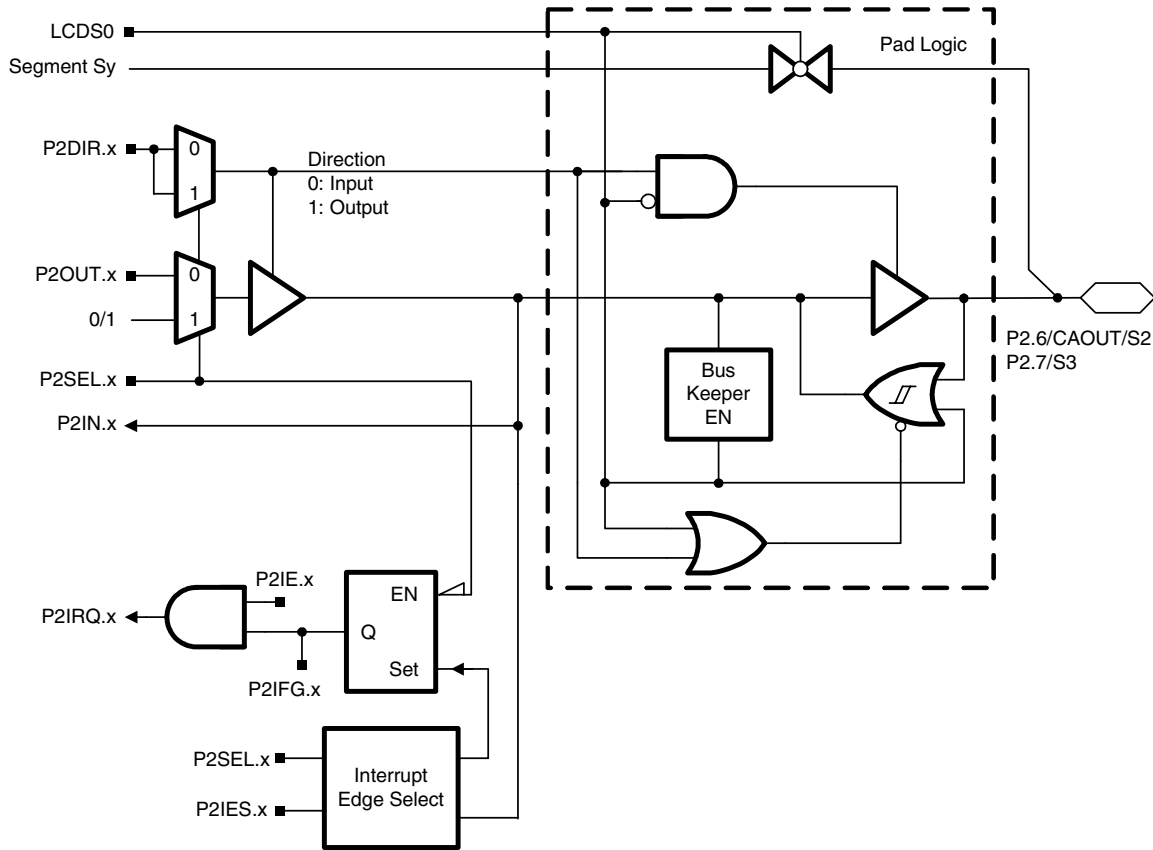
NOTES: 1. x: Don't care
2. The pin direction is controlled by the USCI module.

MSP430F47x MIXED SIGNAL MICROCONTROLLER

SLAS629A - MARCH 2009 - REVISED APRIL 2009

APPLICATION INFORMATION

Port P2 pin schematic: P2.6 and P2.7, input/output with Schmitt trigger



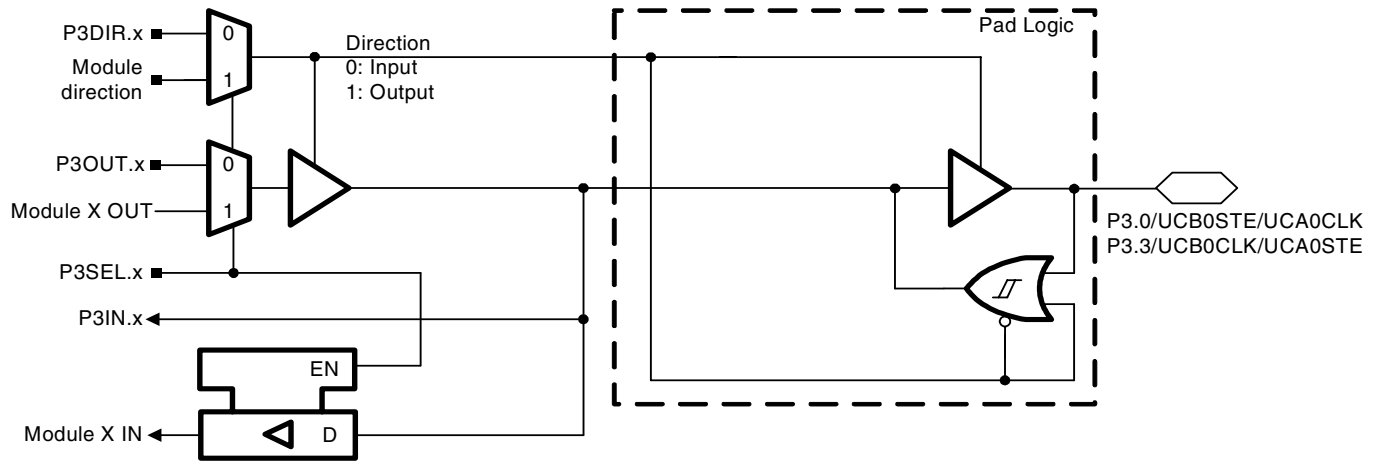
Port P2 (P2.6 and P2.7) pin functions

PIN NAME (P2.X)	X	FUNCTION	CONTROL BITS / SIGNALS		
			P2DIR.x	P2SEL.x	LCDS0
P2.6/CAOUT/S2	6	P2.x (I/O)	I: 0, O: 1	0	0
		CAOUT	1	1	0
		S2	x	x	1
P2.7/S3	7	P2.x (I/O)	I: 0, O: 1	0	0
		V _{ss}	1	1	0
		S3	x	x	1

NOTES: 1. x: Don't care

APPLICATION INFORMATION

Port P3 pin schematic: P3.0 and P3.3, input/output with Schmitt trigger



Port P3 (P3.0 and P3.3) pin functions

PIN NAME (P3.X)	X	FUNCTION	CONTROL BITS / SIGNALS	
			P3DIR.x	P3SEL.x
P3.0/UCB0STE/ UCA0CLK	0	P3.x (I/O)	I: 0, O: 1	0
		UCB0STE/UCA0CLK (see Note 2)	x	1
P3.3/UCB0CLK/ UCA0STE	3	P3.x (I/O)	I: 0, O: 1	0
		UCB0CLK/UCA0STE (see Note 2)	x	1

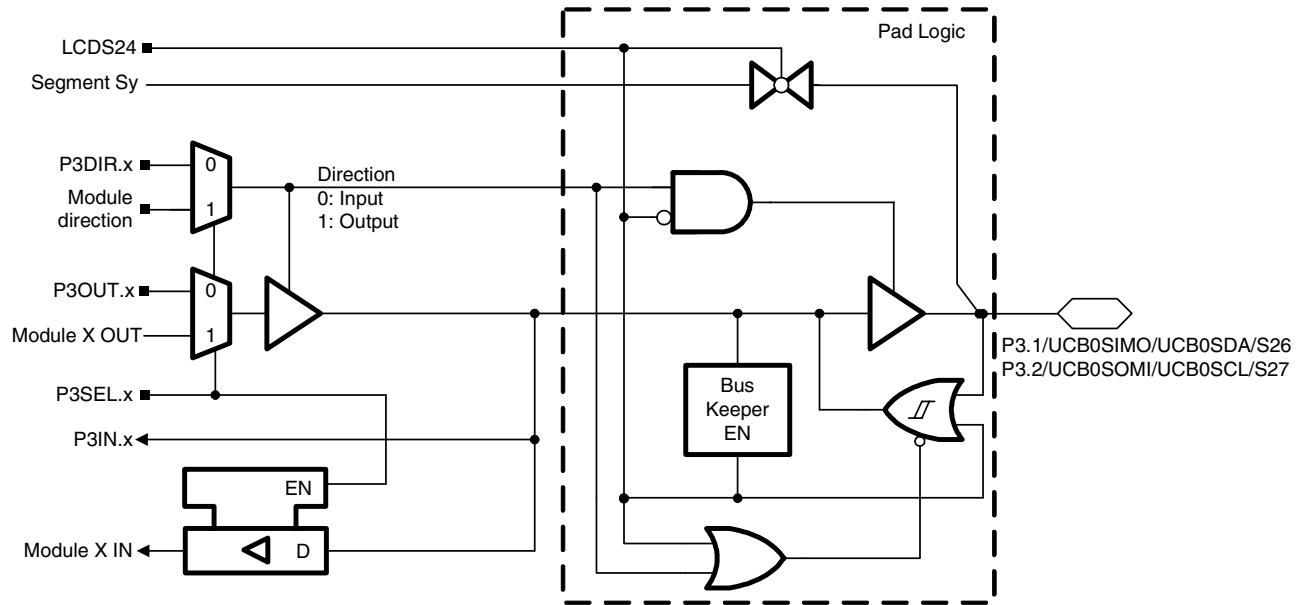
NOTES: 1. x: Don't care
2. The pin direction is controlled by the USCI module.

MSP430F47x MIXED SIGNAL MICROCONTROLLER

SLAS629A - MARCH 2009 - REVISED APRIL 2009

APPLICATION INFORMATION

Port P3 pin schematic: P3.1 and P3.2, input/output with Schmitt trigger



Port P3 (P3.1 and P3.2) pin functions

PIN NAME (P3.X)	X	FUNCTION	CONTROL BITS / SIGNALS		
			P3DIR.x	P3SEL.x	LCDS24
P3.1/UCB0SIMO/ UCB0SDA/S26	1	P3.x (I/O)	I: 0, O: 1	0	0
		UCB0SIMO/UCB0SDA (see Notes 2 and 3)	x	1	0
		S26	x	x	1
P3.2/UCB0SOMI/ UCB0SCL/S27	2	P3.x (I/O)	I: 0, O: 1	0	0
		UCB0SOMI/UCB0SCL (see Notes 2 and 3)	x	1	0
		S27	x	x	1

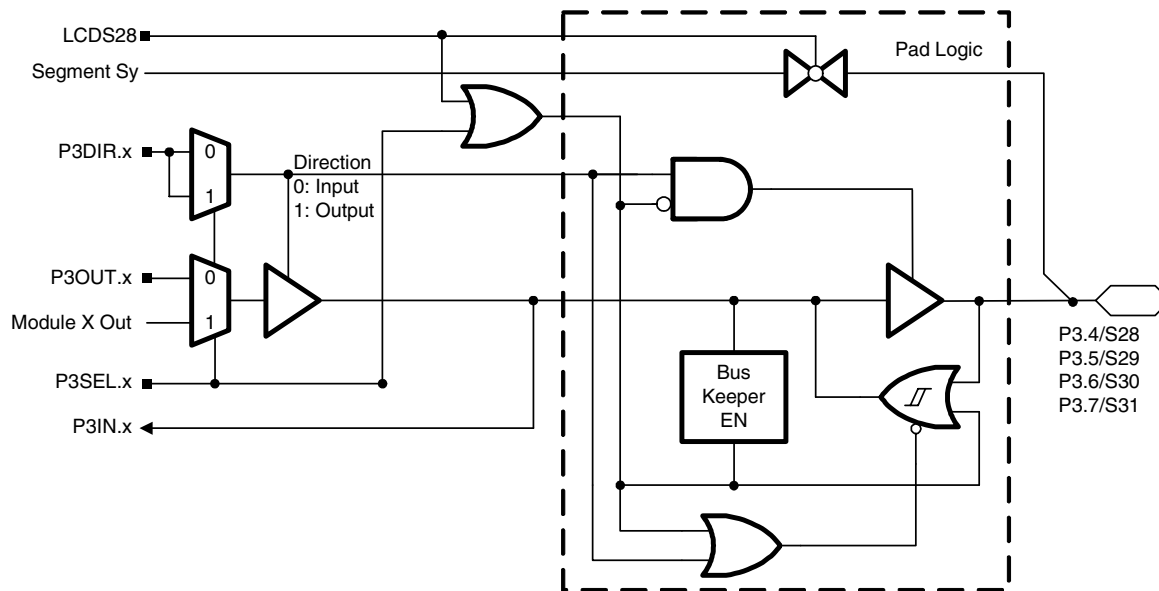
NOTES: 1. x: Don't care

2. The pin direction is controlled by the USCI module.

3. In case the I2C functionality is selected the output drives only the logical 0 to V_{SS} level.

APPLICATION INFORMATION

Port P3 pin schematic: P3.4 to P3.7, input/output with Schmitt trigger



Port P3 (P3.4 to P3.7) pin functions

PIN NAME (P3.X)	X	FUNCTION	CONTROL BITS / SIGNALS		
			P3DIR.x	P3SEL.x	LCDS28
P3.4/S28	4	P3.x (I/O)	I: 0, O: 1	0	0
		S28	x	x	1
P3.5/S29	5	P3.x (I/O)	I: 0, O: 1	0	0
		S29	x	x	1
P3.6/S30	6	P3.x (I/O)	I: 0, O: 1	0	0
		S30	x	x	1
P3.7/S31	7	P3.x (I/O)	I: 0, O: 1	0	0
		S31	x	x	1

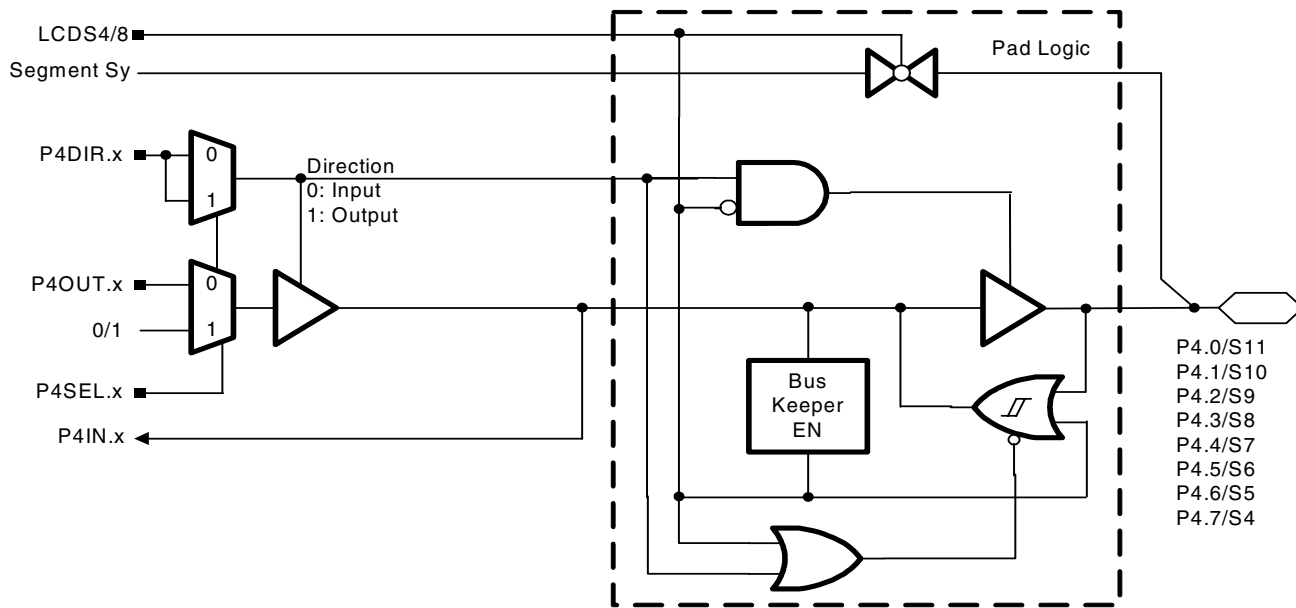
NOTES: 1. x: Don't care

MSP430F47x MIXED SIGNAL MICROCONTROLLER

SLAS629A - MARCH 2009 - REVISED APRIL 2009

APPLICATION INFORMATION

Port P4 pin schematic: P4.0 to P4.7, input/output with Schmitt trigger



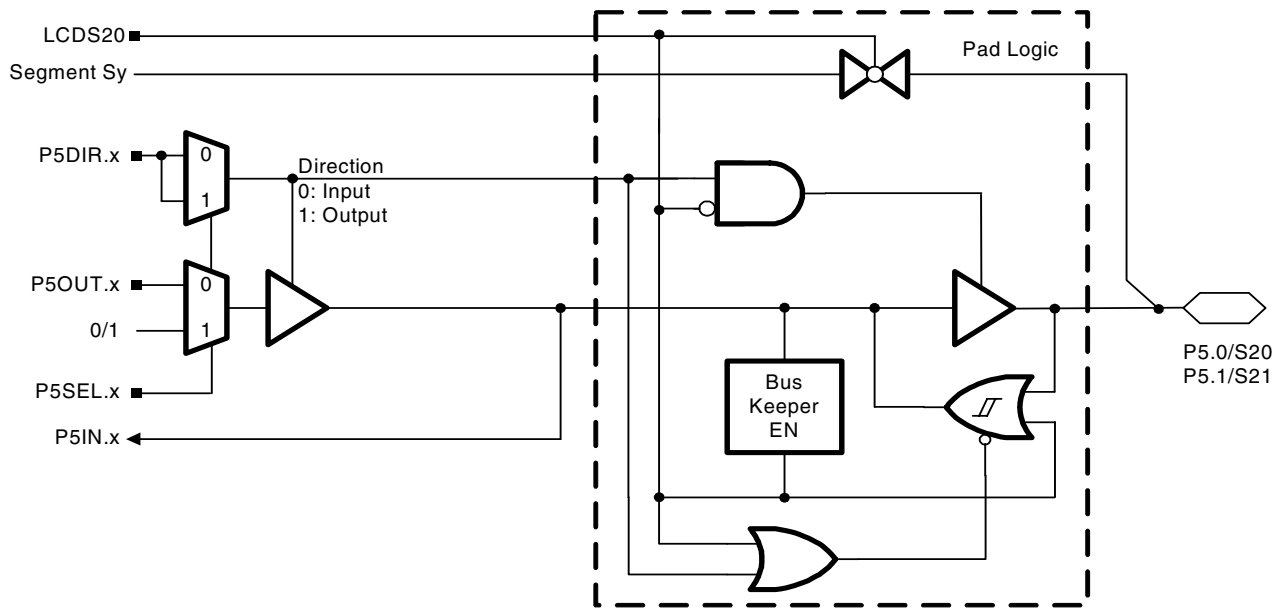
Port P4 (P4.0 and P4.7) pin functions

PIN NAME (P4.X)	X	FUNCTION	CONTROL BITS / SIGNALS		
			P4DIR.x	P4SEL.x	LCDS4/8
P4.0/S11	0	P4.x (I/O)	I: 0, O: 1	0	0 (LCDS8)
		S11	x	x	1 (LCDS8)
P4.1/S10	1	P4.x (I/O)	I: 0, O: 1	0	0 (LCDS8)
		S10	x	x	1 (LCDS8)
P4.2/S9	2	P4.x (I/O)	I: 0, O: 1	0	0 (LCDS8)
		S9	x	x	1 (LCDS8)
P4.3/S8	3	P4.x (I/O)	I: 0, O: 1	0	0 (LCDS8)
		S8	x	x	1 (LCDS8)
P4.4/S7	4	P4.x (I/O)	I: 0, O: 1	0	0 (LCDS4)
		S7	x	x	1 (LCDS4)
P4.5/S6	5	P4.x (I/O)	I: 0, O: 1	0	0 (LCDS4)
		S6	x	x	1 (LCDS4)
P4.6/S5	6	P4.x (I/O)	I: 0, O: 1	0	0 (LCDS4)
		S5	x	x	1 (LCDS4)
P4.7/S4	7	P4.x (I/O)	I: 0, O: 1	0	0 (LCDS4)
		S4	x	x	1 (LCDS4)

NOTES: 1. x: Don't care

APPLICATION INFORMATION

Port P5 pin schematic: P5.0 and P5.1, input/output with Schmitt trigger



Port P5 (P5.0 and P5.1) pin functions

PIN NAME (P5.X)	X	FUNCTION	CONTROL BITS / SIGNALS		
			P5DIR.x	P5SEL.x	LCDS20
P5.0/S20	0	P5.x (I/O)	I: 0, O: 1	0	0
		S20	x	x	1
P5.1/S21	1	P5.x (I/O)	I: 0, O: 1	0	0
		S21	x	x	1

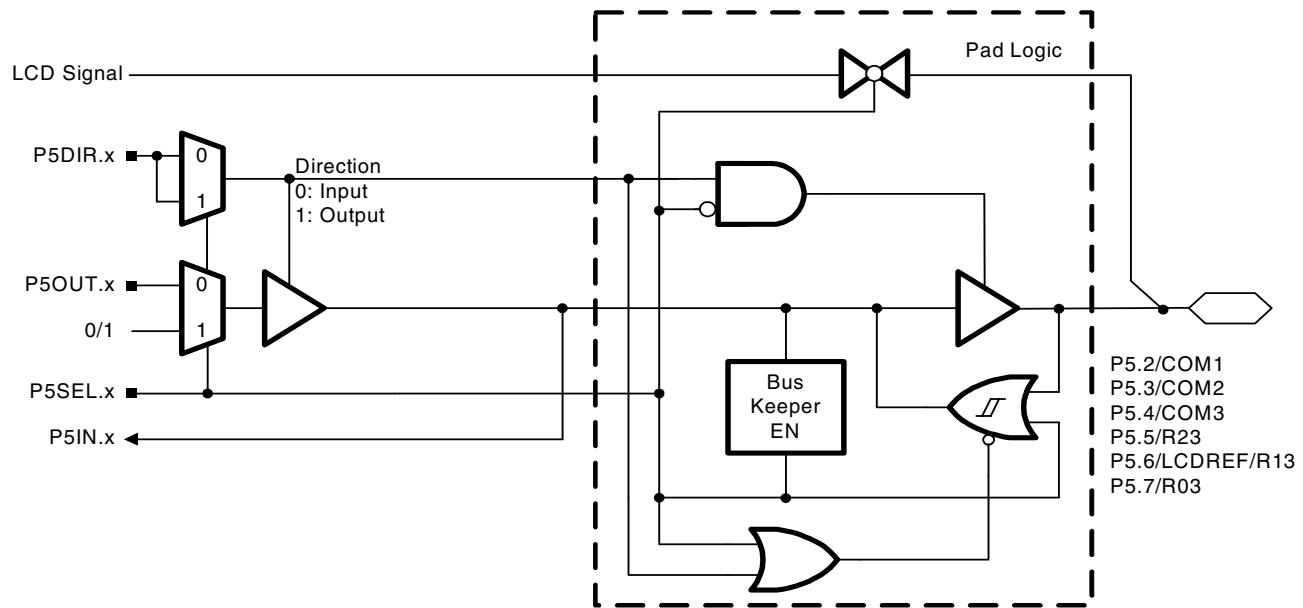
NOTES: 1. x: Don't care

MSP430F47x MIXED SIGNAL MICROCONTROLLER

SLAS629A - MARCH 2009 - REVISED APRIL 2009

APPLICATION INFORMATION

Port P5 pin schematic: P5.2 to P5.7, input/output with Schmitt trigger



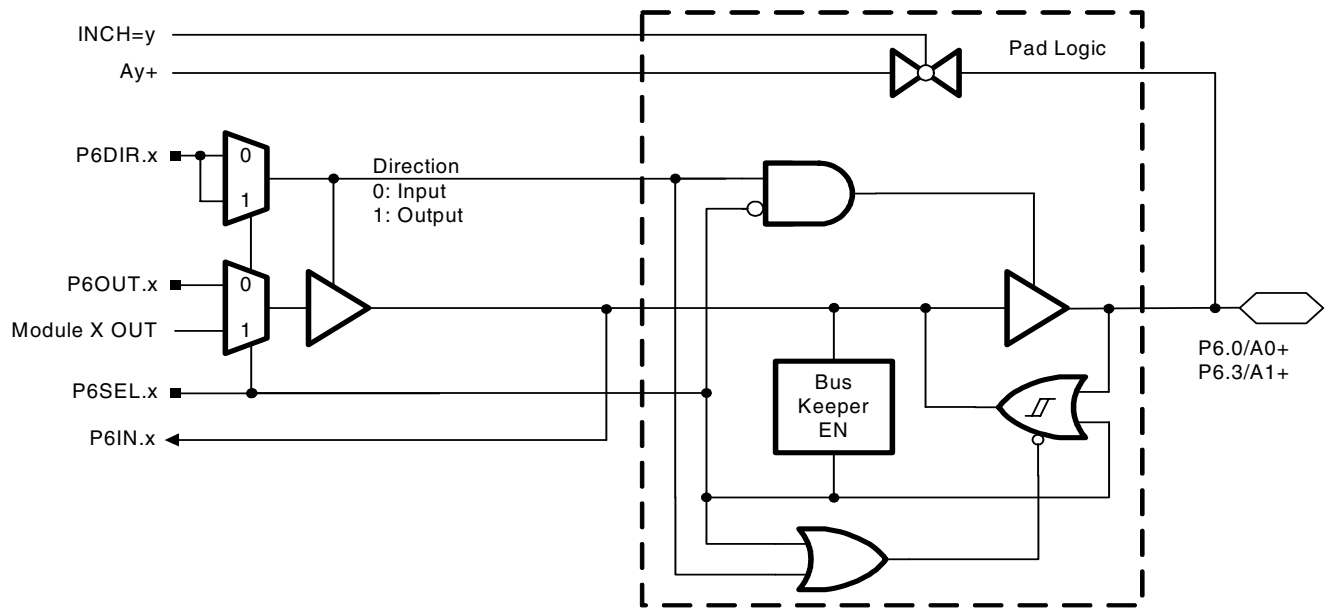
Port P5 (P5.2 to P5.7) pin functions

PIN NAME (P5.X)	X	FUNCTION	CONTROL BITS / SIGNALS	
			P5DIR.x	P5SEL.x
P5.2/COM1	2	P5.x (I/O)	I: 0, O: 1	0
		COM1	x	1
P5.3/COM2	3	P5.x (I/O)	I: 0, O: 1	0
		COM2	x	1
P5.4/COM3	4	P5.x (I/O)	I: 0, O: 1	0
		COM3	x	1
P5.5/R23	5	P5.x (I/O)	I: 0, O: 1	0
		R23	x	1
P5.6/LCDREF/R13	6	P5.x (I/O)	I: 0, O: 1	0
		R13 or LCDREF	x	1
P5.7/R03	7	P5.x (I/O)	I: 0, O: 1	0
		R03	x	1

NOTES: 1. x: Don't care

APPLICATION INFORMATION

Port P6 pin schematic: P6.0 and P6.3, input/output with Schmitt trigger



Port P6 (P6.0 and P6.3) pin functions

PIN NAME (P6.X)	X	FUNCTION	CONTROL BITS / SIGNALS	
			P6DIR.x	P6SEL.x
P6.0/A0+	0	P6.x (I/O)	I: 0, O: 1	0
		A0+	x	1
P6.3/A1+	3	P6.x (I/O)	I: 0, O: 1	0
		A1+	x	1

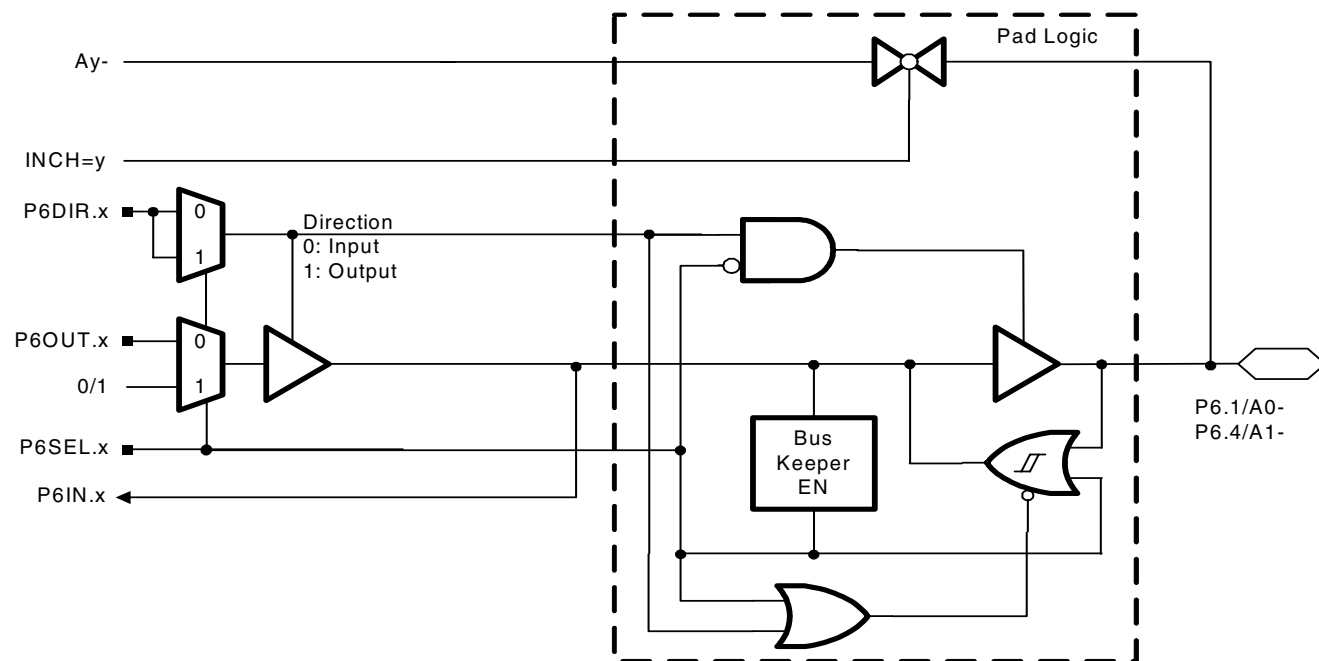
NOTES: 1. x: Don't care

MSP430F47x MIXED SIGNAL MICROCONTROLLER

SLAS629A - MARCH 2009 - REVISED APRIL 2009

APPLICATION INFORMATION

Port P6 pin schematic: P6.1 and P6.4, input/output with Schmitt trigger



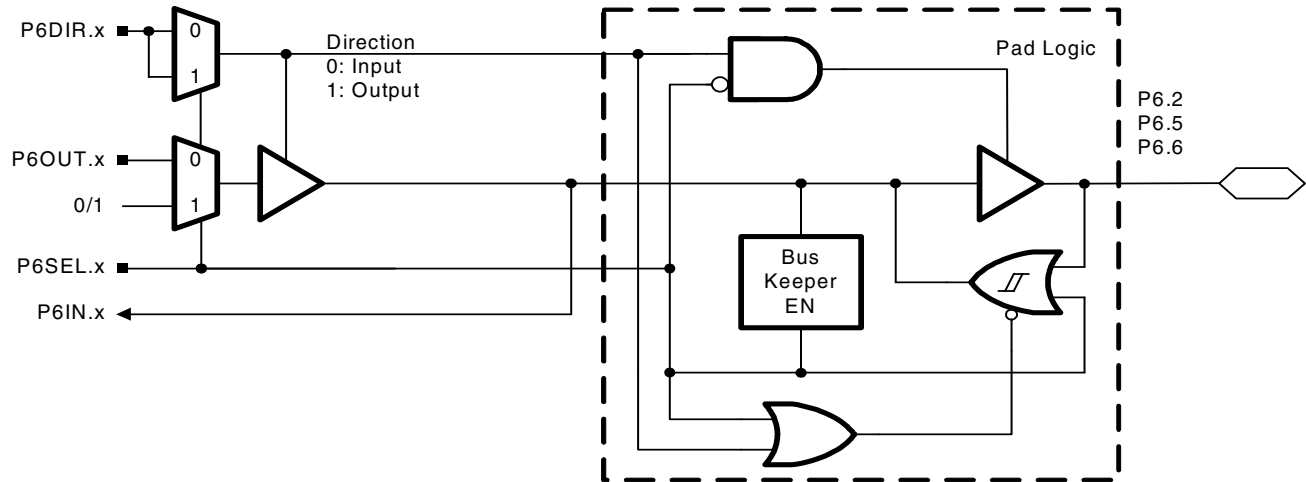
Port P6 (P6.1 and P6.4) pin functions

PIN NAME (P6.X)	X	FUNCTION	CONTROL BITS / SIGNALS	
			P6DIR.x	P6SEL.x
P6.1/A0-	1	P6.x (I/O)	I: 0, O: 1	0
		A0-	x	1
P6.4/A1-	4	P6.x (I/O)	I: 0, O: 1	0
		A1-	x	1

NOTES: 1. x: Don't care

APPLICATION INFORMATION

Port P6 pin schematic: P6.2, P6.5 and P6.6, input/output with Schmitt trigger



Port P6 (P6.2, P6.5 and P6.6) pin functions

PIN NAME (P6.X)	X	FUNCTION	CONTROL BITS / SIGNALS	
			P6DIR.x	P6SEL.x
P6.2	2	P6.x (I/O)	I: 0, O: 1	0
P6.5	5	P6.x (I/O)	I: 0, O: 1	0
P6.6	6	P6.x (I/O)	I: 0, O: 1	0

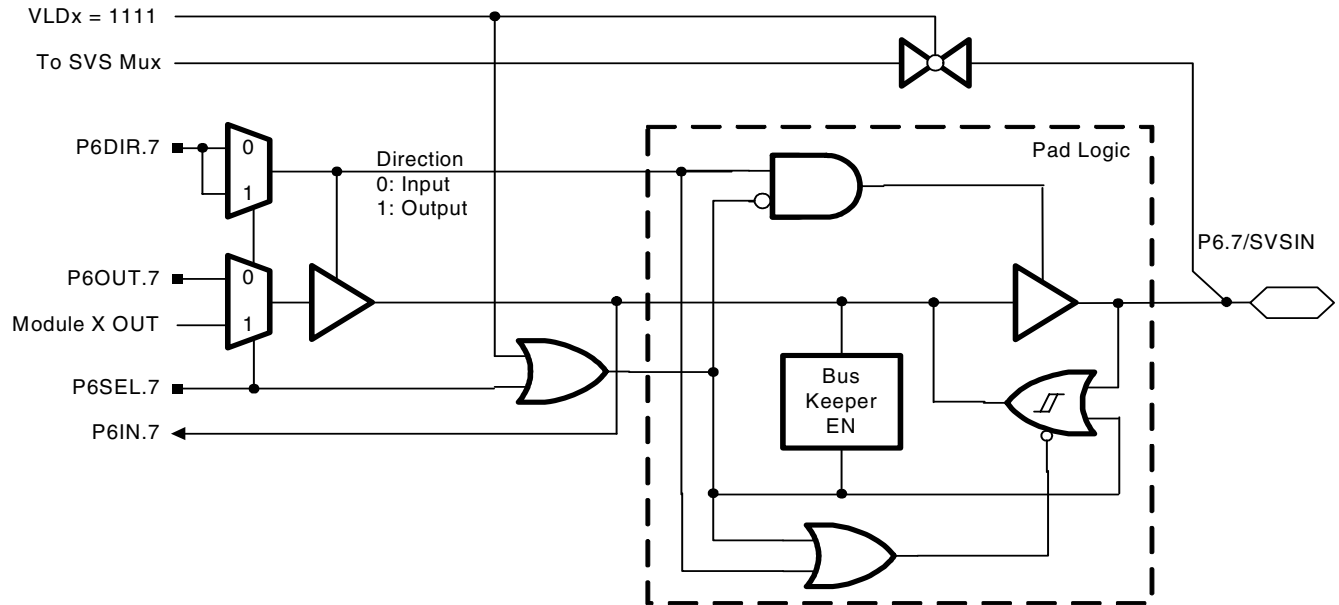
NOTES: 1. x: Don't care

MSP430F47x MIXED SIGNAL MICROCONTROLLER

SLAS629A - MARCH 2009 - REVISED APRIL 2009

APPLICATION INFORMATION

Port P6 pin schematic: P6.7, input/output with Schmitt trigger



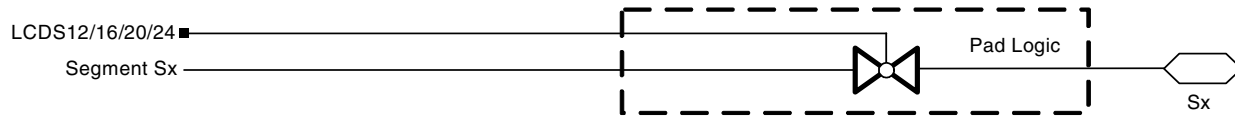
Port P6 (P6.7) pin functions

PIN NAME (P6.X)	X	FUNCTION	CONTROL BITS / SIGNALS		
			P6DIR.x	P6SEL.x	VLDx
P6.7/SVSIN	7	P6.x (I/O)	I: 0, O: 1	0	x
		SVSIN	x	1	1111

NOTES: 1. x: Don't care

APPLICATION INFORMATION

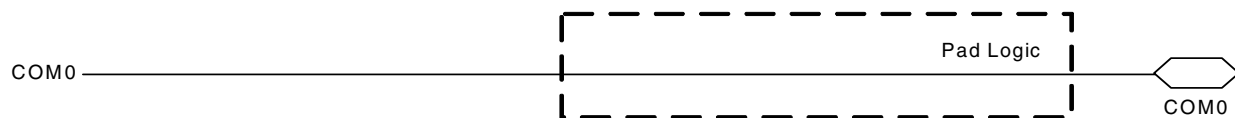
Segment pin schematic: Sx, dedicated Segment Pins



Sx pin functions

PIN NAME	X	FUNCTION	CONTROL BITS / SIGNALS
			LCDSy
Sx	12	Sx	1 (LCDS12)
		3-state	0 (LCDS12)
Sx	13	Sx	1 (LCDS12)
		3-state	0 (LCDS12)
Sx	14	Sx	1 (LCDS12)
		3-state	0 (LCDS12)
Sx	15	Sx	1 (LCDS12)
		3-state	0 (LCDS12)
Sx	16	Sx	1 (LCD16)
		3-state	0 (LCD16)
Sx	17	Sx	1 (LCD16)
		3-state	0 (LCD16)
Sx	18	Sx	1 (LCD16)
		3-state	0 (LCD16)
Sx	19	Sx	1 (LCDS16)
		3-state	0 (LCDS16)
Sx	22	Sx	1 (LCDS20)
		3-state	0 (LCDS20)
Sx	23	Sx	1 (LCDS20)
		3-state	0 (LCDS20)
Sx	24	Sx	1 (LCDS24)
		3-state	0 (LCDS24)
Sx	25	Sx	1 (LCDS24)
		3-state	0 (LCDS24)

Segment pin schematic: COM0, dedicated COM0 pin



Sx pin functions

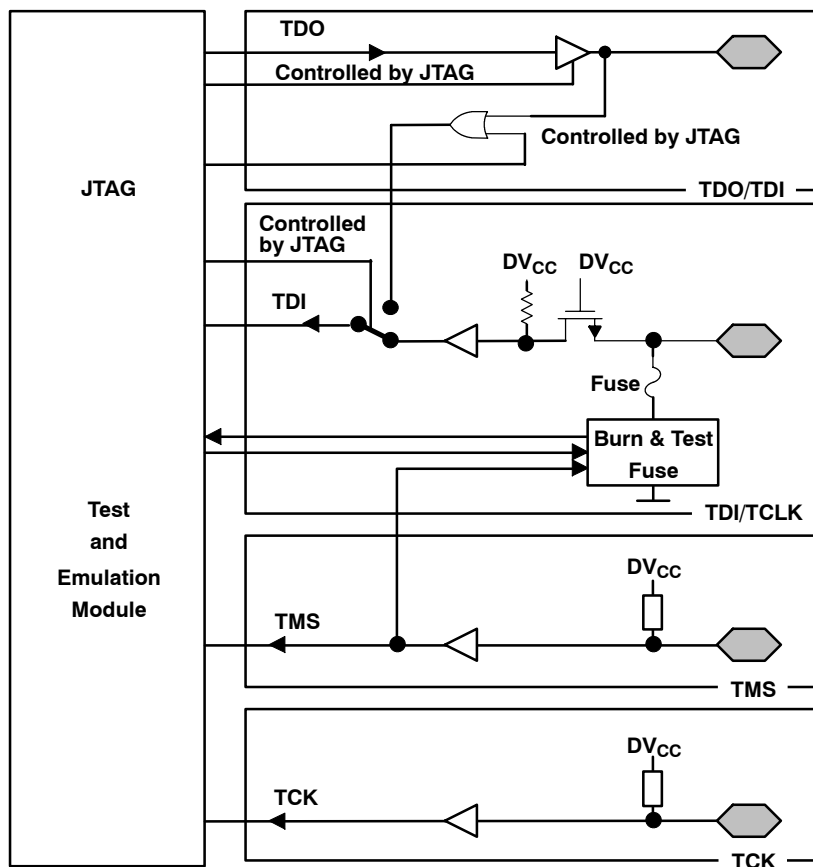
PIN NAME	X	FUNCTION
COM0	-	COM0

MSP430F47x MIXED SIGNAL MICROCONTROLLER

SLAS629A - MARCH 2009 - REVISED APRIL 2009

APPLICATION INFORMATION

JTAG pins: TMS, TCK, TDI/TCLK, TDO/TDI, input/output with Schmitt trigger



During Programming Activity and During Blowing of the Fuse, Pin TDO/TDI is Used to Apply the Test Input Data for JTAG Circuitry

JTAG fuse check mode

For details on the JTAG fuse check mode, see the *MSP430 Memory Programming User's Guide (SLAU265)* chapter "Fuse Check and Reset of the JTAG State Machine (TAP Controller)".

Data Sheet Revision History

LITERATURE NUMBER	SUMMARY
SLAS629A	Production Data release
SLAS629	Product Preview release

PACKAGING INFORMATION

Orderable Device	Status (1)	Package Type	Package Drawing	Pins	Package Qty	Eco Plan (2)	Lead/Ball Finish (6)	MSL Peak Temp (3)	Op Temp (°C)	Device Marking (4/5)	Samples
MSP430F477IPN	ACTIVE	LQFP	PN	80	119	Green (RoHS & no Sb/Br)	CU NIPDAU	Level-3-260C-168 HR	-40 to 85	M430F477	Samples
MSP430F477IPNR	ACTIVE	LQFP	PN	80	1000	Green (RoHS & no Sb/Br)	CU NIPDAU	Level-3-260C-168 HR	-40 to 85	M430F477	Samples
MSP430F477IZQW	OBSOLETE	BGA MICROSTAR JUNIOR	ZQW	113		TBD	Call TI	Call TI	-40 to 85	M430F477	
MSP430F477IZQWR	OBSOLETE	BGA MICROSTAR JUNIOR	ZQW	113		TBD	Call TI	Call TI	-40 to 85	M430F477	
MSP430F478IPN	ACTIVE	LQFP	PN	80	119	Green (RoHS & no Sb/Br)	CU NIPDAU	Level-3-260C-168 HR	-40 to 85	M430F478	Samples
MSP430F478IPNR	ACTIVE	LQFP	PN	80	1000	Green (RoHS & no Sb/Br)	CU NIPDAU	Level-3-260C-168 HR	-40 to 85	M430F478	Samples
MSP430F478IZQW	ACTIVE	BGA MICROSTAR JUNIOR	ZQW	113	250	Green (RoHS & no Sb/Br)	SNAGCU	Level-3-260C-168 HR	-40 to 85	M430F478	Samples
MSP430F478IZQWR	ACTIVE	BGA MICROSTAR JUNIOR	ZQW	113	2500	Green (RoHS & no Sb/Br)	SNAGCU	Level-3-260C-168 HR	-40 to 85	M430F478	Samples
MSP430F479IPN	ACTIVE	LQFP	PN	80	119	Green (RoHS & no Sb/Br)	CU NIPDAU	Level-3-260C-168 HR	-40 to 85	M430F479	Samples
MSP430F479IPNR	ACTIVE	LQFP	PN	80	1000	Green (RoHS & no Sb/Br)	CU NIPDAU	Level-3-260C-168 HR	-40 to 85	M430F479	Samples
MSP430F479IZQWR	OBSOLETE	BGA MICROSTAR JUNIOR	ZQW	113		TBD	Call TI	Call TI	-40 to 85	M430F479	

⁽¹⁾ The marketing status values are defined as follows:

ACTIVE: Product device recommended for new designs.

LIFEBUY: TI has announced that the device will be discontinued, and a lifetime-buy period is in effect.

NRND: Not recommended for new designs. Device is in production to support existing customers, but TI does not recommend using this part in a new design.

PREVIEW: Device has been announced but is not in production. Samples may or may not be available.

OBSOLETE: TI has discontinued the production of the device.

(2) **RoHS:** TI defines "RoHS" to mean semiconductor products that are compliant with the current EU RoHS requirements for all 10 RoHS substances, including the requirement that RoHS substance do not exceed 0.1% by weight in homogeneous materials. Where designed to be soldered at high temperatures, "RoHS" products are suitable for use in specified lead-free processes. TI may reference these types of products as "Pb-Free".

RoHS Exempt: TI defines "RoHS Exempt" to mean products that contain lead but are compliant with EU RoHS pursuant to a specific EU RoHS exemption.

Green: TI defines "Green" to mean the content of Chlorine (Cl) and Bromine (Br) based flame retardants meet JS709B low halogen requirements of ≤ 1000 ppm threshold. Antimony trioxide based flame retardants must also meet the ≤ 1000 ppm threshold requirement.

(3) MSL, Peak Temp. - The Moisture Sensitivity Level rating according to the JEDEC industry standard classifications, and peak solder temperature.

(4) There may be additional marking, which relates to the logo, the lot trace code information, or the environmental category on the device.

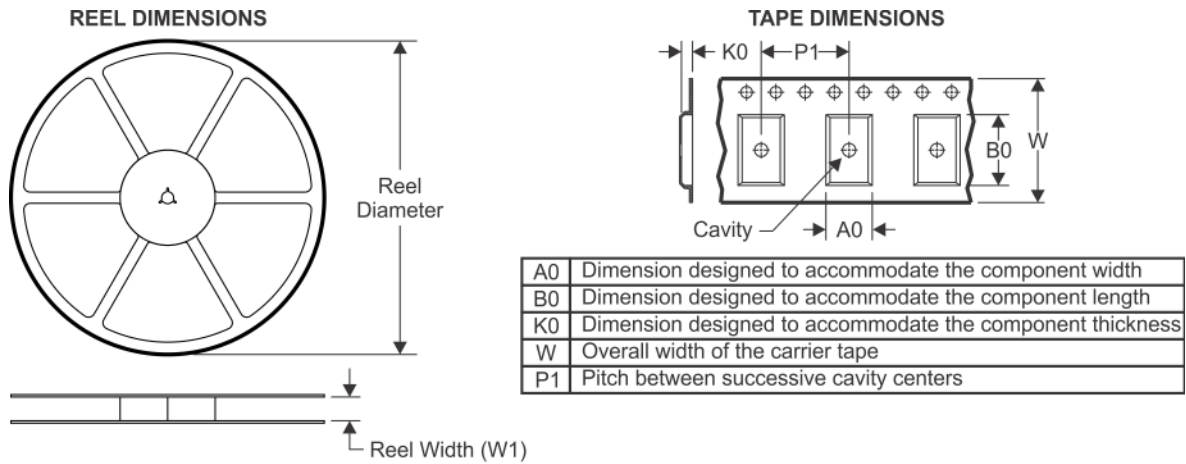
(5) Multiple Device Markings will be inside parentheses. Only one Device Marking contained in parentheses and separated by a "~" will appear on a device. If a line is indented then it is a continuation of the previous line and the two combined represent the entire Device Marking for that device.

(6) Lead/Ball Finish - Orderable Devices may have multiple material finish options. Finish options are separated by a vertical ruled line. Lead/Ball Finish values may wrap to two lines if the finish value exceeds the maximum column width.

Important Information and Disclaimer: The information provided on this page represents TI's knowledge and belief as of the date that it is provided. TI bases its knowledge and belief on information provided by third parties, and makes no representation or warranty as to the accuracy of such information. Efforts are underway to better integrate information from third parties. TI has taken and continues to take reasonable steps to provide representative and accurate information but may not have conducted destructive testing or chemical analysis on incoming materials and chemicals. TI and TI suppliers consider certain information to be proprietary, and thus CAS numbers and other limited information may not be available for release.

In no event shall TI's liability arising out of such information exceed the total purchase price of the TI part(s) at issue in this document sold by TI to Customer on an annual basis.

TAPE AND REEL INFORMATION



QUADRANT ASSIGNMENTS FOR PIN 1 ORIENTATION IN TAPE



*All dimensions are nominal

Device	Package Type	Package Drawing	Pins	SPQ	Reel Diameter (mm)	Reel Width W1 (mm)	A0 (mm)	B0 (mm)	K0 (mm)	P1 (mm)	W (mm)	Pin1 Quadrant
MSP430F478IZQWR	BGA MICROSTAR JUNIOR	ZQW	113	2500	330.0	16.4	7.3	7.3	1.5	12.0	16.0	Q1

TAPE AND REEL BOX DIMENSIONS

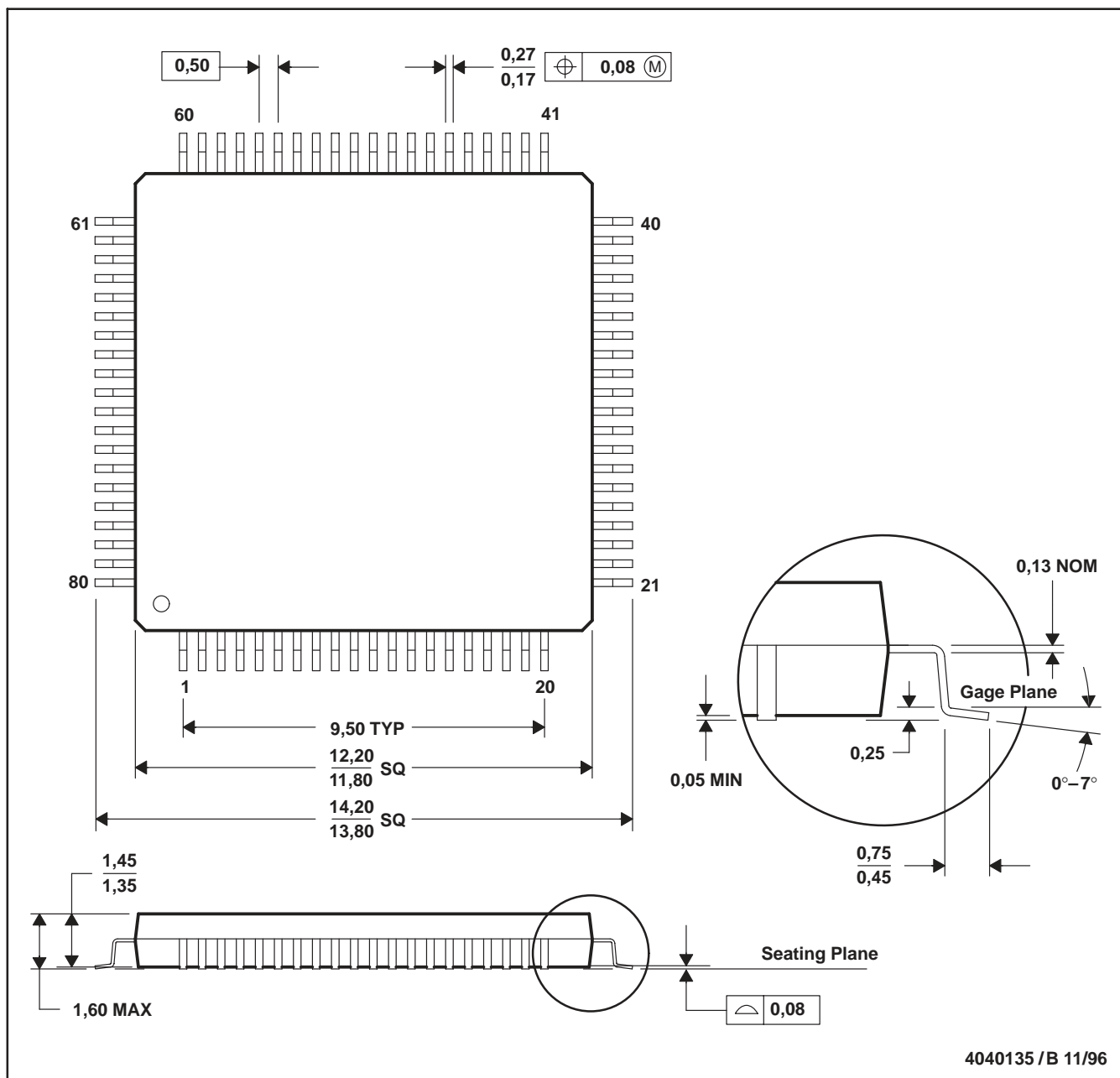


*All dimensions are nominal

Device	Package Type	Package Drawing	Pins	SPQ	Length (mm)	Width (mm)	Height (mm)
MSP430F478IZQWR	BGA MICROSTAR JUNIOR	ZQW	113	2500	350.0	350.0	43.0

PN (S-PQFP-G80)

PLASTIC QUAD FLATPACK



- NOTES: A. All linear dimensions are in millimeters.
 B. This drawing is subject to change without notice.
 C. Falls within JEDEC MS-026

IMPORTANT NOTICE AND DISCLAIMER

TI PROVIDES TECHNICAL AND RELIABILITY DATA (INCLUDING DATASHEETS), DESIGN RESOURCES (INCLUDING REFERENCE DESIGNS), APPLICATION OR OTHER DESIGN ADVICE, WEB TOOLS, SAFETY INFORMATION, AND OTHER RESOURCES "AS IS" AND WITH ALL FAULTS, AND DISCLAIMS ALL WARRANTIES, EXPRESS AND IMPLIED, INCLUDING WITHOUT LIMITATION ANY IMPLIED WARRANTIES OF MERCHANTABILITY, FITNESS FOR A PARTICULAR PURPOSE OR NON-INFRINGEMENT OF THIRD PARTY INTELLECTUAL PROPERTY RIGHTS.

These resources are intended for skilled developers designing with TI products. You are solely responsible for (1) selecting the appropriate TI products for your application, (2) designing, validating and testing your application, and (3) ensuring your application meets applicable standards, and any other safety, security, or other requirements. These resources are subject to change without notice. TI grants you permission to use these resources only for development of an application that uses the TI products described in the resource. Other reproduction and display of these resources is prohibited. No license is granted to any other TI intellectual property right or to any third party intellectual property right. TI disclaims responsibility for, and you will fully indemnify TI and its representatives against, any claims, damages, costs, losses, and liabilities arising out of your use of these resources.

TI's products are provided subject to TI's Terms of Sale (www.ti.com/legal/termsofsale.html) or other applicable terms available either on ti.com or provided in conjunction with such TI products. TI's provision of these resources does not expand or otherwise alter TI's applicable warranties or warranty disclaimers for TI products.

Mailing Address: Texas Instruments, Post Office Box 655303, Dallas, Texas 75265
Copyright © 2019, Texas Instruments Incorporated