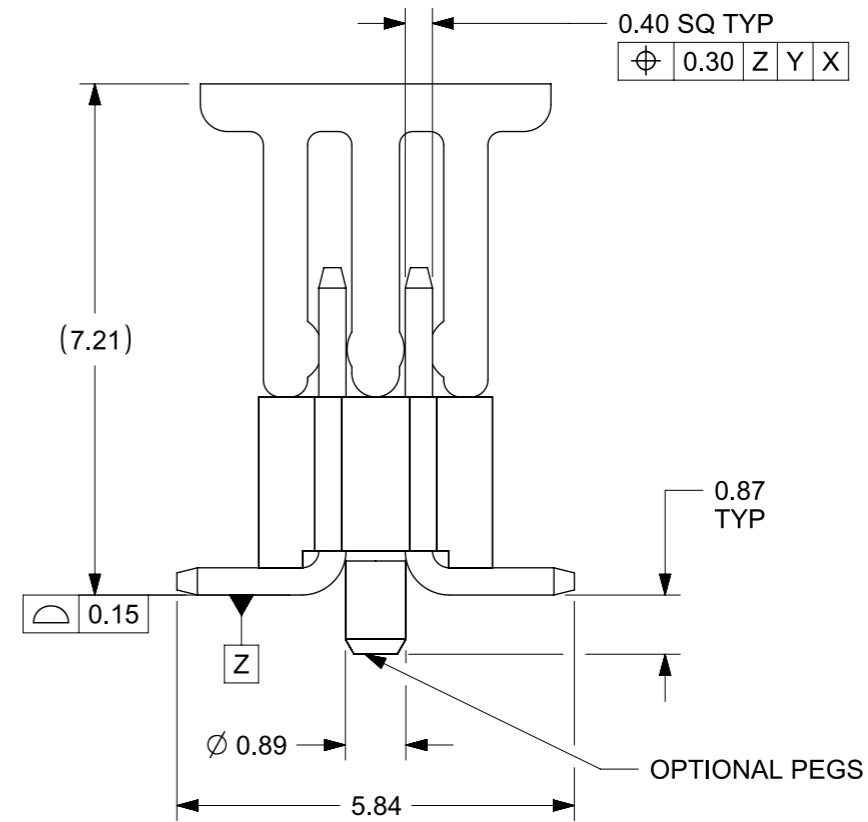
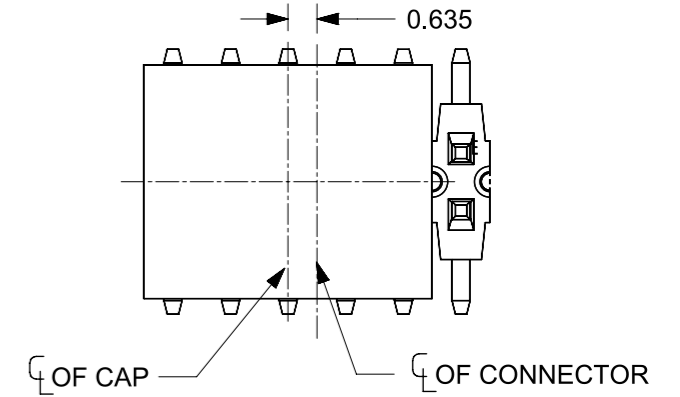
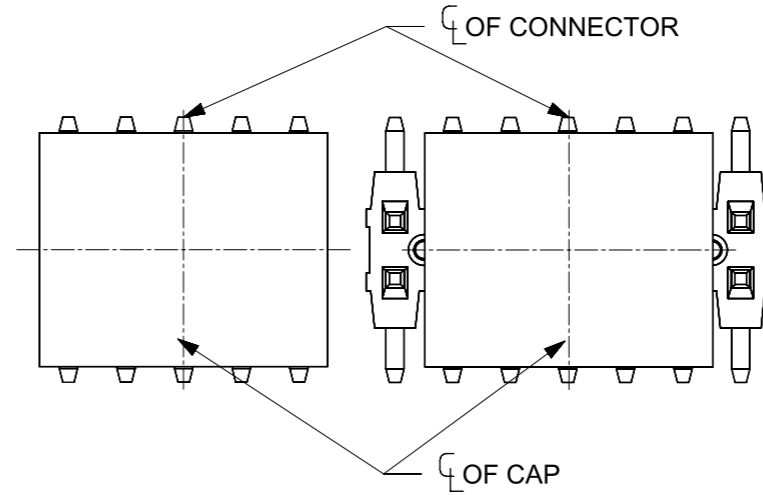


6 CAP POSITION WITH RESPECT TO CONNECTOR

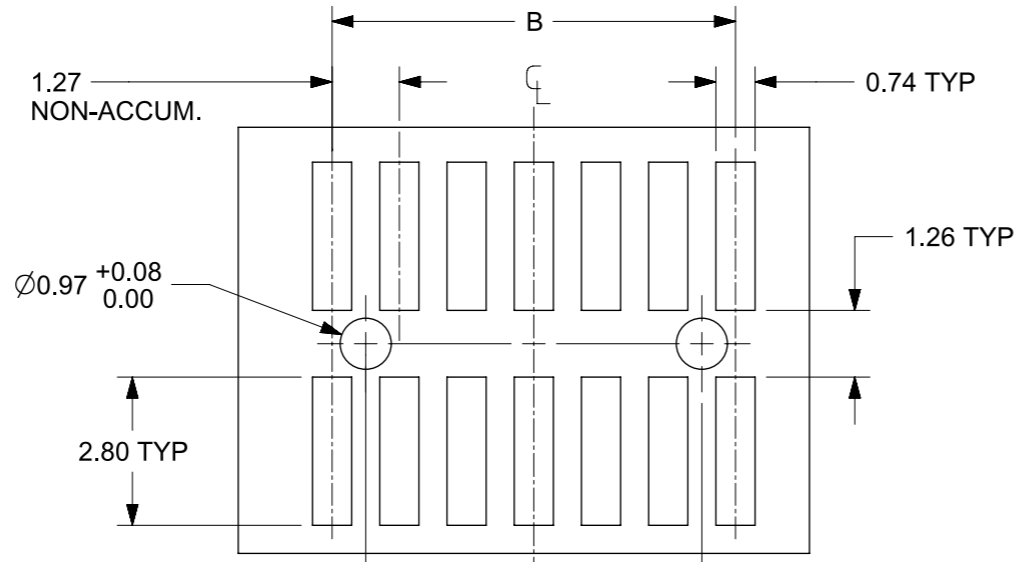
FOR CKT 10 & BELOW & CKT 14, 18, 22, 26, 30, 34, 38, 42, 46, 50, 54, 58, 62, 66, 70, 74, 78, 82, 86, 90, 94, 98

FOR 12, 16, 20, 24, 28, 32, 36, 40, 44, 48, 52, 56, 60, 64, 68, 72, 76, 80, 84, 86, 92, 96, 100

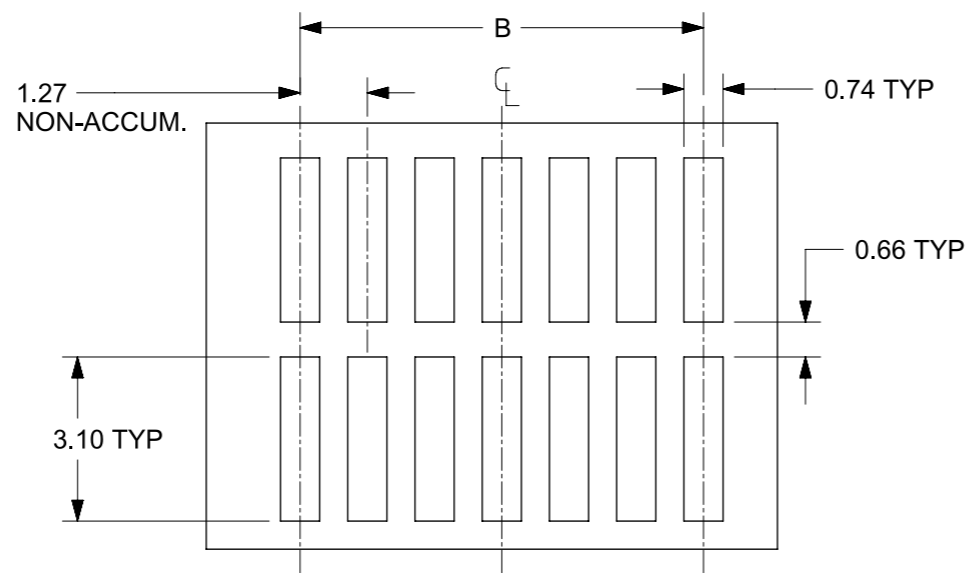


| | | | | | | | | | | | |
|---|--|--------------------|------------------------|-------------------|---------|--|--------|--|-----------------|----------------|--------------|
| THIS DRAWING CONTAINS INFORMATION THAT IS PROPRIETARY TO MOLEX ELECTRONIC TECHNOLOGIES, LLC AND SHOULD NOT BE USED WITHOUT WRITTEN PERMISSION | | | | | | | | | | | |
| DIMENSION UNITS | | SCALE | | CURRENT REV DESC: | | | | | | | |
| mm | | NTS | | | | | | | | | |
| GENERAL TOLERANCES (UNLESS SPECIFIED) | | | | | | | | | | | |
| ANGULAR TOL ± 3.0° | | | | | | | | | | | |
| 4 PLACES ± | | DRWN: DANUSA | | 2022/11/18 | | PRODUCT CUSTOMER DRAWING | | | | | |
| 3 PLACES ± | | CHK'D: SUAIFR | | 2023/03/22 | | | | | | | |
| 2 PLACES ± 0.2 | | APPR: MRAMAKRISHNA | | 2023/03/23 | | DOCUMENT NUMBER: SD-87933-0001 DOC TYPE: PSD DOC PART: 000 REVISION: C5 | | | | | |
| 1 PLACE ± | | INITIAL REVISION: | | | | | | | | | |
| 0 PLACES ± | | DRWN: SCHEONG | | 2016/09/14 | | | | | | | |
| | | APPR: SCHEONG | | 2016/11/10 | | | | | | | |
| DRAFT WHERE APPLICABLE MUST REMAIN WITHIN DIMENSIONS | | | THIRD ANGLE PROJECTION | | DRAWING | | SERIES | | MATERIAL NUMBER | CUSTOMER | SHEET NUMBER |
| | | | | | A3-SIZE | | 87933 | | SEE TABLE | GENERAL MARKET | 1 OF 6 |

| CKT SIZE | DIM A | DIM B | DIM C |
|----------|-------|-------|-------|
| 4 | 2.54 | 1.27 | - |
| 6 | 3.81 | 2.54 | - |
| 8 | 5.08 | 3.81 | - |
| 10 | 6.35 | 5.08 | 3.81 |
| 12 | 7.62 | 6.35 | - |
| 14 | 8.89 | 7.62 | - |
| 16 | 10.16 | 8.89 | - |
| 18 | 11.43 | 10.16 | - |
| 20 | 12.70 | 11.43 | 10.16 |
| 22 | 13.97 | 12.70 | - |
| 24 | 15.24 | 13.97 | - |

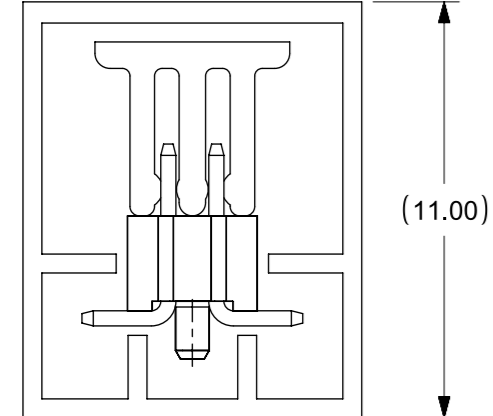


RECOMMENDED PCB LAYOUT
(PARTS WITH PEGS)
MANUFACTURING TOLERANCE ±0.05

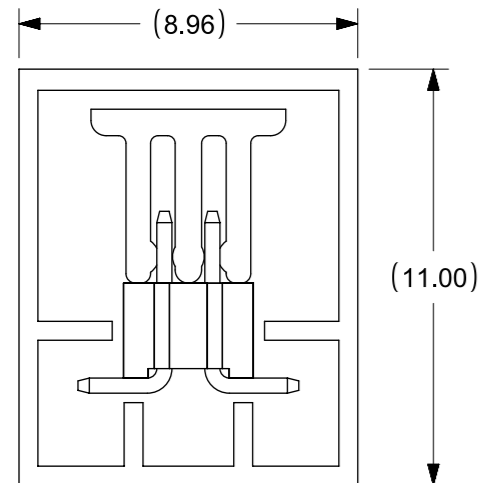


RECOMMENDED PCB LAYOUT
(IMPROVED FOR WITHOUT PEGS OPTION)
MANUFACTURING TOLERANCE ±0.05

- NOTE:
- MATERIAL: HOUSING: LCP GLASS FILLED, COLOR: BLACK
TERMINAL: COPPER ALLOY
 - PIN PUSHOUT FORCE: 0.4KG MIN. IN EITHER DIRECTION.
 - PLATING FINISH:
 - 2 MICRO INCH MIN. GOLD FLASH OVERALL, 50 MICRO INCH MIN. NICKEL UNDERPLATED
 - 100 MICRO INCH MIN. TIN OVERALL, 50 MICRO INCH MIN. NICKEL UNDERPLATED
 - 30 MICRO INCH MIN. GOLD PLATE IN SELECTED AREA AND 80 MICRO INCH MIN. TIN IN SELECTED AREA OVER, 50 MICRO INCH MIN. NICKEL UNDERPLATED
 - 15 MICRO INCH MIN. GOLD PLATE IN SELECTED AREA AND 80 MICRO INCH MIN. TIN IN SELECTED AREA OVER, 50 MICRO INCH MIN. NICKEL UNDERPLATED
 - 2 MICRO INCH MIN. GOLD FLASH IN SELECTED AREA AND 100 MICRO INCH MIN. TIN IN SELECTED AREA OVER, 50 MICRO INCH MIN. NICKEL UNDERPLATED
 - THE ABOVE 14 CKT SHOWN IS FOR ILLUSTRATION ONLY.
 - PARTS TO BE PACKED IN TUBE EXCEPT FOR 4 CKTS.
 - POSITION OF CAP TO BE LOCATED AS SHOWN.
 - IRREGULAR CIRCUIT CUTOFF WITHIN BREAKAWAY SECTION IS PERMISSIBLE. CUTTING OR CHIPPING OF THE MAIN BODY IS NOT ACCEPTABLE.
 - PACKAGING SPECIFICATION REFER TO
TUBE : PK-89990-565
TAPE & REEL : PK-87933-300
 - PRODUCT SPECIFICATION: 879330001_PS
 - MATED SERIES: 78120 EXCEPT FOR FULL TIN PLATING FINISH
 - PARTS CONFORMS TO CLASS "B" REQUIREMENT TO COSMETIC SPECIFICATION PS-45499-002



PART WITH PEG & CAP
PACKED IN TUBE


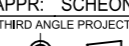


PART WITHOUT PEG &
WITH CAP PACKED IN TUBE

| | | | | | |
|---|---------|------------------------|------------|--|-----------------|
| THIS DRAWING CONTAINS INFORMATION THAT IS PROPRIETARY TO MOLEX ELECTRONIC TECHNOLOGIES, LLC AND SHOULD NOT BE USED WITHOUT WRITTEN PERMISSION | | CURRENT REV DESC: | | molex | |
| DIMENSION UNITS | SCALE | | | | |
| mm | NTS | | | 1.27MM PITCH SMT HEADER WITH CAP PACKED IN TUBE | |
| GENERAL TOLERANCES (UNLESS SPECIFIED) | | | | PRODUCT CUSTOMER DRAWING | |
| ANGULAR TOL | ± 3.0 ° | | | DOCUMENT NUMBER | |
| 4 PLACES | ± | EC NO: 743277 | 2022/11/18 | SD-87933-0001 | |
| 3 PLACES | ± | DRWN: DANUSA | 2023/03/22 | DOC TYPE | DOC PART |
| 2 PLACES | ± 0.2 | CHK'D: SUAIFR | 2023/03/23 | PSD | 000 |
| 1 PLACE | ± | APPR: MRAMAKRISHNA | 2023/03/23 | REVISION | C5 |
| 0 PLACES | ± | INITIAL REVISION: | | | |
| DRAFT WHERE APPLICABLE MUST REMAIN WITHIN DIMENSIONS | | THIRD ANGLE PROJECTION | DRAWING | SERIES | MATERIAL NUMBER |
| | | | A3-SIZE | 87933 | SEE TABLE |
| | | | | CUSTOMER | SHEET NUMBER |
| | | | | GENERAL MARKET | 2 OF 6 |

| | 10 | 9 | 8 | 7 | 6 | 5 | 4 | 3 | 2 | 1 |
|---|----------------------------|--------|------------|-----------------------------|-----|----------|-----------------|--------|---|---|
| | P/N WITH CAP PACKED IN T&R | TOOLED | NOT TOOLED | P/N WITH CAP PACKED IN TUBE | PEG | CKT SIZE | PLATING OPTIONS | DIM. M | | |
| F | 87933-0422 | | X | - | N | 04 | 1 | 1.65 | | |
| | 87933-0438 | | X | - | N | 04 | 2 | 1.65 | | |
| | 87933-0439 | | X | - | N | 04 | 3 | 1.65 | | |
| | 87933-0440 | | X | - | N | 04 | 4 | 1.65 | | |
| | 87933-0446 | | X | - | N | 04 | 5 | 1.65 | | |
| | 87933-0441 | | X | - | N | 04 | 1 | 1.91 | | |
| | 87933-0442 | | X | - | N | 04 | 2 | 1.91 | | |
| | 87933-0443 | | X | - | N | 04 | 3 | 1.91 | | |
| E | 87933-0444 | | X | - | N | 04 | 4 | 1.91 | | |
| | 87933-0448 | | X | - | N | 04 | 5 | 1.91 | | |
| | 87933-0425 | | X | - | N | 04 | 1 | 3.05 | | |
| | 87933-0426 | | X | - | N | 04 | 2 | 3.05 | | |
| | 87933-0427 | | X | - | N | 04 | 3 | 3.05 | | |
| | 87933-0428 | | X | - | N | 04 | 4 | 3.05 | | |
| | 87933-0424 | | X | - | N | 04 | 5 | 3.05 | | |
| | 87933-0622 | X | | 87933-0607 | N | 06 | 1 | 1.65 | | |
| D | 87933-0638 | X | | 87933-0608 | N | 06 | 2 | 1.65 | | |
| | 87933-0639 | X | | 87933-0609 | N | 06 | 3 | 1.65 | | |
| | 87933-0640 | X | | 87933-0610 | N | 06 | 4 | 1.65 | | |
| | 87933-0646 | X | | 87933-0645 | N | 06 | 5 | 1.65 | | |
| | 87933-0641 | X | | 87933-0611 | N | 06 | 1 | 1.91 | | |
| | 87933-0642 | X | | 87933-0612 | N | 06 | 2 | 1.91 | | |
| | 87933-0643 | X | | 87933-0613 | N | 06 | 3 | 1.91 | | |
| | 87933-0644 | X | | 87933-0614 | N | 06 | 4 | 1.91 | | |
| | 87933-0648 | X | | 87933-0647 | N | 06 | 5 | 1.91 | | |
| C | 87933-0625 | X | | 87933-0615 | N | 06 | 1 | 3.05 | | |
| | 87933-0626 | X | | 87933-0616 | N | 06 | 2 | 3.05 | | |
| | 87933-0627 | X | | 87933-0617 | N | 06 | 3 | 3.05 | | |
| | 87933-0628 | X | | 87933-0618 | N | 06 | 4 | 3.05 | | |
| | 87933-0624 | X | | 87933-0623 | N | 06 | 5 | 3.05 | | |
| | 87933-0822 | | X | 87933-0807 | N | 08 | 1 | 1.65 | | |
| | 87933-0838 | | X | 87933-0808 | N | 08 | 2 | 1.65 | | |
| | 87933-0839 | | X | 87933-0809 | N | 08 | 3 | 1.65 | | |
| B | 87933-0840 | | X | 87933-0810 | N | 08 | 4 | 1.65 | | |
| | 87933-0846 | | X | 87933-0845 | N | 08 | 5 | 1.65 | | |
| | 87933-0841 | | X | 87933-0811 | N | 08 | 1 | 1.91 | | |
| | 87933-0842 | | X | 87933-0812 | N | 08 | 2 | 1.91 | | |
| | 87933-0843 | | X | 87933-0813 | N | 08 | 3 | 1.91 | | |
| | 87933-0844 | | X | 87933-0814 | N | 08 | 4 | 1.91 | | |
| | 87933-0848 | | X | 87933-0847 | N | 08 | 5 | 1.91 | | |
| | 87933-0825 | | X | 87933-0815 | N | 08 | 1 | 3.05 | | |
| A | 87933-0826 | | X | 87933-0816 | N | 08 | 2 | 3.05 | | |
| | 87933-0827 | | X | 87933-0817 | N | 08 | 3 | 3.05 | | |

| | 10 | 9 | 8 | 7 | 6 | 5 | 4 | 3 | 2 | 1 |
|--|----------------------------|--------|------------|-----------------------------|-----|----------|-----------------|--------|---|---|
| | P/N WITH CAP PACKED IN T&R | TOOLED | NOT TOOLED | P/N WITH CAP PACKED IN TUBE | PEG | CKT SIZE | PLATING OPTIONS | DIM. M | | |
| | 87933-0828 | | X | - | N | 08 | 4 | 3.05 | | |
| | 87933-0824 | X | | - | N | 08 | 5 | 3.05 | | |
| | 87933-1022 | X | | - | N | 10 | 1 | 1.65 | | |
| | 87933-1038 | X | | - | N | 10 | 2 | 1.65 | | |
| | 87933-1039 | X | | - | N | 10 | 3 | 1.65 | | |
| | 87933-1040 | X | | - | N | 10 | 4 | 1.65 | | |
| | 87933-1046 | X | | - | N | 10 | 5 | 1.65 | | |
| | 87933-1041 | X | | - | N | 10 | 1 | 1.91 | | |
| | 87933-1042 | X | | - | N | 10 | 2 | 1.91 | | |
| | 87933-1043 | X | | - | N | 10 | 3 | 1.91 | | |
| | 87933-1044 | X | | - | N | 10 | 4 | 1.91 | | |
| | 87933-1048 | X | | - | N | 10 | 5 | 1.91 | | |
| | 87933-1025 | X | | - | N | 10 | 1 | 3.05 | | |
| | 87933-1026 | X | | - | N | 10 | 2 | 3.05 | | |
| | 87933-1021 | X | | - | N | 10 | 3 | 3.05 | | |
| | 87933-1028 | X | | 87933-1058 | N | 10 | 4 | 3.05 | | |
| | 87933-1024 | X | | - | N | 10 | 5 | 3.05 | | |
| | 87933-1237 | | X | - | N | 12 | 1 | 1.65 | | |
| | 87933-1238 | | X | - | N | 12 | 2 | 1.65 | | |
| | 87933-1239 | | X | - | N | 12 | 3 | 1.65 | | |
| | 87933-1240 | | X | - | N | 12 | 4 | 1.65 | | |
| | 87933-1246 | | X | - | N | 12 | 5 | 1.65 | | |
| | 87933-1241 | | X | - | N | 12 | 1 | 1.91 | | |
| | 87933-1242 | | X | - | N | 12 | 2 | 1.91 | | |
| | 87933-1243 | | X | - | N | 12 | 3 | 1.91 | | |
| | 87933-1244 | | X | - | N | 12 | 4 | 1.91 | | |
| | 87933-1248 | | X | - | N | 12 | 5 | 1.91 | | |
| | 87933-1225 | | X | - | N | 12 | 1 | 3.05 | | |
| | 87933-1229 | | X | - | N | 12 | 2 | 3.05 | | |
| | 87933-1227 | | X | - | N | 12 | 3 | 3.05 | | |
| | 87933-1232 | | X | - | N | 12 | 4 | 3.05 | | |
| | 87933-1224 | | X | - | N | 12 | 5 | 3.05 | | |

| | | | | | | | | | |
|---|--|---|--|--|--|----------------|--|----------------------------|--|
| THIS DRAWING CONTAINS INFORMATION THAT IS PROPRIETARY TO MOLEX ELECTRONIC TECHNOLOGIES, LLC AND SHOULD NOT BE USED WITHOUT WRITTEN PERMISSION | | | | | | | | | |
| DIMENSION UNITS | | SCALE | | CURRENT REV DESC: | | | | | |
| mm | | NTS | |  1.27MM PITCH SMT HEADER WITH CAP PACKED IN TUBE | | | | | |
| GENERAL TOLERANCES (UNLESS SPECIFIED) | | | | | | | | | |
| ANGULAR TOL ± 3.0° | | | | | | | | | |
| 4 PLACES ± | | | | | | | | | |
| 3 PLACES ± | | EC NO: 743277 | | DRWN: DANUSA | | 2022/11/18 | | PRODUCT CUSTOMER DRAWING | |
| 2 PLACES ± 0.2 | | CHK'D: SUAIFR | | APPR: MRAMAKRISHNA | | 2023/03/22 | | | |
| 1 PLACE ± | | INITIAL REVISION: | | DRWN: SCHEONG | | 2016/09/14 | | DOCUMENT NUMBER | |
| 0 PLACES ± | | APPR: SCHEONG | | 2016/11/10 | | SD-87933-0001 | | DOC TYPE DOC PART REVISION | |
| DRAFT WHERE APPLICABLE MUST REMAIN WITHIN DIMENSIONS | | THIRD ANGLE PROJECTION | | DRAWING | | SERIES | | MATERIAL NUMBER | |
| | |  | | A3-SIZE | | 87933 | | CUSTOMER | |
| | | | | SEE TABLE | | GENERAL MARKET | | SHEET NUMBER | |
| | | | | | | | | 3 OF 6 | |

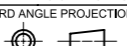
| 10 | 9 | 8 | 7 | 6 | | | |
|----------------------------|--------|------------|-----------------------------|-----|----------|-----------------|--------|
| P/N WITH CAP PACKED IN T&R | TOOLED | NOT TOOLED | P/N WITH CAP PACKED IN TUBE | PEG | CKT SIZE | PLATING OPTIONS | DIM. M |
| 87933-1422 | | X | 87933-1407 | N | 14 | 1 | 1.65 |
| 87933-1438 | | X | 87933-1408 | N | 14 | 2 | 1.65 |
| 87933-1439 | | X | 87933-1409 | N | 14 | 3 | 1.65 |
| 87933-1440 | | X | 87933-1410 | N | 14 | 4 | 1.65 |
| 87933-1446 | | X | 87933-1445 | N | 14 | 5 | 1.65 |
| 87933-1441 | | X | 87933-1411 | N | 14 | 1 | 1.91 |
| 87933-1442 | | X | 87933-1412 | N | 14 | 2 | 1.91 |
| 87933-1443 | | X | 87933-1413 | N | 14 | 3 | 1.91 |
| 87933-1444 | | X | 87933-1414 | N | 14 | 4 | 1.91 |
| 87933-1448 | | X | 87933-1447 | N | 14 | 5 | 1.91 |
| 87933-1425 | | X | 87933-1415 | N | 14 | 1 | 3.05 |
| 87933-1426 | | X | 87933-1416 | N | 14 | 2 | 3.05 |
| 87933-1427 | | X | 87933-1417 | N | 14 | 3 | 3.05 |
| 87933-1428 | | X | 87933-1418 | N | 14 | 4 | 3.05 |
| 87933-1424 | | X | 87933-1423 | N | 14 | 5 | 3.05 |
| 87933-1622 | | X | 87933-1607 | N | 16 | 1 | 1.65 |
| 87933-1638 | | X | 87933-1608 | N | 16 | 2 | 1.65 |
| 87933-1639 | | X | 87933-1609 | N | 16 | 3 | 1.65 |
| 87933-1640 | | X | 87933-1610 | N | 16 | 4 | 1.65 |
| 87933-1646 | | X | 87933-1645 | N | 16 | 5 | 1.65 |
| 87933-1641 | | X | 87933-1611 | N | 16 | 1 | 1.91 |
| 87933-1642 | | X | 87933-1612 | N | 16 | 2 | 1.91 |
| 87933-1643 | | X | 87933-1613 | N | 16 | 3 | 1.91 |
| 87933-1644 | | X | 87933-1614 | N | 16 | 4 | 1.91 |
| 87933-1648 | | X | 87933-1647 | N | 16 | 5 | 1.91 |
| 87933-1625 | | X | 87933-1615 | N | 16 | 1 | 3.05 |
| 87933-1626 | | X | 87933-1616 | N | 16 | 2 | 3.05 |
| 87933-1627 | | X | 87933-1617 | N | 16 | 3 | 3.05 |
| 87933-1628 | | X | 87933-1618 | N | 16 | 4 | 3.05 |
| 87933-1624 | | X | 87933-1623 | N | 16 | 5 | 3.05 |
| 87933-1822 | | X | 87933-1807 | N | 18 | 1 | 1.65 |
| 87933-1838 | | X | 87933-1808 | N | 18 | 2 | 1.65 |
| 87933-1839 | | X | 87933-1809 | N | 18 | 3 | 1.65 |
| 87933-1840 | | X | 87933-1810 | N | 18 | 4 | 1.65 |
| 87933-1846 | | X | 87933-1845 | N | 18 | 5 | 1.65 |
| 87933-1841 | | X | 87933-1811 | N | 18 | 1 | 1.91 |
| 87933-1842 | | X | 87933-1812 | N | 18 | 2 | 1.91 |
| 87933-1843 | | X | 87933-1813 | N | 18 | 3 | 1.91 |
| 87933-1844 | | X | 87933-1814 | N | 18 | 4 | 1.91 |
| 87933-1848 | | X | 87933-1847 | N | 18 | 5 | 1.91 |
| 87933-1825 | | X | 87933-1815 | N | 18 | 1 | 3.05 |
| 87933-1826 | | X | 87933-1816 | N | 18 | 2 | 3.05 |
| 87933-1827 | | X | 87933-1817 | N | 18 | 3 | 3.05 |

| 5 | 4 | 3 | 2 | 1 | | | |
|----------------------------|--------|------------|-----------------------------|-----|----------|-----------------|--------|
| P/N WITH CAP PACKED IN T&R | TOOLED | NOT TOOLED | P/N WITH CAP PACKED IN TUBE | PEG | CKT SIZE | PLATING OPTIONS | DIM. M |
| 87933-1828 | X | | 87933-1818 | N | 18 | 4 | 3.05 |
| 87933-1824 | X | | 87933-1823 | N | 18 | 5 | 3.05 |
| 87933-2037 | X | | 87933-2007 | N | 20 | 1 | 1.65 |
| 87933-2038 | X | | 87933-2008 | N | 20 | 2 | 1.65 |
| 87933-2039 | X | | 87933-2009 | N | 20 | 3 | 1.65 |
| 87933-2040 | X | | 87933-2010 | N | 20 | 4 | 1.65 |
| 87933-2046 | X | | 87933-2045 | N | 20 | 5 | 1.65 |
| 87933-2041 | X | | 87933-2011 | N | 20 | 1 | 1.91 |
| 87933-2042 | X | | 87933-2012 | N | 20 | 2 | 1.91 |
| 87933-2043 | X | | 87933-2013 | N | 20 | 3 | 1.91 |
| 87933-2044 | X | | 87933-2014 | N | 20 | 4 | 1.91 |
| 87933-2048 | X | | 87933-2047 | N | 20 | 5 | 1.91 |
| 87933-2025 | X | | 87933-2015 | N | 20 | 1 | 3.05 |
| 87933-2026 | X | | 87933-2016 | N | 20 | 2 | 3.05 |
| 87933-2027 | X | | 87933-2017 | N | 20 | 3 | 3.05 |
| 87933-2021 | X | | 87933-2018 | N | 20 | 4 | 3.05 |
| 87933-2024 | X | | 87933-2023 | N | 20 | 5 | 3.05 |
| 87933-2237 | | X | 87933-2207 | N | 22 | 1 | 1.65 |
| 87933-2238 | | X | 87933-2208 | N | 22 | 2 | 1.65 |
| 87933-2239 | | X | 87933-2209 | N | 22 | 3 | 1.65 |
| 87933-2240 | | X | 87933-2210 | N | 22 | 4 | 1.65 |
| 87933-2246 | | X | 87933-2245 | N | 22 | 5 | 1.65 |
| 87933-2241 | | X | 87933-2211 | N | 22 | 1 | 1.91 |
| 87933-2242 | | X | 87933-2212 | N | 22 | 2 | 1.91 |
| 87933-2243 | | X | 87933-2213 | N | 22 | 3 | 1.91 |
| 87933-2244 | | X | 87933-2214 | N | 22 | 4 | 1.91 |
| 87933-2248 | | X | 87933-2247 | N | 22 | 5 | 1.91 |
| 87933-2225 | | X | 87933-2215 | N | 22 | 1 | 3.05 |
| 87933-2226 | | X | 87933-2216 | N | 22 | 2 | 3.05 |
| 87933-2227 | | X | 87933-2217 | N | 22 | 3 | 3.05 |
| 87933-2228 | | X | 87933-2218 | N | 22 | 4 | 3.05 |
| 87933-2224 | | X | 87933-2223 | N | 22 | 5 | 3.05 |

THIS DRAWING CONTAINS INFORMATION THAT IS PROPRIETARY TO MOLEX ELECTRONIC TECHNOLOGIES, LLC AND SHOULD NOT BE USED WITHOUT WRITTEN PERMISSION

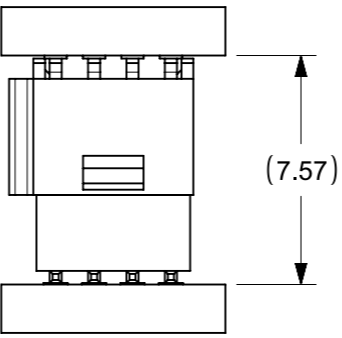
| | | | | |
|--|--------|------------------------|-----------------|---|
| DIMENSION UNITS | SCALE | CURRENT REV DESC: | | molex |
| mm | NTS | | | |
| GENERAL TOLERANCES (UNLESS SPECIFIED) | | | | 1.27MM PITCH SMT HEADER WITH CAP PACKED IN TUBE |
| ANGULAR TOL | ± 3.0° | | | |
| 4 PLACES | ± | EC NO: 743277 | 2022/11/18 | PRODUCT CUSTOMER DRAWING |
| 3 PLACES | ± | DRWN: DANUSA | 2023/03/22 | |
| 2 PLACES | ± 0.2 | CHK'D: SUAIFR | 2023/03/23 | DOCUMENT NUMBER |
| 1 PLACE | ± | APPR: MRAMAKRISHNA | 2023/03/23 | |
| 0 PLACES | ± | INITIAL REVISION: | | SD-87933-0001 |
| | | DRWN: SCHEONG | 2016/09/14 | |
| | | APPR: SCHEONG | 2016/11/10 | DOC TYPE |
| DRAFT WHERE APPLICABLE MUST REMAIN WITHIN DIMENSIONS | | THIRD ANGLE PROJECTION | DRAWING | DOC PART |
| | | | A3-SIZE | REVISION |
| | | SERIES | MATERIAL NUMBER | CUSTOMER |
| | | 87933 | SEE TABLE | GENERAL MARKET |
| | | | | SHEET NUMBER |
| | | | | 4 OF 6 |


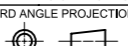
| 10 | 9 | 8 | 7 | 6 | 5 | 4 | 3 | 2 | 1 |
|-------------------------------|--------|---------------|--------------------------------|-----|-------------|--------------------|-----------|---|---|
| P/N WITH CAP PACKED IN T&R | TOOLED | NOT TOOLED | P/N WITH CAP PACKED IN TUBE | PEG | CKT SIZE | PLATING OPTIONS | DIM. M | | |
| 87933-2437 | | X | 87933-2407 | N | 24 | 1 | 1.65 | | |
| 87933-2438 | | X | 87933-2408 | N | 24 | 2 | 1.65 | | |
| 87933-2439 | | X | 87933-2409 | N | 24 | 3 | 1.65 | | |
| 87933-2440 | | X | 87933-2410 | N | 24 | 4 | 1.65 | | |
| 87933-2446 | | X | 87933-2445 | N | 24 | 5 | 1.65 | | |
| 87933-2441 | | X | 87933-2411 | N | 24 | 1 | 1.91 | | |
| 87933-2442 | | X | 87933-2412 | N | 22 | 2 | 1.91 | | |
| 87933-2443 | | X | 87933-2413 | N | 24 | 3 | 1.91 | | |
| 87933-2444 | | X | 87933-2414 | N | 24 | 4 | 1.91 | | |
| 87933-2448 | | X | 87933-2447 | N | 24 | 5 | 1.91 | | |
| 87933-2425 | | X | 87933-2415 | N | 24 | 1 | 3.05 | | |
| 87933-2426 | | X | 87933-2416 | N | 24 | 2 | 3.05 | | |
| 87933-2427 | | X | 87933-2417 | N | 24 | 3 | 3.05 | | |
| 87933-2428 | | X | 87933-2418 | N | 24 | 4 | 3.05 | | |
| 87933-2424 | | X | 87933-2423 | N | 24 | 5 | 3.05 | | |

| | | | | | | | | | | | | |
|---|--|-------|--|---|--|--|--|--------------------------|--|--|----------|--------------|
| THIS DRAWING CONTAINS INFORMATION THAT IS PROPRIETARY TO MOLEX ELECTRONIC TECHNOLOGIES, LLC AND SHOULD NOT BE USED WITHOUT WRITTEN PERMISSION | | | | | | | | | | | | |
| DIMENSION UNITS | | SCALE | | CURRENT REV DESC: | | | | molex | | 1.27MM PITCH SMT HEADER WITH CAP PACKED IN TUBE | | |
| mm | | NTS | | | | | | | | | | |
| GENERAL TOLERANCES (UNLESS SPECIFIED) | | | | EC NO: 743277 DRWN: DANUSA 2022/11/18 CHK'D: SUAIFR 2023/03/22 APPR: MRAMAKRISHNA 2023/03/23 | | | | PRODUCT CUSTOMER DRAWING | | | | |
| ANGULAR TOL ± 3.0 ° | | | | | | | | | | | | |
| 4 PLACES | | ± | | INITIAL REVISION: DRWN: SCHEONG 2016/09/14 APPR: SCHEONG 2016/11/10 | | | | DOCUMENT NUMBER | | DOC TYPE | DOC PART | REVISION |
| 3 PLACES | | ± | | | | | | SD-87933-0001 | | PSD | 000 | C5 |
| 2 PLACES | | ± 0.2 | | THIRD ANGLE PROJECTION  | | | | MATERIAL NUMBER | | CUSTOMER | | SHEET NUMBER |
| 1 PLACE | | ± | | | | | | A3-SIZE | | 87933 | | SEE TABLE |
| 0 PLACES | | ± | | DRAFT WHERE APPLICABLE MUST REMAIN WITHIN DIMENSIONS | | | | | | | | |

| | | | | |
|-----------------|----|--------------|------------|----------|
| DOCUMENT STATUS | P1 | RELEASE DATE | 2023/03/23 | 05:13:54 |
|-----------------|----|--------------|------------|----------|

BOARD TO BOARD (BTB) DISTANCE

| HEADER | MATES WITH (RECEPTACLE) | BTB DIST. | PICTORIAL VIEW |
|--------|-------------------------|-----------|---|
| 87933 | 78120 | 7.57 |  |

| | | | | | | | | | | | |
|---|---------|---|--|---------|--------|---|----------------|-----------------|----------|----------|----------|
| THIS DRAWING CONTAINS INFORMATION THAT IS PROPRIETARY TO MOLEX ELECTRONIC TECHNOLOGIES, LLC AND SHOULD NOT BE USED WITHOUT WRITTEN PERMISSION | | | | | | | | | | | |
| DIMENSION UNITS | SCALE | CURRENT REV DESC: | | | |  | | | | | |
| mm | NTS | | | | | | | | | | |
| GENERAL TOLERANCES (UNLESS SPECIFIED) | | EC NO: 743277 DRWN: DANUSA 2022/11/18 CHK'D: SUAIFR 2023/03/22 APPR: MRAMAKRISHNA 2023/03/23 | | | | 1.27MM PITCH SMT HEADER WITH CAP PACKED IN TUBE | | | | | |
| ANGULAR TOL | ± 3.0 ° | | | | | PRODUCT CUSTOMER DRAWING | | | | | |
| 4 PLACES | ± | | | | | INITIAL REVISION: | | DOCUMENT NUMBER | DOC TYPE | DOC PART | REVISION |
| 3 PLACES | ± | | | | | DRWN: SCHEONG 2016/09/14 | 2016/11/10 | SD-87933-0001 | PSD | 000 | C5 |
| 2 PLACES | ± 0.2 | | | | | APPR: SCHEONG 2016/11/10 | | | | | |
| 1 PLACE | ± | THIRD ANGLE PROJECTION | | DRAWING | SERIES | MATERIAL NUMBER | CUSTOMER | SHEET NUMBER | | | |
| 0 PLACES | ± |  | | A3-SIZE | 87933 | SEE TABLE | GENERAL MARKET | 6 OF 6 | | | |
| DRAFT WHERE APPLICABLE MUST REMAIN WITHIN DIMENSIONS | | | | | | | | | | | |

| | | | |
|-----------------|----|--------------|---------------------|
| DOCUMENT STATUS | P1 | RELEASE DATE | 2023/03/23 05:13:54 |
|-----------------|----|--------------|---------------------|