

J Series® 5630 LEDs



PRODUCT DESCRIPTION

J Series® LEDs extend Cree’s industry-leading portfolio of lighting-class LEDs to a broader set of applications. The J Series 5630 LEDs combine high efficacy and excellent value. Providing up to 217 LPW, the J Series 5630 High-Efficacy LEDs are optimized for lighting applications where high efficacy and consistent, uniform light are necessary, such as troffers, panel lights and outdoor area lights.

FEATURES

- Industry-compatible size: 5.6 x 3.0 x 0.6 mm
- 3-V configuration
- Flux and chromaticity binned at 25 °C
- 6500 K–2700 K ANSI CCTs available
- 70, 80 & 90 CRI available for all CCTs
- RoHS and REACH compliant
- UL® recognized component (E495478)

PRODUCT SUMMARY

| Product | Power Class | Test Temperature | Test Current | Typical Forward Voltage | 5000 K, 70 CRI | | 4000 K, 80 CRI | | Maximum Current |
|--------------------------|-------------|------------------|--------------|-------------------------|----------------|------------------|----------------|------------------|-----------------|
| | | | | | Typical Flux | Typical Efficacy | Typical Flux | Typical Efficacy | |
| JB5630 3-V Standard | 0.2 W | 25 °C | 65 mA | 2.8 V | 37.5 lm | 206 LPW | 36.4 lm | 200 LPW | 240 mA |
| JB5630 3-V High Efficacy | 0.2 W | 25 °C | 65 mA | 2.71 V | 38.3 lm | 217 LPW | 36.8 lm | 209 LPW | 240 mA |



J Series® Products are sold exclusively by Cree Venture LED Company Limited (“Cree Venture”), regardless of geography. Any orders for J Series Products that are submitted to Cree LED or any of its other subsidiaries will be directed to Cree Venture for acknowledgment and order fulfillment.

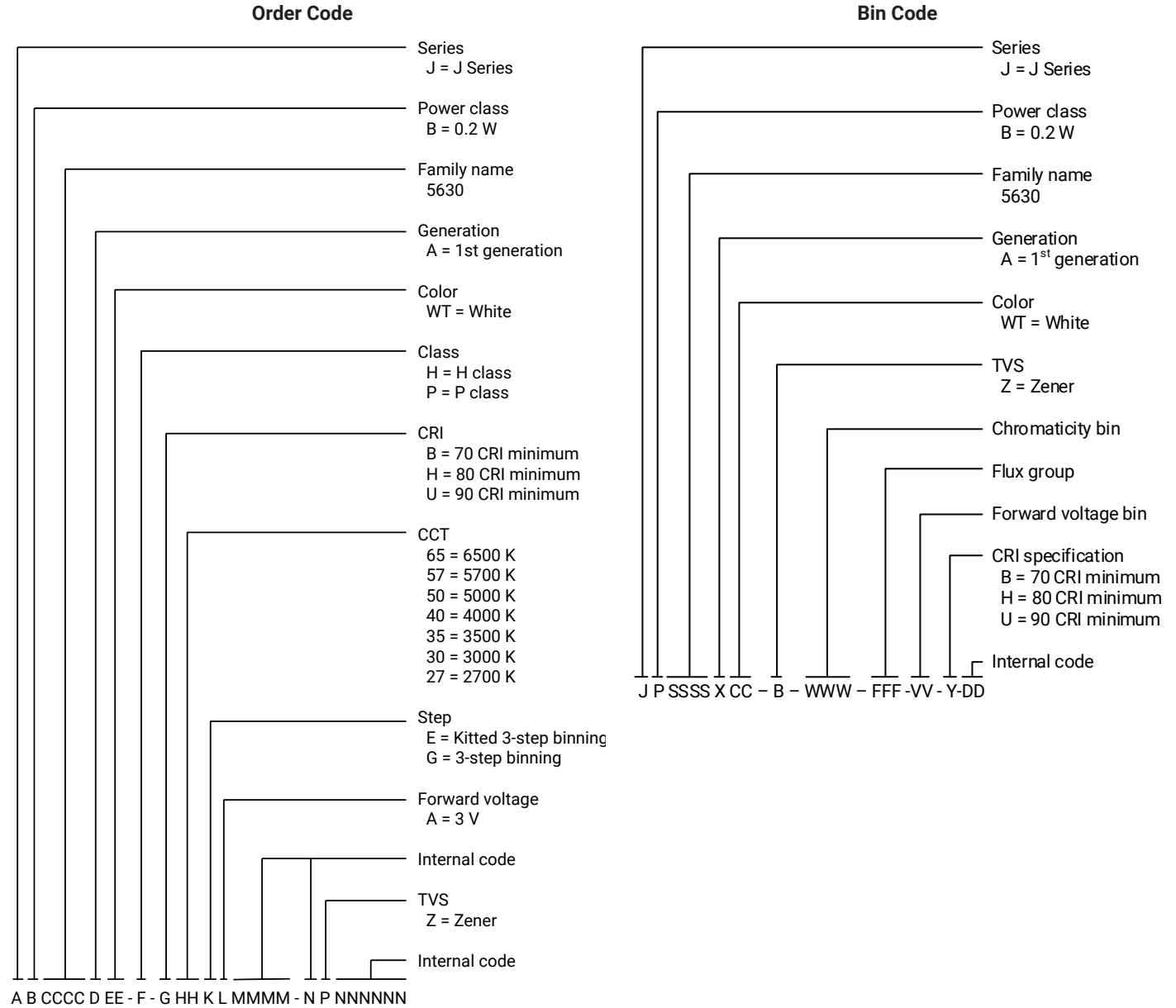
Cree LED / 4001 E. Hwy. 54, Suite 2000 / Durham, NC 27709 USA / +1.919.313.5330 / www.cree-led.com

TABLE OF CONTENTS

| | |
|--|----|
| Order Code & Bin Code Formats | 3 |
| Characteristics - JB5630 3-V Standard | 4 |
| Operating Limits - JB5630 3-V Standard | 4 |
| Flux Characteristics, Order Codes and Bins - JB5630 3-V Standard | 5 |
| Relative Luminous Flux vs. Current - JB5630 3-V Standard | 6 |
| Electrical Characteristics - JB5630 3-V Standard | 6 |
| Relative Chromaticity vs. Current - JB5630 3-V Standard | 7 |
| Relative Chromaticity vs. Temperature - JB5630 3-V Standard | 7 |
| Relative Luminous Flux vs. Junction Temperature - JB5630 3-V Standard | 8 |
| Characteristics - JB5630 3-V High Efficacy | 9 |
| Operating Limits - JB5630 3-V High Efficacy | 9 |
| Flux Characteristics, Order Codes and Bins - JB5630 3-V High Efficacy | 10 |
| Relative Luminous Flux vs. Current - JB5630 3-V High Efficacy | 11 |
| Electrical Characteristics - JB5630 3-V High Efficacy | 11 |
| Relative Chromaticity vs. Current - JB5630 3-V High Efficacy | 12 |
| Relative Chromaticity vs. Temperature - JB5630 3-V High Efficacy | 12 |
| Relative Luminous Flux vs. Junction Temperature - JB5630 3-V High Efficacy | 13 |
| Relative Spectral Power Distribution | 14 |
| Typical Spatial Distribution | 15 |
| Performance Groups - Luminous Flux | 15 |
| Performance Groups - Forward Voltage | 15 |
| Performance Groups - Chromaticity | 16 |
| Reflow Soldering Characteristics | 24 |
| Notes | 25 |
| Mechanical Dimensions | 27 |
| Tape & Reel | 29 |
| Packaging | 31 |

ORDER CODE & BIN CODE FORMATS

Order codes and bin codes for J Series 5630 LEDs are configured in the following manner:

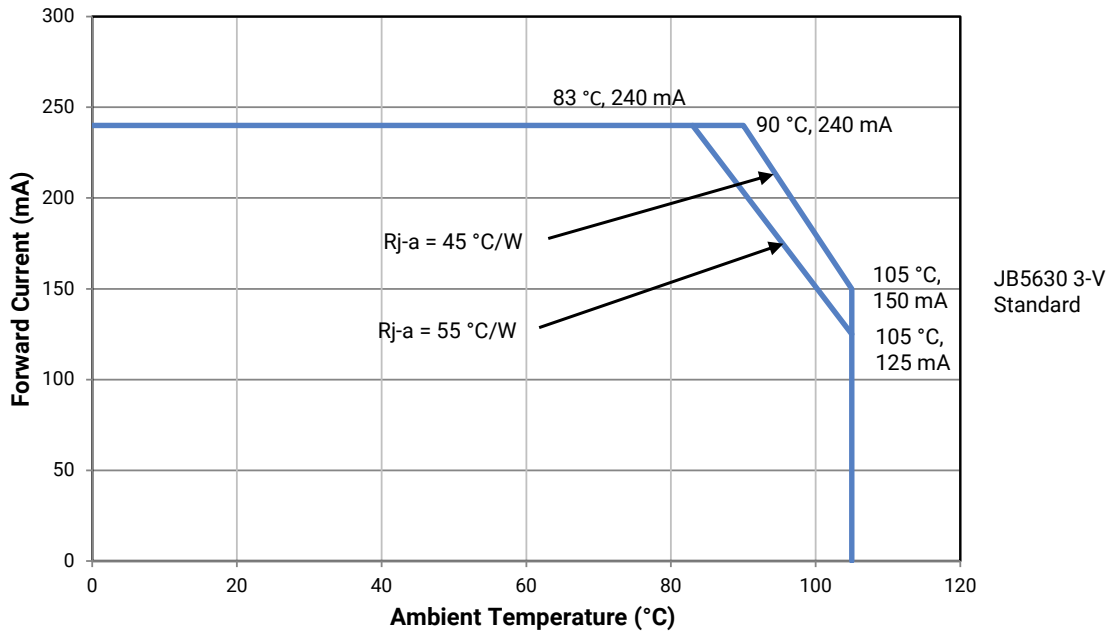


CHARACTERISTICS - JB5630 3-V STANDARD

| Characteristics | Unit | Minimum | Typical | Maximum |
|--|---------|---------|----------|---------|
| Thermal resistance, junction to solder point | °C/W | | 11 | |
| Viewing angle (FWHM) | degrees | | 120 | |
| Temperature coefficient of voltage | mV/°C | | -0.9 | |
| ESD withstand voltage (JEDEC JS-001-2012) | V | | Class 3A | |
| DC forward current | mA | | | 240 |
| Reverse voltage | V | | | 5 |
| Forward voltage (@ 65 mA, 25 °C) | V | | 2.8 | 3.0 |
| LED junction temperature | °C | | | 125 |
| Operating temperature | °C | -40 | | 105 |

OPERATING LIMITS - JB5630 3-V STANDARD

The maximum forward current is determined by the thermal resistance between the LED junction and ambient.



FLUX CHARACTERISTICS, ORDER CODES AND BINS - JB5630 3-V STANDARD (I_F = 65 mA, T_J = 25 °C)

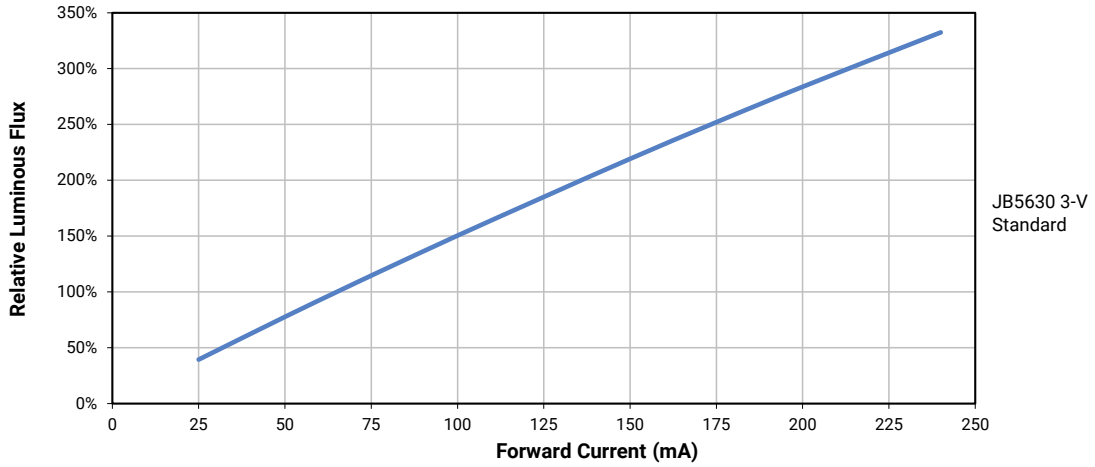
The following table provides order codes for J Series JB5630 Standard LEDs. For a complete description of the order code nomenclature, please see the Order Code and Bin Code Formats section (page 3). For definitions of the chromaticity kits, please see the Performance Groups - Chromaticity section (page 16).

| Nominal CCT | Minimum CRI [◇] | Minimum Flux (lm) @ 25 °C | Typical Flux (lm) @ 25 °C | Typical Flux (lm) @ 85 °C* | 3-Step Order Code | Kitted 3-Step Order Code** |
|-------------|--------------------------|---------------------------|---------------------------|----------------------------|--------------------------------|--------------------------------|
| 6500 K | 70 | 34 | 36.8 | 34.1 | JB5630AWT-P-B65GA0000-NZ000001 | JB5630AWT-P-B65EA0000-NZ000001 |
| | 80 | 32 | 35.5 | 32.9 | JB5630AWT-P-H65GA0000-NZ000001 | JB5630AWT-P-H65EA0000-NZ000001 |
| | 90 | 28 | 29.5 | 27.3 | JB5630AWT-P-U65GA0000-NZ000001 | JB5630AWT-P-U65EA0000-NZ000001 |
| 5700 K | 70 | 34 | 37.5 | 34.7 | JB5630AWT-P-B57GA0000-NZ000001 | JB5630AWT-P-B57EA0000-NZ000001 |
| | 80 | 34 | 36.4 | 33.7 | JB5630AWT-P-H57GA0000-NZ000001 | JB5630AWT-P-H57EA0000-NZ000001 |
| | 90 | 28 | 29.5 | 27.3 | JB5630AWT-P-U57GA0000-NZ000001 | JB5630AWT-P-U57EA0000-NZ000001 |
| 5000 K | 70 | 34 | 37.5 | 34.7 | JB5630AWT-P-B50GA0000-NZ000001 | JB5630AWT-P-B50EA0000-NZ000001 |
| | 80 | 34 | 36.4 | 33.7 | JB5630AWT-P-H50GA0000-NZ000001 | JB5630AWT-P-H50EA0000-NZ000001 |
| | 90 | 28 | 29.5 | 27.3 | JB5630AWT-P-U50GA0000-NZ000001 | JB5630AWT-P-U50EA0000-NZ000001 |
| 4000 K | 70 | 34 | 37.5 | 34.7 | JB5630AWT-P-B40GA0000-NZ000001 | JB5630AWT-P-B40EA0000-NZ000001 |
| | 80 | 34 | 36.4 | 33.7 | JB5630AWT-P-H40GA0000-NZ000001 | JB5630AWT-P-H40EA0000-NZ000001 |
| | 90 | 28 | 29.5 | 27.3 | JB5630AWT-P-U40GA0000-NZ000001 | JB5630AWT-P-U40EA0000-NZ000001 |
| 3500 K | 70 | 32 | 35.7 | 33.0 | JB5630AWT-P-B35GA0000-NZ000001 | JB5630AWT-P-B35EA0000-NZ000001 |
| | 80 | 32 | 35.4 | 32.8 | JB5630AWT-P-H35GA0000-NZ000001 | JB5630AWT-P-H35EA0000-NZ000001 |
| | 90 | 26 | 28.7 | 26.6 | JB5630AWT-P-U35GA0000-NZ000001 | JB5630AWT-P-U35EA0000-NZ000001 |
| 3000 K | 70 | 32 | 34.9 | 32.3 | JB5630AWT-P-B30GA0000-NZ000001 | JB5630AWT-P-B30EA0000-NZ000001 |
| | 80 | 30 | 33.6 | 31.1 | JB5630AWT-P-H30GA0000-NZ000001 | JB5630AWT-P-H30EA0000-NZ000001 |
| | 90 | 26 | 27.7 | 25.6 | JB5630AWT-P-U30GA0000-NZ000001 | JB5630AWT-P-U30EA0000-NZ000001 |
| 2700 K | 70 | 30 | 33.5 | 31.0 | JB5630AWT-P-B27GA0000-NZ000001 | JB5630AWT-P-B27EA0000-NZ000001 |
| | 80 | 30 | 32.3 | 29.9 | JB5630AWT-P-H27GA0000-NZ000001 | JB5630AWT-P-H27EA0000-NZ000001 |
| | 90 | 24 | 26.5 | 24.5 | JB5630AWT-P-U27GA0000-NZ000001 | JB5630AWT-P-U27EA0000-NZ000001 |

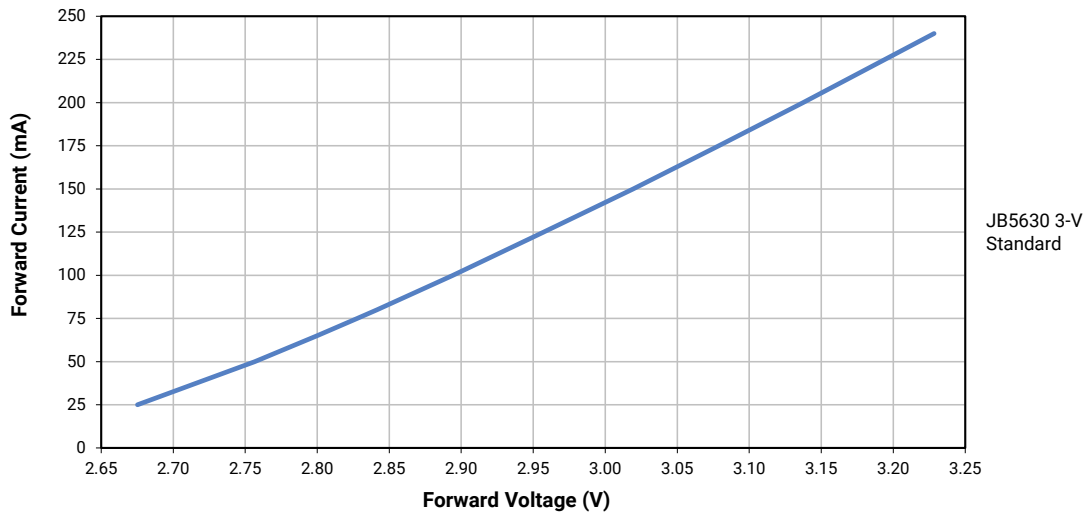
Notes:

- Cree Venture maintains a tolerance of ±7% on flux and power measurements, ±0.005 on chromaticity (CCx, CCy) measurements and ±2 on CRI measurements. See the Measurements section (page 25).
- Cree Venture J Series 5630 LED order codes specify only a minimum flux bin and not a maximum. Cree Venture may ship reels in flux bins higher than the minimum specified by the order code without advance notice. Shipments will always adhere to the chromaticity restrictions specified by the order code.
- ◇ CRI R9 minimum is 0 for 80 CRI minimum LEDs and 50 for 90 CRI minimum LEDs, with a ±3 tolerance.
- * Flux values @ 85 °C are calculated and for reference only.
- ** Contact your Cree sales representative for kitted 3-step order code details.

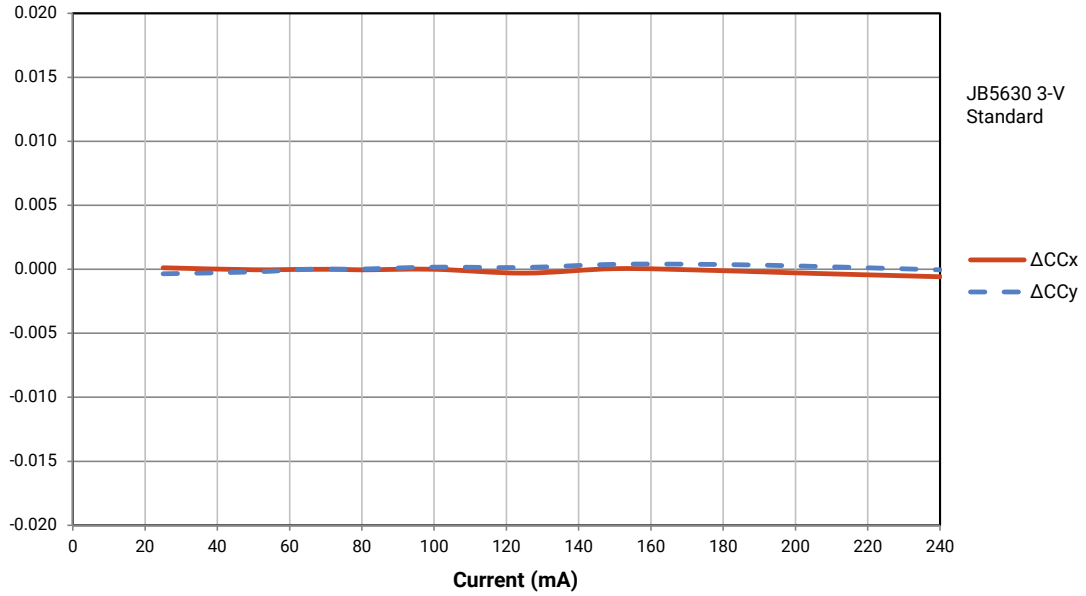
RELATIVE LUMINOUS FLUX VS. CURRENT - JB5630 3-V STANDARD



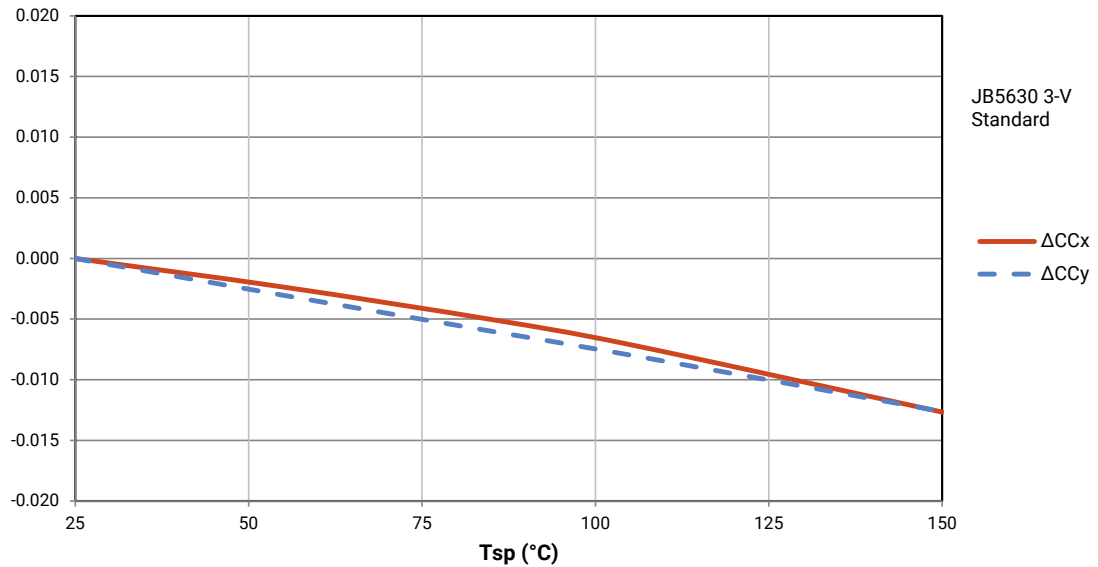
ELECTRICAL CHARACTERISTICS - JB5630 3-V STANDARD



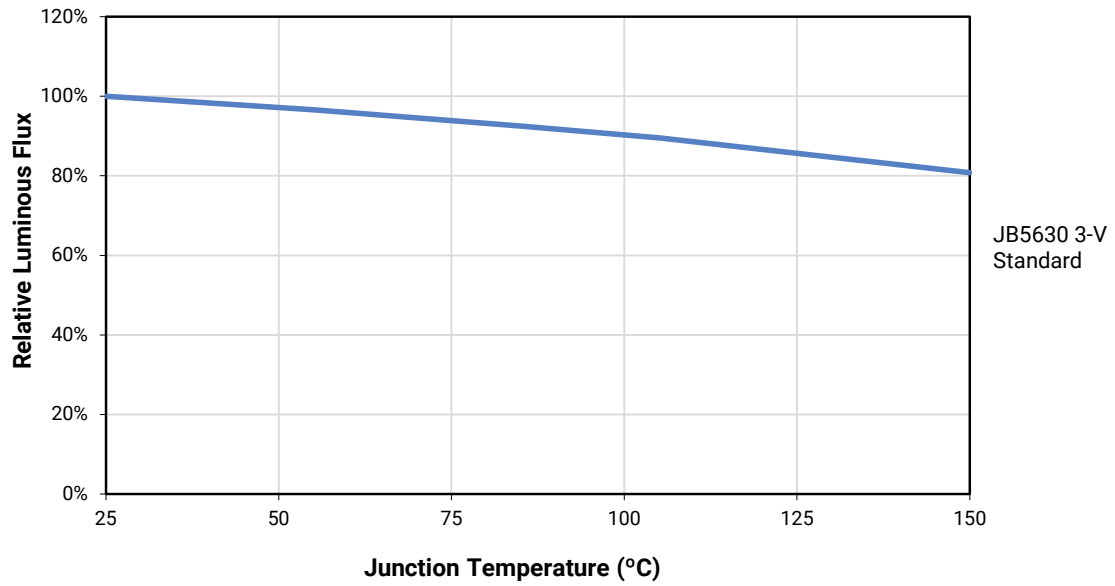
RELATIVE CHROMATICITY VS. CURRENT - JB5630 3-V STANDARD



RELATIVE CHROMATICITY VS. TEMPERATURE - JB5630 3-V STANDARD



RELATIVE LUMINOUS FLUX VS. JUNCTION TEMPERATURE - JB5630 3-V STANDARD

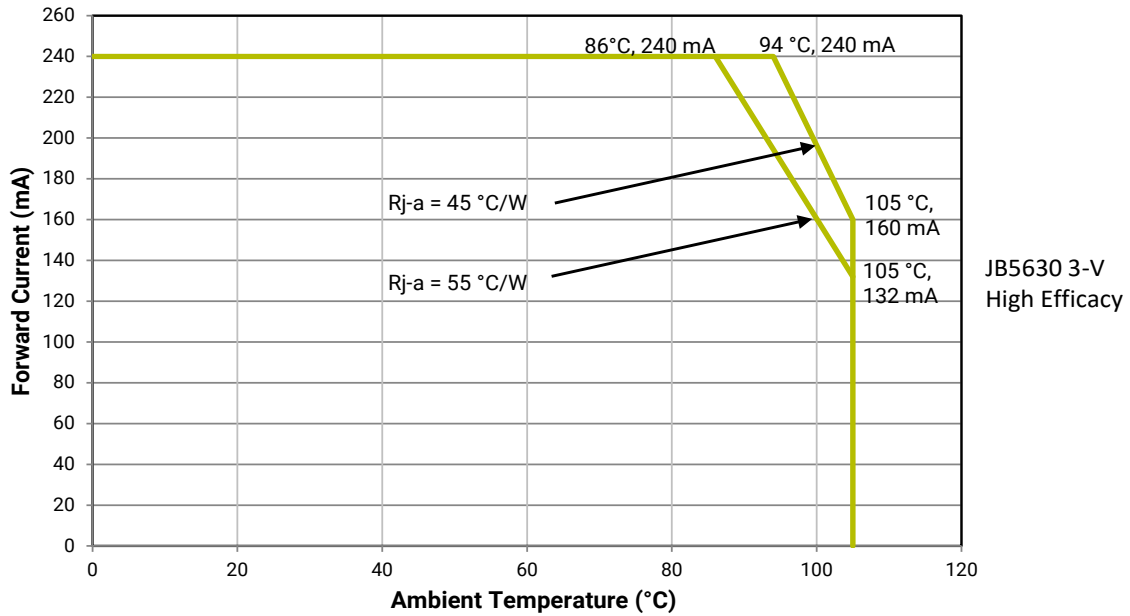


CHARACTERISTICS - JB5630 3-V HIGH EFFICACY

| Characteristics | Unit | Minimum | Typical | Maximum |
|--|---------|---------|----------|---------|
| Thermal resistance, junction to solder point | °C/W | | 6.6 | |
| Viewing angle (FWHM) | degrees | | 120 | |
| Temperature coefficient of voltage | mV/°C | | -0.9 | |
| ESD withstand voltage (JEDEC JS-001-2012) | | | Class 3A | |
| DC forward current | mA | | | 240 |
| Reverse voltage | V | | | 5 |
| Forward voltage (@ 65 mA, 25 °C) | V | | 2.71 | 2.9 |
| LED junction temperature | °C | | | 125 |
| Operating temperature | °C | -40 | | 105 |

OPERATING LIMITS - JB5630 3-V HIGH EFFICACY

The maximum forward current is determined by the thermal resistance between the LED junction and ambient.



FLUX CHARACTERISTICS, ORDER CODES AND BINS - JB5630 3-V HIGH EFFICACY ($I_F = 65 \text{ mA}$, $T_j = 25 \text{ °C}$)

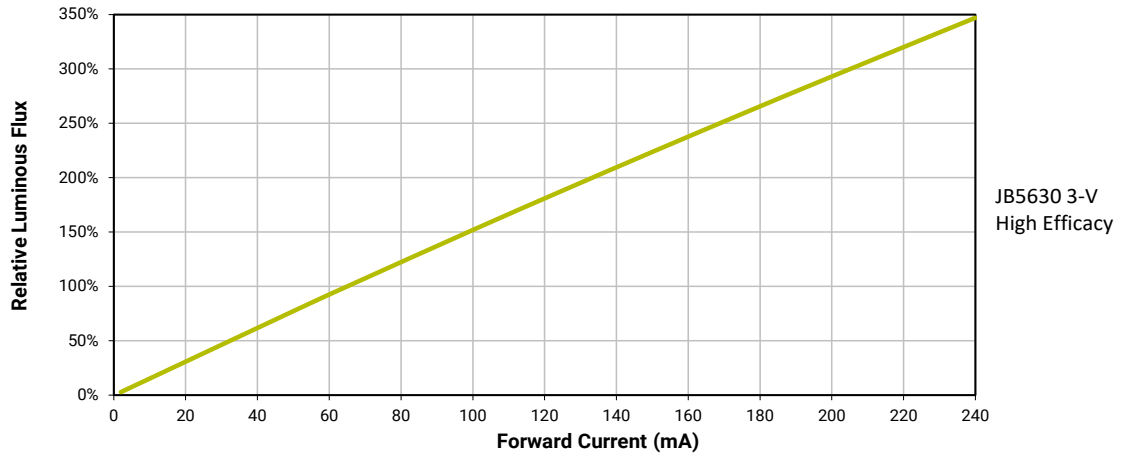
The following table provides order codes for J Series 5630 3-V High-Efficacy LEDs. For a complete description of the order code nomenclature, please see the Order Code and Bin Code Formats section (page 3). For definitions of the chromaticity kits, please see the Performance Groups - Chromaticity section (page 16).

| Nominal CCT | Minimum CRI \diamond | Minimum Flux (lm) @ 25 °C | Typical Flux (lm) @ 25 °C | Typical Flux (lm) @ 85 °C* | 3-Step Order Code | Kitted 3-Step Order Code** |
|-------------|------------------------|---------------------------|---------------------------|----------------------------|--------------------------------|--------------------------------|
| 6500 K | 70 | 36 | 38.0 | 35.4 | JB5630AWT-H-B65GA0000-NZ000001 | JB5630AWT-H-B65EA0000-NZ000001 |
| | 80 | 34 | 36.5 | 34.0 | JB5630AWT-H-H65GA0000-NZ000001 | JB5630AWT-H-H65EA0000-NZ000001 |
| | 90 | 28 | 29.8 | 27.8 | JB5630AWT-H-U65GA0000-NZ000001 | JB5630AWT-H-U65EA0000-NZ000001 |
| 5700 K | 70 | 36 | 38.3 | 35.7 | JB5630AWT-H-B57GA0000-NZ000001 | JB5630AWT-H-B57EA0000-NZ000001 |
| | 80 | 34 | 36.8 | 34.3 | JB5630AWT-H-H57GA0000-NZ000001 | JB5630AWT-H-H57EA0000-NZ000001 |
| | 90 | 28 | 29.8 | 27.8 | JB5630AWT-H-U57GA0000-NZ000001 | JB5630AWT-H-U57EA0000-NZ000001 |
| 5000 K | 70 | 36 | 38.3 | 35.7 | JB5630AWT-H-B50GA0000-NZ000001 | JB5630AWT-H-B50EA0000-NZ000001 |
| | 80 | 34 | 36.8 | 34.3 | JB5630AWT-H-H50GA0000-NZ000001 | JB5630AWT-H-H50EA0000-NZ000001 |
| | 90 | 28 | 29.8 | 27.8 | JB5630AWT-H-U50GA0000-NZ000001 | JB5630AWT-H-U50EA0000-NZ000001 |
| 4000 K | 70 | 36 | 38.3 | 35.7 | JB5630AWT-H-B40GA0000-NZ000001 | JB5630AWT-H-B40EA0000-NZ000001 |
| | 80 | 34 | 36.8 | 34.3 | JB5630AWT-H-H40GA0000-NZ000001 | JB5630AWT-H-H40EA0000-NZ000001 |
| | 90 | 28 | 29.8 | 27.8 | JB5630AWT-H-U40GA0000-NZ000001 | JB5630AWT-H-U40EA0000-NZ000001 |
| 3500 K | 70 | 34 | 37.0 | 34.5 | JB5630AWT-H-B35GA0000-NZ000001 | JB5630AWT-H-B35EA0000-NZ000001 |
| | 80 | 34 | 35.7 | 33.3 | JB5630AWT-H-H35GA0000-NZ000001 | JB5630AWT-H-H35EA0000-NZ000001 |
| | 90 | 26 | 29.0 | 27.0 | JB5630AWT-H-U35GA0000-NZ000001 | JB5630AWT-H-U35EA0000-NZ000001 |
| 3000 K | 70 | 34 | 36.1 | 33.7 | JB5630AWT-H-B30GA0000-NZ000001 | JB5630AWT-H-B30EA0000-NZ000001 |
| | 80 | 32 | 34.5 | 32.2 | JB5630AWT-H-H30GA0000-NZ000001 | JB5630AWT-H-H30EA0000-NZ000001 |
| | 90 | 26 | 28.2 | 26.3 | JB5630AWT-H-U30GA0000-NZ000001 | JB5630AWT-H-U30EA0000-NZ000001 |
| 2700 K | 70 | 32 | 34.5 | 32.2 | JB5630AWT-H-B27GA0000-NZ000001 | JB5630AWT-H-B27EA0000-NZ000001 |
| | 80 | 30 | 33.0 | 30.8 | JB5630AWT-H-H27GA0000-NZ000001 | JB5630AWT-H-H27EA0000-NZ000001 |
| | 90 | 24 | 27.0 | 25.2 | JB5630AWT-H-U27GA0000-NZ000001 | JB5630AWT-H-U27EA0000-NZ000001 |

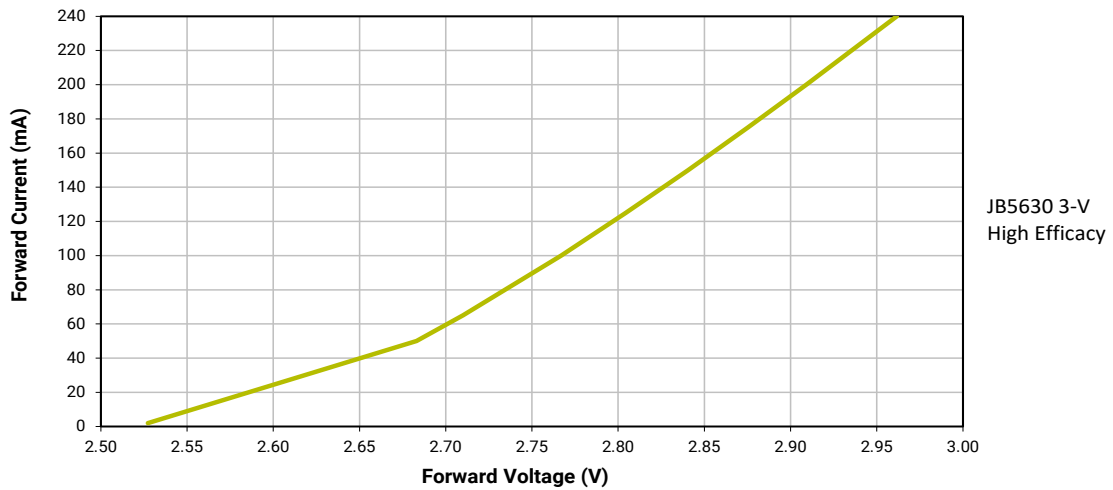
Notes:

- Cree Venture maintains a tolerance of $\pm 7\%$ on flux and power measurements, ± 0.005 on chromaticity (CCx, CCy) measurements and ± 2 on CRI measurements. See the Measurements section (page 25).
- Cree Venture J Series 5630 LED order codes specify only a minimum flux bin and not a maximum. Cree Venture may ship reels in flux bins higher than the minimum specified by the order code without advance notice. Shipments will always adhere to the chromaticity restrictions specified by the order code.
- \diamond CRI R9 minimum is 0 for 80 CRI minimum LEDs and 50 for 90 CRI minimum LEDs, with a ± 3 tolerance.
- * Flux values @ 85 °C are calculated and for reference only.
- ** Contact your Cree sales representative for kitted 3-step order code details.

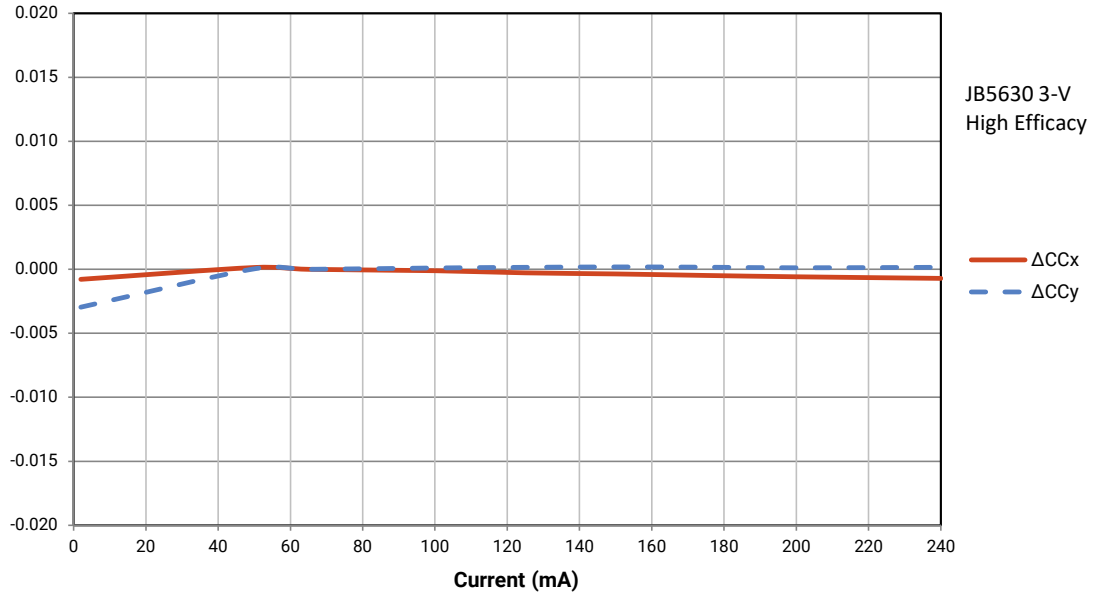
RELATIVE LUMINOUS FLUX VS. CURRENT - JB5630 3-V HIGH EFFICACY



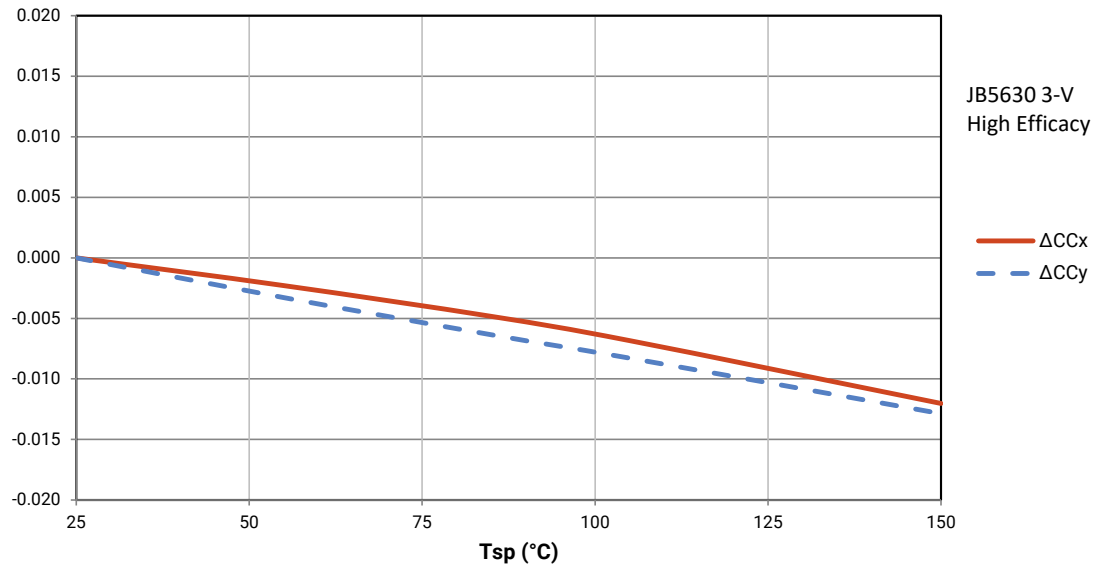
ELECTRICAL CHARACTERISTICS - JB5630 3-V HIGH EFFICACY



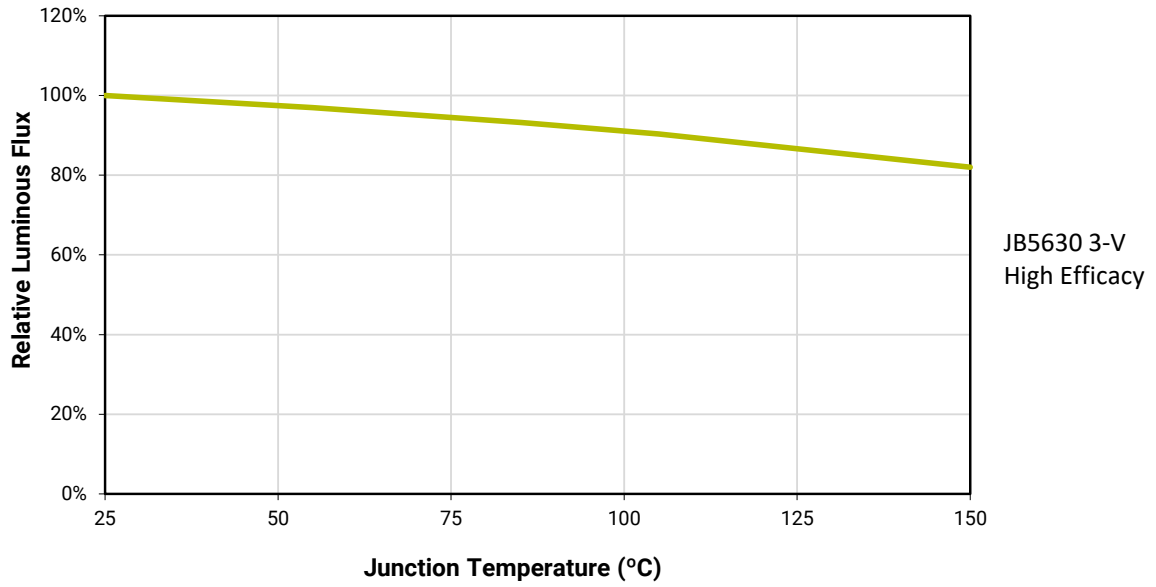
RELATIVE CHROMATICITY VS. CURRENT - JB5630 3-V HIGH EFFICACY



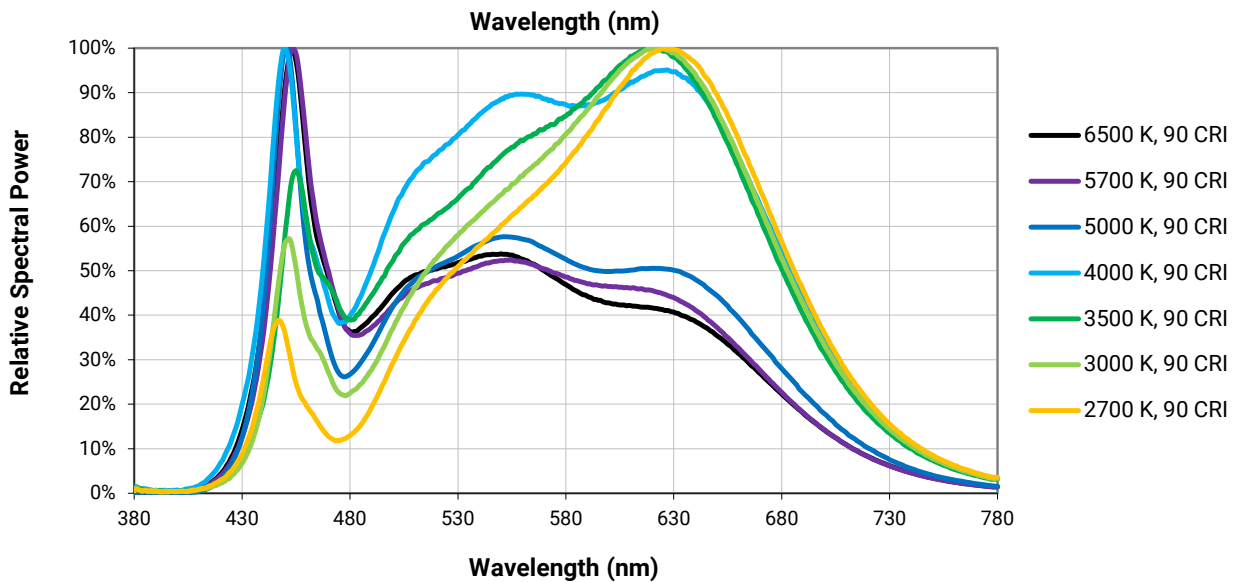
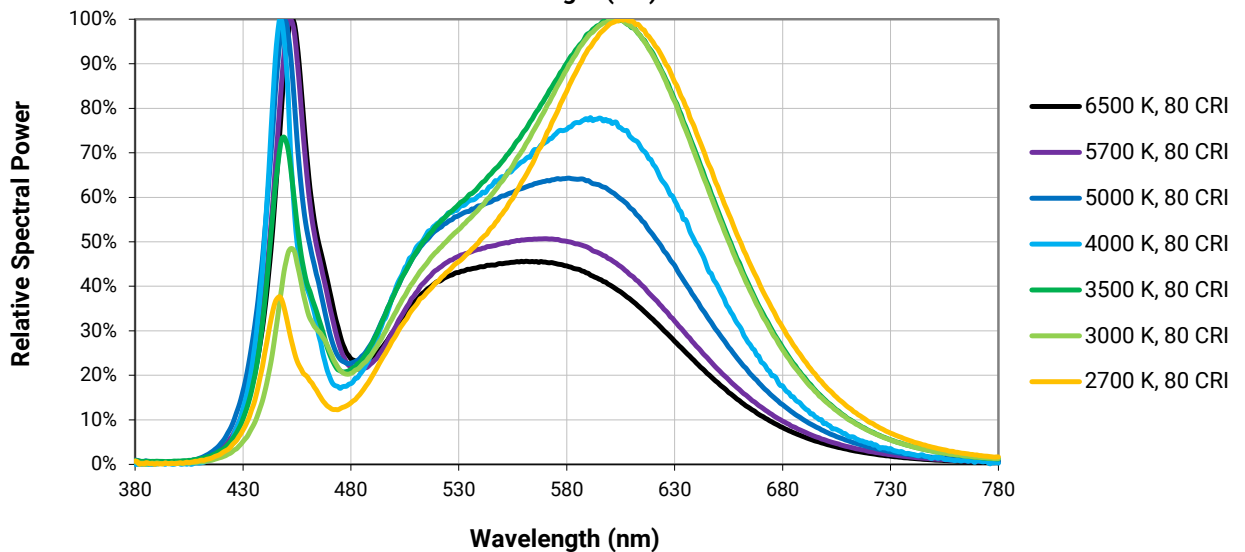
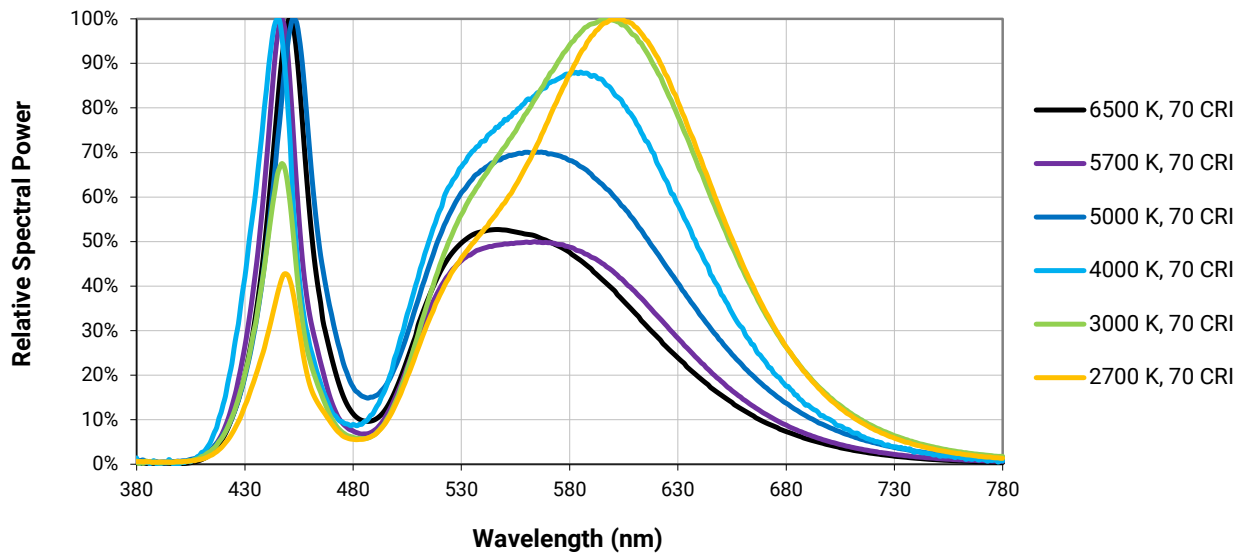
RELATIVE CHROMATICITY VS. TEMPERATURE - JB5630 3-V HIGH EFFICACY



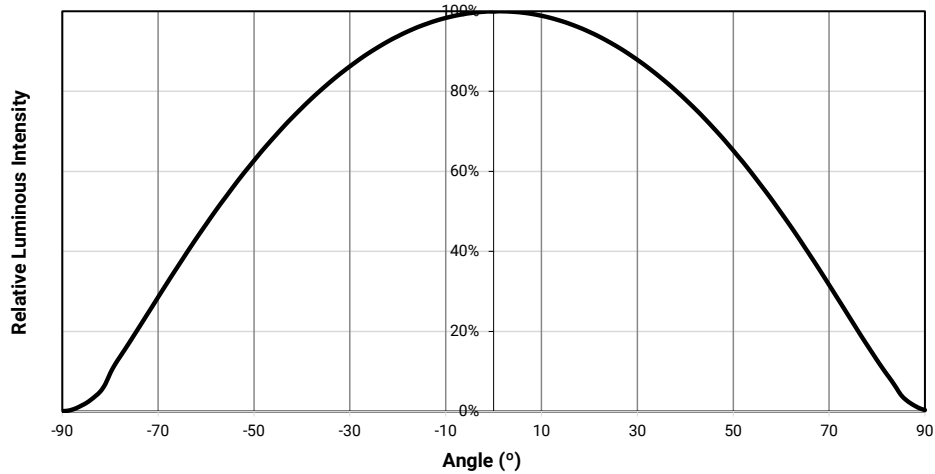
RELATIVE LUMINOUS FLUX VS. JUNCTION TEMPERATURE - JB5630 3-V HIGH EFFICACY



RELATIVE SPECTRAL POWER DISTRIBUTION



TYPICAL SPATIAL DISTRIBUTION



PERFORMANCE GROUPS - LUMINOUS FLUX (T_j = 25 °C)

J Series JB5630 LEDs are tested for luminous flux at 65 mA and placed into one of the following luminous-flux groups.

| Group Code | Minimum Luminous Flux (lm) | Maximum Luminous Flux (lm) |
|------------|----------------------------|----------------------------|
| C4 | 24 | 26 |
| C5 | 26 | 28 |
| D2 | 28 | 30 |
| D3 | 30 | 32 |
| D4 | 32 | 34 |
| D5 | 34 | 36 |
| E2 | 36 | 38 |
| E3 | 38 | 40 |
| E4 | 40 | 42 |

PERFORMANCE GROUPS - FORWARD VOLTAGE (T_j = 25 °C)

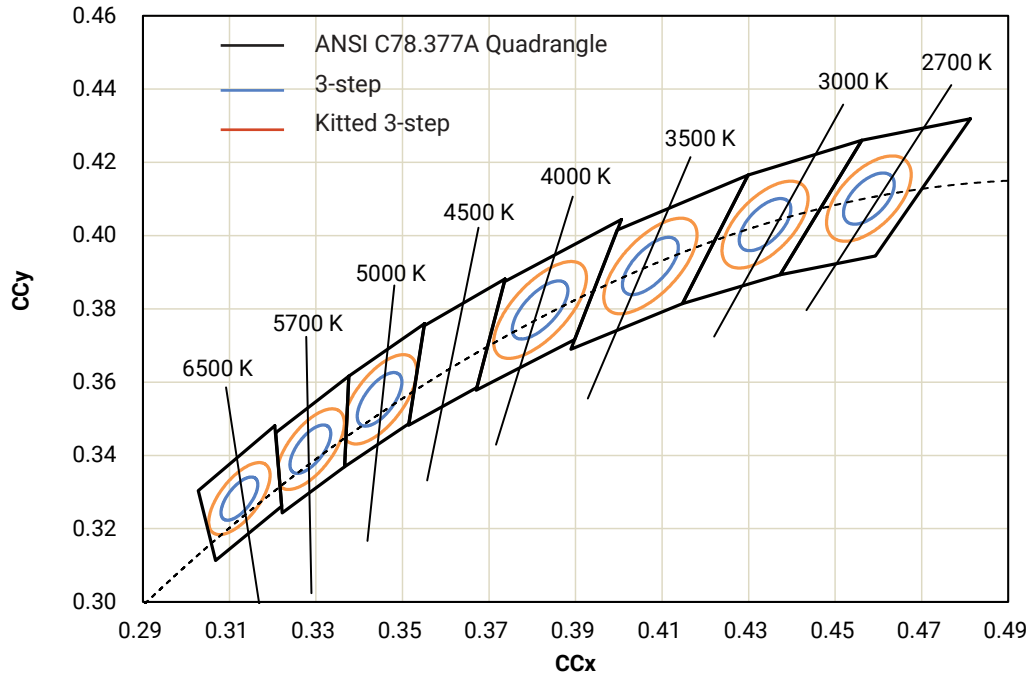
J Series 5630 LEDs are tested for forward voltage and placed into one of the following voltage bins.

The following voltage bins are indicated in the Forward Voltage Bin field in the bin code for JB5630 LEDs.

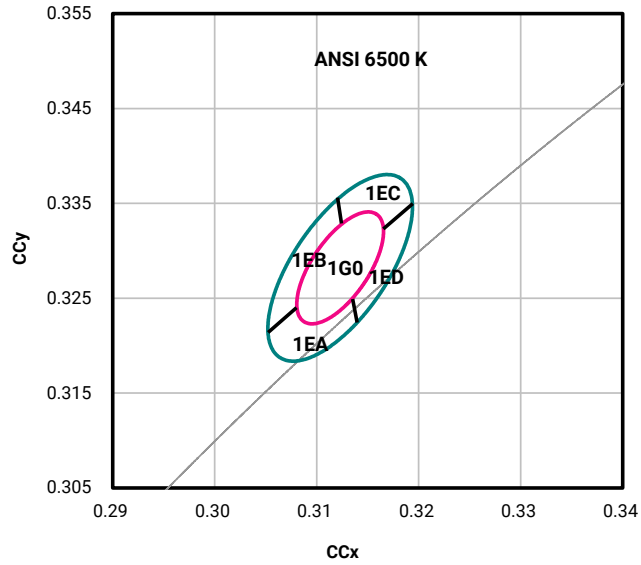
| Voltage Bin | Minimum Forward Voltage (V) | Maximum Forward Voltage (V) |
|-------------|-----------------------------|-----------------------------|
| AC | 2.6 | 2.7 |
| AD | 2.7 | 2.8 |
| AE | 2.8 | 2.9 |
| AF | 2.9 | 3.0 |

PERFORMANCE GROUPS - CHROMATICITY ($T_j = 25\text{ }^\circ\text{C}$)

J Series 5630 LEDs are tested for chromaticity and placed into one of the regions defined by the following bounding coordinates.

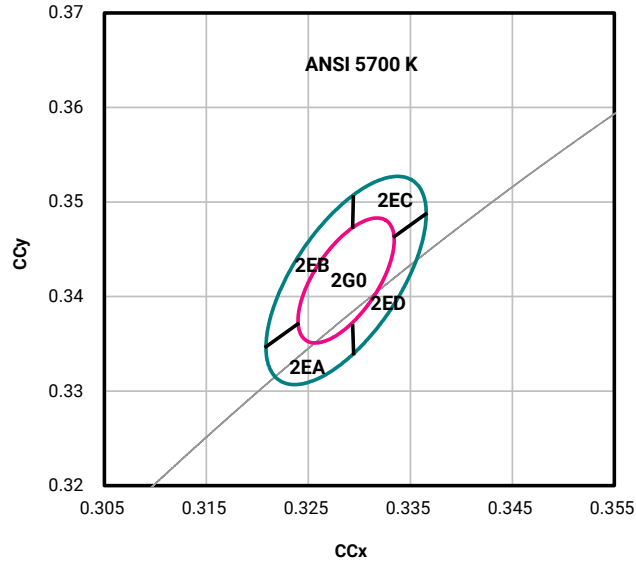


PERFORMANCE GROUPS - CHROMATICITY - CONTINUED ($T_j = 25\text{ }^\circ\text{C}$)



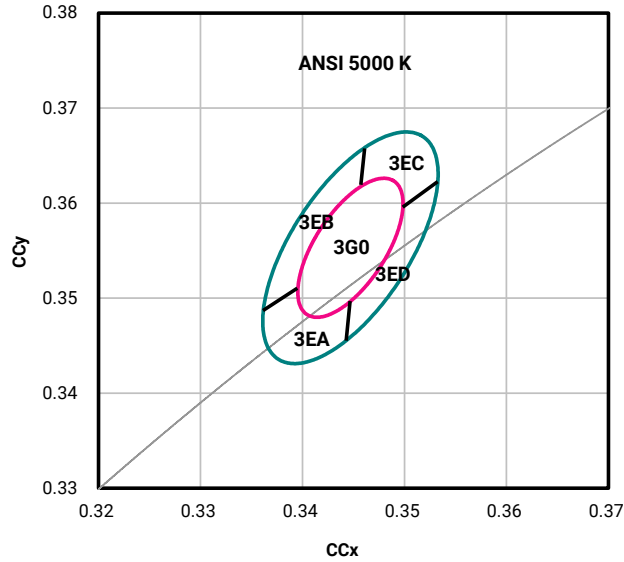
| CCT | MacAdam Ellipse | Included Bins | Center Point | | Major Axis | Minor Axis | Rotation Angle (°) |
|--------|-----------------|-------------------------|--------------|--------|------------|------------|--------------------|
| | | | x | y | a | b | |
| 6500 K | 3-step | 1G0 | 0.3123 | 0.3282 | 0.00669 | 0.00285 | 58.57 |
| | Kitted 3-step | 1G0, 1EA, 1EB, 1EC, 1ED | 0.3123 | 0.3282 | 0.01115 | 0.00475 | 58.57 |

PERFORMANCE GROUPS - CHROMATICITY - CONTINUED ($T_j = 25\text{ }^\circ\text{C}$)



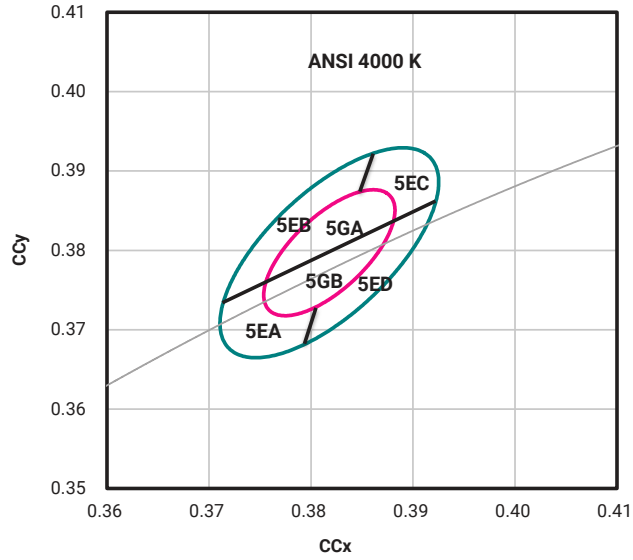
| CCT | MacAdam Ellipse | Included Bins | Center Point | | Major Axis | Minor Axis | Rotation Angle (°) |
|--------|-----------------|-------------------------------|--------------|--------|------------|------------|--------------------|
| | | | x | y | a | b | |
| 5700 K | 3-step | 2G0 | 0.3287 | 0.3417 | 0.00746 | 0.00320 | 59.09 |
| | Kitted 3-step | 2G0, 2EA, 2EB, 2EC, 2ED | 0.3287 | 0.3417 | 0.01243 | 0.00533 | 59.09 |

PERFORMANCE GROUPS - CHROMATICITY - CONTINUED ($T_j = 25\text{ }^\circ\text{C}$)



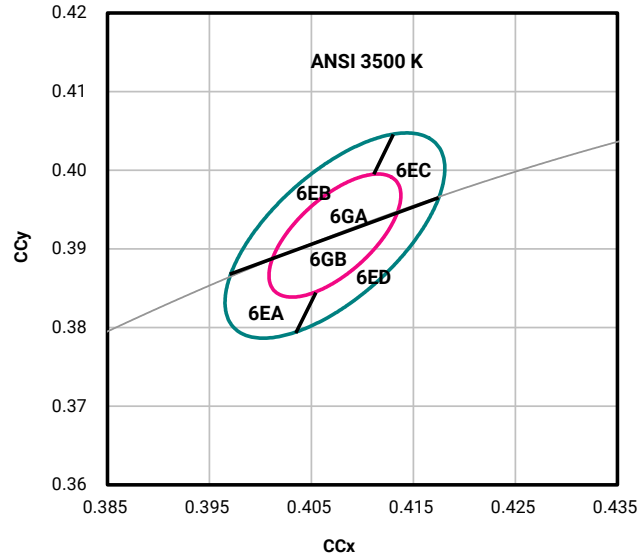
| CCT | MacAdam Ellipse | Included Bins | Center Point | | Major Axis | Minor Axis | Rotation Angle (°) |
|--------|-----------------|-------------------------------|--------------|--------|------------|------------|--------------------|
| | | | x | y | a | b | |
| 5000 K | 3-step | 3G0 | 0.3447 | 0.3553 | 0.00822 | 0.00354 | 59.62 |
| | Kitted 3-step | 3G0, 3EA, 3EB, 3EC, 3ED | 0.3447 | 0.3553 | 0.01370 | 0.00590 | 59.62 |

PERFORMANCE GROUPS - CHROMATICITY - CONTINUED ($T_j = 25\text{ }^\circ\text{C}$)



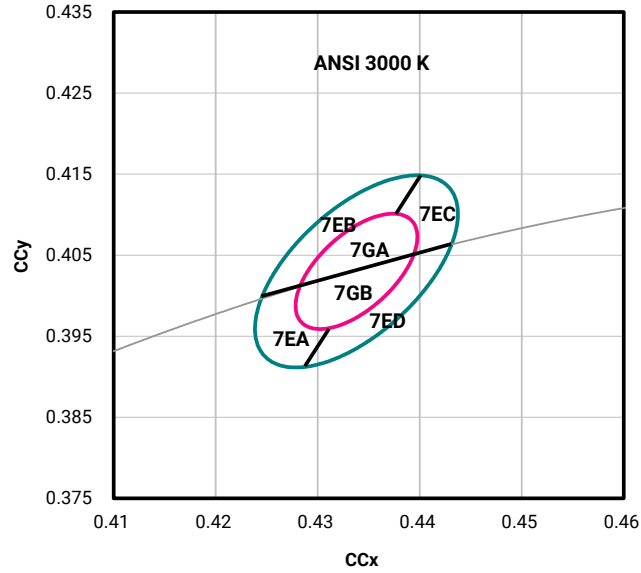
| CCT | MacAdam Ellipse | Included Bins | Center Point | | Major Axis | Minor Axis | Rotation Angle (°) |
|--------|-----------------|------------------------------|--------------|--------|------------|------------|--------------------|
| | | | x | y | a | b | |
| 4000 K | 3-step | 5GA, 5GB | 0.3818 | 0.3797 | 0.00939 | 0.00402 | 53.72 |
| | Kitted 3-step | 5GA, 5GB, 5EA, 5EB, 5EC, 5ED | 0.3818 | 0.3797 | 0.01565 | 0.00670 | 53.72 |

PERFORMANCE GROUPS - CHROMATICITY - CONTINUED ($T_j = 25\text{ }^\circ\text{C}$)



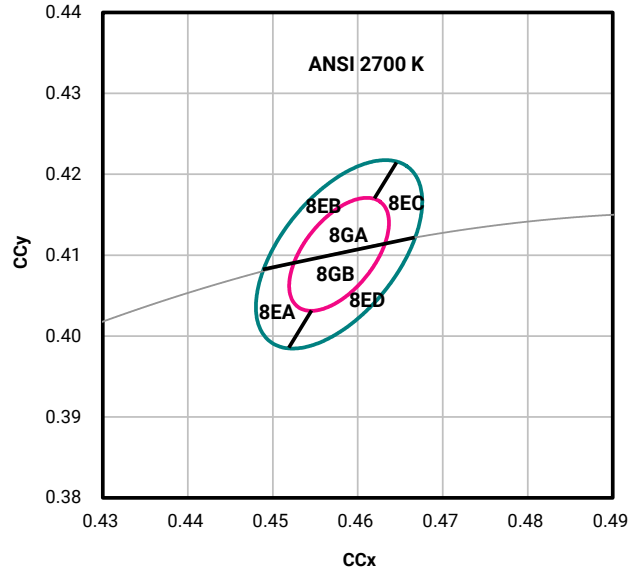
| CCT | MacAdam Ellipse | Included Bins | Center Point | | Major Axis | Minor Axis | Rotation Angle (°) |
|--------|-----------------|------------------------------|--------------|--------|------------|------------|--------------------|
| | | | x | y | a | b | |
| 3500 K | 3-step | 6GA, 6GB | 0.4073 | 0.3917 | 0.00927 | 0.00414 | 54.00 |
| | Kitted 3-step | 6GA, 6GB, 6EA, 6EB, 6EC, 6ED | 0.4073 | 0.3917 | 0.01545 | 0.00690 | 54.00 |

PERFORMANCE GROUPS - CHROMATICITY - CONTINUED ($T_j = 25\text{ }^\circ\text{C}$)



| CCT | MacAdam Ellipse | Included Bins | Center Point | | Major Axis | Minor Axis | Rotation Angle (°) |
|--------|-----------------|-----------------------------------|--------------|--------|------------|------------|--------------------|
| | | | x | y | a | b | |
| 3000 K | 3-step | 7GA, 7GB | 0.4338 | 0.4030 | 0.00834 | 0.00408 | 53.22 |
| | Kitted 3-step | 7GA, 7GB, 7EA, 7EB 7EC, 7ED | 0.4338 | 0.4030 | 0.01390 | 0.00680 | 53.22 |

PERFORMANCE GROUPS - CHROMATICITY - CONTINUED ($T_j = 25\text{ °C}$)

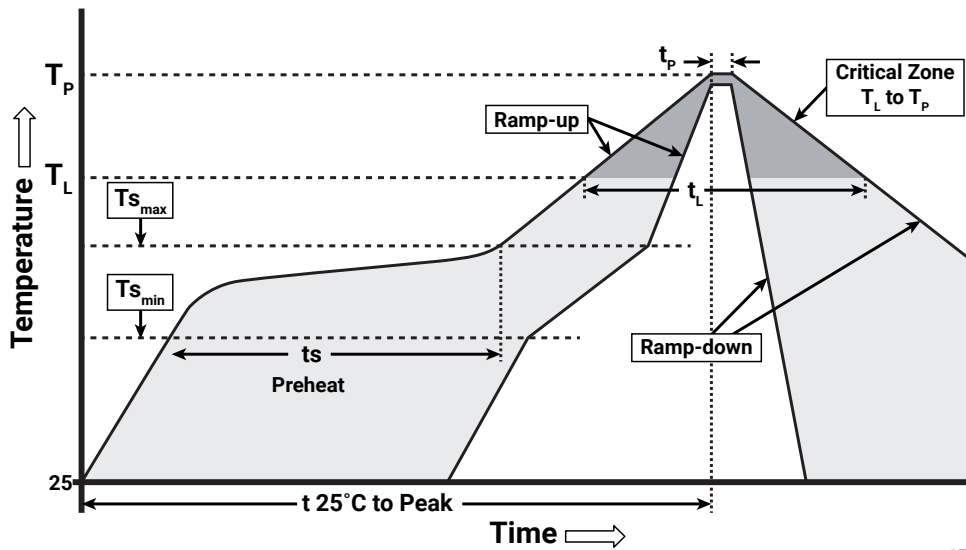


| CCT | MacAdam Ellipse | Included Bins | Center Point | | Major Axis | Minor Axis | Rotation Angle (°) |
|--------|-----------------|------------------------------|--------------|--------|------------|------------|--------------------|
| | | | x | y | a | b | |
| 2700 K | 3-step | 8GA, 8GB | 0.4578 | 0.4101 | 0.00810 | 0.00420 | 53.70 |
| | Kitted 3-step | 8GA, 8GB, 8EA, 8EB, 8EC, 8ED | 0.4578 | 0.4101 | 0.01350 | 0.00700 | 53.70 |

REFLOW SOLDERING CHARACTERISTICS

In testing, Cree Venture has found J Series 5630 LEDs to be compatible with JEDEC J-STD-020C, using the parameters listed below. As a general guideline, Cree Venture recommends that users follow the recommended soldering profile provided by the manufacturer of the solder paste used, and therefore it is the lamp or luminaire manufacturer’s responsibility to determine applicable soldering requirements.

Note that this general guideline may not apply to all PCB designs and configurations of reflow soldering equipment.



IPC/JEDEC J-STD-020C

| Profile Feature | Lead-Free Solder |
|--|------------------|
| Temperature Min. ($T_{s_{min}}$) | 150 °C |
| Temperature Max. ($T_{s_{max}}$) | 200 °C |
| Time (t_s) from $T_{s_{min}}$ to $T_{s_{max}}$ | 60-120 seconds |
| Ramp-Up Rate (T_L to T_p) | 3 °C/second |
| Liquidus Temperature (T_L) | 217 °C |
| Time (t_L) Maintained Above T_L | 60-150 seconds |
| Peak Package Body Temperature (T_p) | 260 °C max. |
| Time (t_p) Within 5 °C of the Specified Classification Temperature (T_c) | 30 seconds max. |
| Ramp-Down Rate (T_p to T_L) | 6 °C/second max. |
| Time 25 °C to Peak Temperature | 8 minutes max. |

Note: All temperatures refer to the topside of the package, measured on the package body surface.

NOTES

Measurements

The luminous flux, radiant power, chromaticity, forward voltage and CRI measurements in this document are binning specifications only and solely represent product measurements as of the date of shipment. These measurements will change over time based on a number of factors that are not within Cree Venture’s control and are not intended or provided as operational specifications for the products. Calculated values are provided for informational purposes only and are not intended or provided as specifications.

Pre-Release Qualification Testing

Please read the [J Series Reliability Overview](#) for the details of the pre-release qualification testing for J Series LEDs

Lumen Maintenance

Cree Venture uses standardized IES LM-80-08 and TM-21-11 methods for collecting long-term data and extrapolating LED lumen maintenance. For information on the specific LM-80 data sets available for this LED, refer to the public [J Series LM-80 results document](#).

Please read the [Thermal Management application note](#) for details on how thermal design, ambient temperature, and drive current affect the LED junction temperature.

Moisture Sensitivity

Cree Venture recommends keeping J Series 5630 LEDs in the provided, resealable moisture-barrier packaging (MBP) until immediately prior to soldering. Unopened MBP that contains J Series 5630 High-Efficacy LEDs does not need special storage for moisture sensitivity.

Once the MBP is opened, J Series 5630 LEDs should be handled and stored as MSL 3 per JEDEC J-STD-033, meaning they have limited exposure time before damage to the LED may occur during the soldering operation. The table on the right specifies the maximum exposure time in days depending on temperature and humidity conditions. LEDs with exposure time longer than the specified maximums must be baked according to the baking conditions listed below.

| Moisture Sensitivity Level | Temp. | Maximum Percent Relative Humidity | | | | |
|----------------------------|-------|-----------------------------------|-----|-----|-----|-----|
| | | 50% | 60% | 70% | 80% | 90% |
| Level 3 | 35 °C | 8 | 5 | 1 | 0.5 | 0.5 |
| Level 3 | 30 °C | 11 | 7 | 1 | 1 | 1 |
| Level 3 | 25 °C | 14 | 10 | 2 | 1 | 1 |
| Level 3 | 20 °C | 20 | 13 | 2 | 1 | 1 |

Baking Conditions

It is not necessary to bake all J Series 5630 LEDs. Only the LEDs that meet all of the following criteria must be baked:

1. LEDs that have been removed from the original MBP.
2. LEDs that have been exposed to a humid environment longer than listed in the Moisture Sensitivity section above.
3. LEDs that have not been soldered.

LEDs should be baked at 60 °C for 24 hours. LEDs may be baked in the original reels. Remove LEDs from the MBP before baking. Do not bake parts at temperatures higher than 60 °C. This baking operation resets the exposure time as defined in the Moisture Sensitivity section above.

NOTES - CONTINUED

RoHS Compliance

The levels of RoHS restricted materials in this product are below the maximum concentration values (also referred to as the threshold limits) permitted for such substances, or are used in an exempted application, in accordance with EU Directive 2011/65/EC (RoHS2), as implemented January 2, 2013. RoHS Declarations for this product can be obtained from your Cree Venture representative or from the [Product Ecology](#) section of the Cree website.

REACH Compliance

REACH substances of very high concern (SVHCs) information is available for this product. Since the European Chemical Agency (ECHA) has published notice of their intent to frequently revise the SVHC listing for the foreseeable future, please contact a Cree representative to insure you get the most up-to-date REACH SVHC Declaration. REACH banned substance information (REACH Article 67) is also available upon request.

UL® Recognized Component

This product meets the requirements to be considered a UL Recognized Component with Level 4 enclosure consideration. The LED package or a portion thereof has been investigated as a fire and electrical enclosure per ANSI/UL 8750.

Vision Advisory

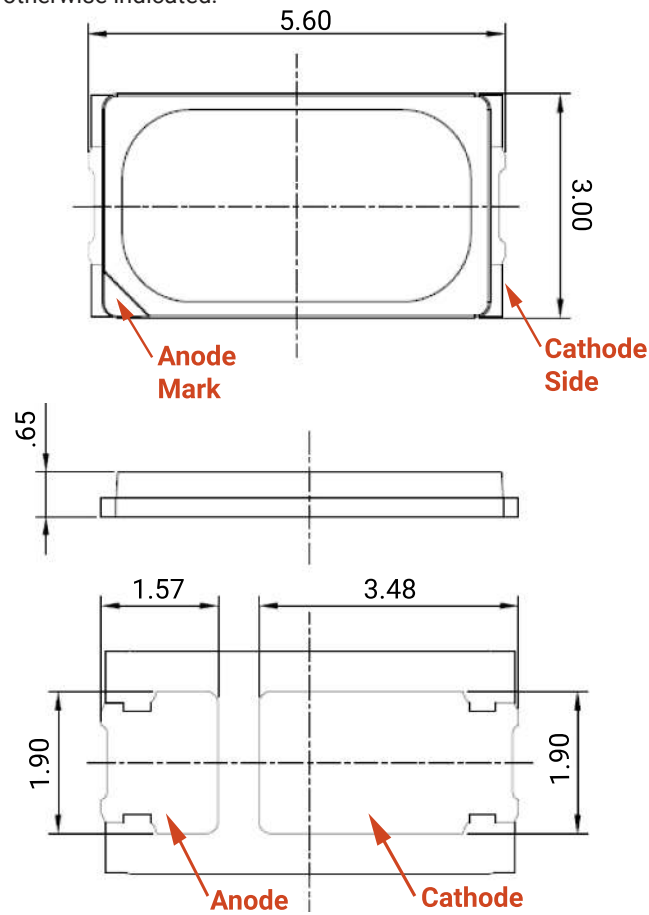
WARNING: Do not look at an exposed lamp in operation. Eye injury can result. For more information about LEDs and eye safety, please refer to the [J Series LED Eye Safety application note](#).

MECHANICAL DIMENSIONS

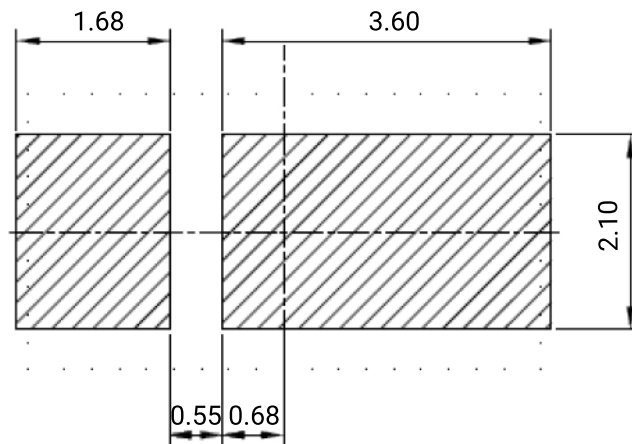
Refer to the next page for mechanical dimensions of parts having bin codes with 06, 16, 0B, or 1B as the last two characters. See CVL-PCN-2001.

Thermal vias, if present, are not shown on these drawings.

All measurements are ±0.2 mm unless otherwise indicated.



All measurements are ±0.1 mm unless otherwise indicated.



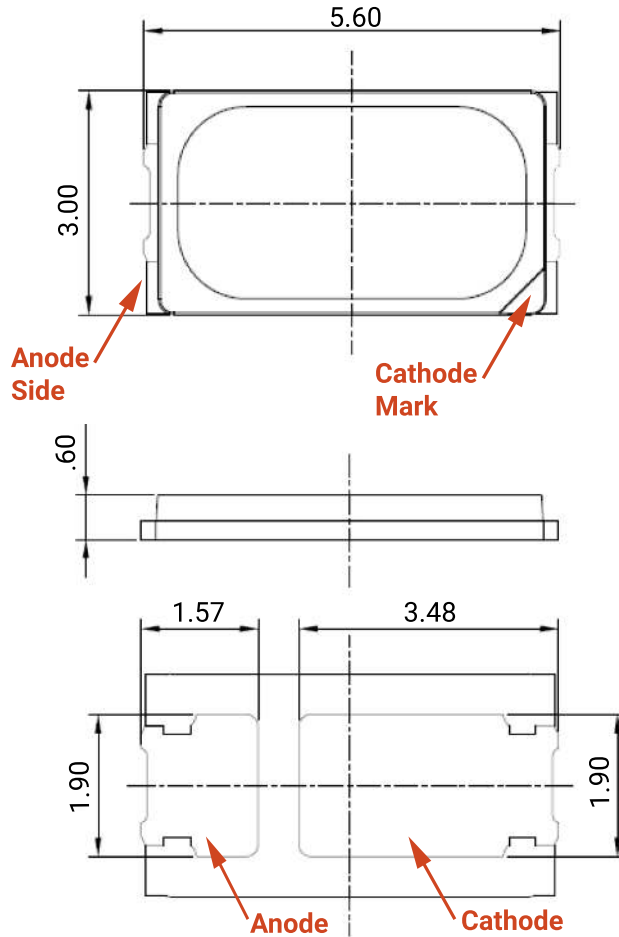
Recommended Solder Pad

MECHANICAL DIMENSIONS - CONTINUED

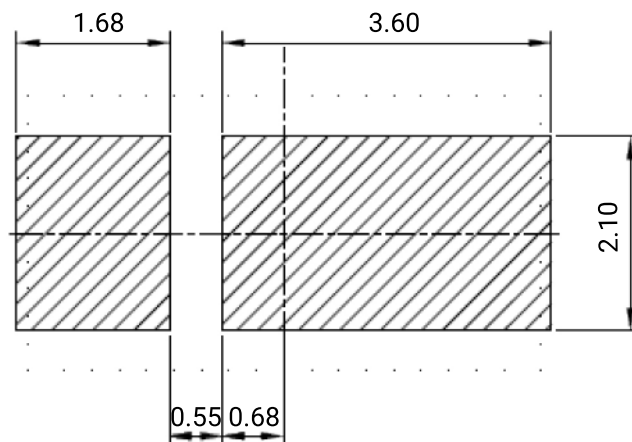
The following drawing is applicable to parts having bin codes with 06, 16, 0B, or 1B as the last two characters.

Thermal vias, if present, are not shown on these drawings.

All measurements are ±0.2 mm unless otherwise indicated.



All measurements are ±0.1 mm unless otherwise indicated.

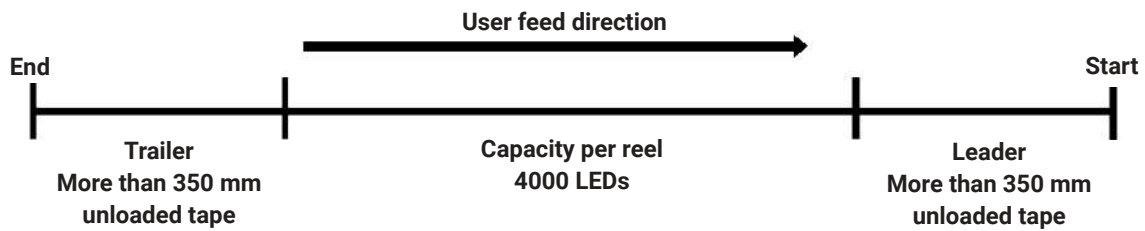
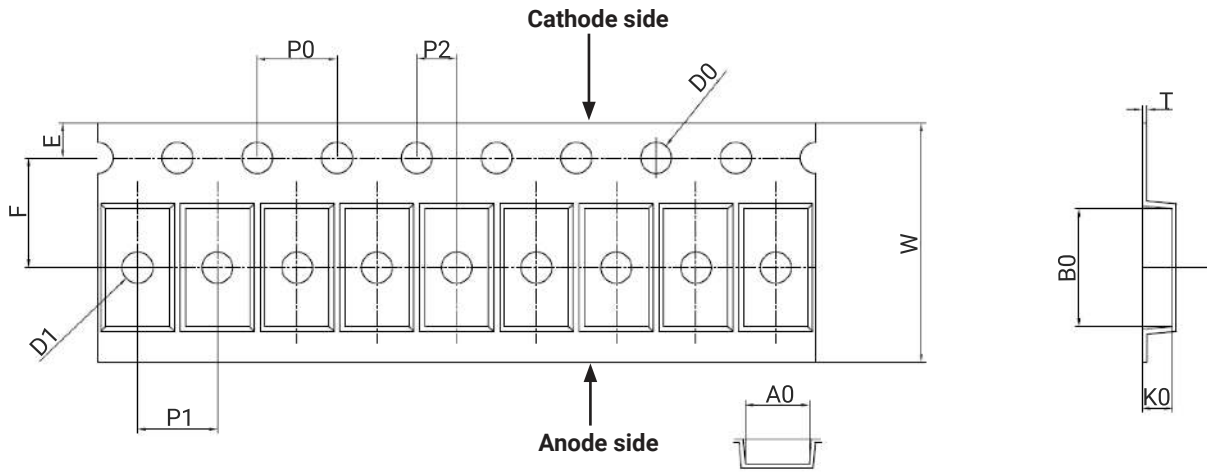


Recommended Solder Pad

TAPE & REEL

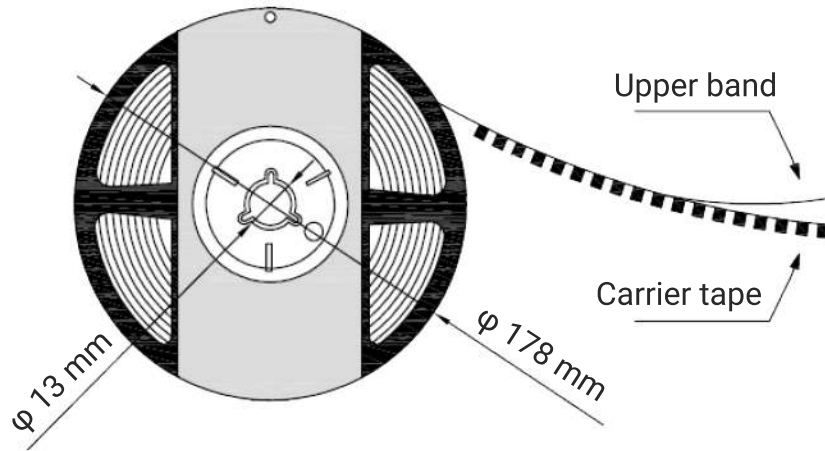
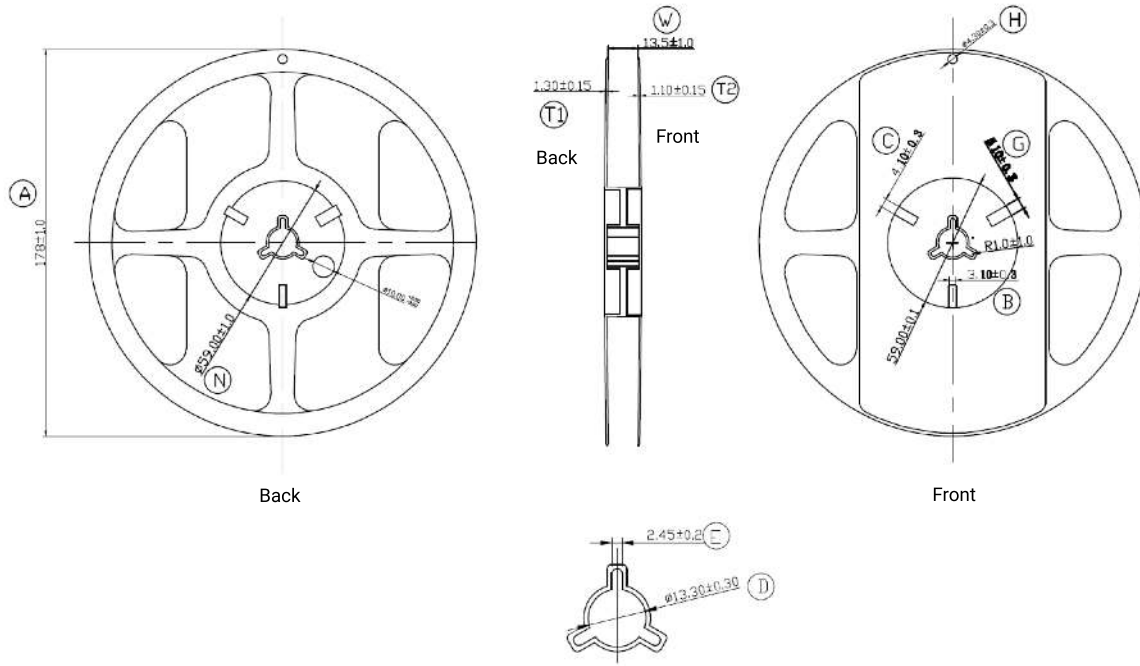
All Cree Venture carrier tapes conform to EIA-481D, Automated Component Handling Systems Standard.

All dimensions in mm.



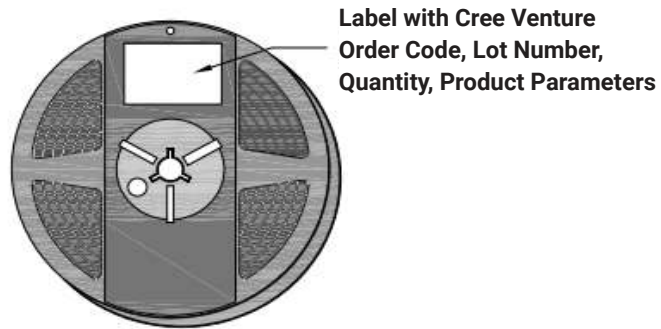
| Symbol | Specification | Symbol | Specification |
|--------|---------------|--------|---------------|
| A0 | 3.25 ± 0.10 | W | 12.00 ± 0.20 |
| B0 | 6.05 ± 0.10 | T | 0.25 ± 0.05 |
| K0 | 1.00 ± 0.10 | E | 1.75 ± 0.10 |
| P0 | 4.00 ± 0.10 | F | 5.50 ± 0.10 |
| P1 | 4.00 ± 0.10 | D0 | 1.50 ± 0.10 |
| P2 | 2.0 ± 0.1 | D1 | 1.50 ± 0.10 |

TAPE & REEL - CONTINUED

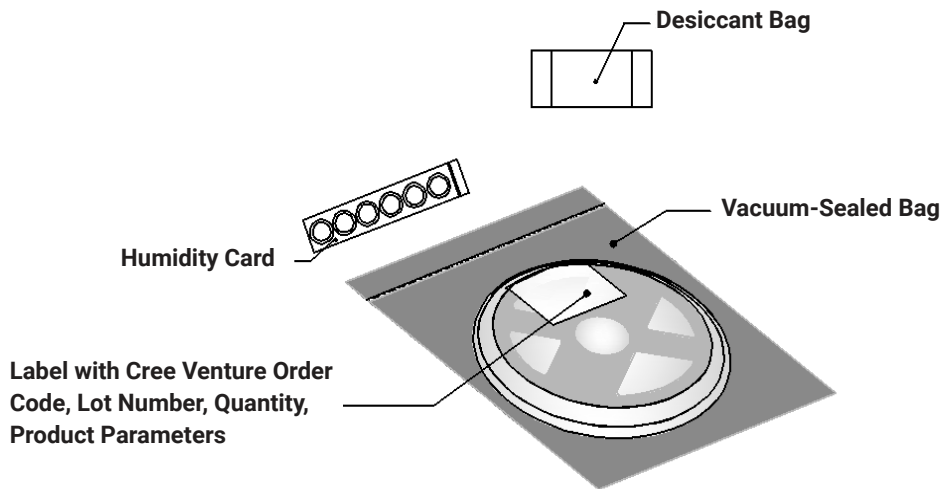


PACKAGING

Unpackaged Reel



Packaged Reel



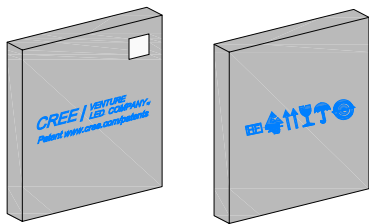
PACKAGING - CONTINUED

J Series 2835 LEDs are packaged in boxes for shipment. Box sizes and the number of reels per box are as follows.

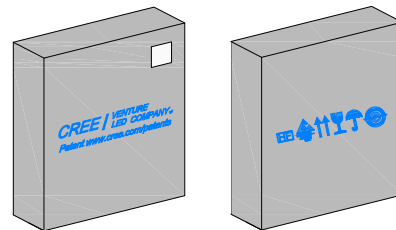
| Box | Box Dimensions | Maximum Number of Reels per Box |
|-----|--------------------|---------------------------------|
| 1 | 250 x 210 x 30 mm | 2 |
| 2 | 250 x 210 x 50 mm | 4 |
| 3 | 530 x 230 x 275 mm | 32 |
| 4 | 530 x 443 x 275 mm | 64 |

Each box has at least one label (shown as a white square in the diagrams below) showing the order code, lot number, quantity, and product parameters.

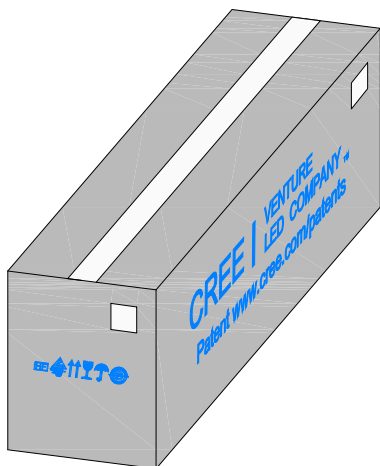
Box 1



Box 2



Box 3



Box 4

