

CMF



CANTHERM

Supplying high-quality bimetal and thermal sensor products.



Chip NTC Thermistors



CANTHERM

Supplying high-quality bimetal and thermal sensor products.

8415 Mountain Sights Avenue • Montreal (Quebec), H4P 2B8, Canada

Tel: (514) 739-3274 • 1-800-561-7207 • Fax: (514) 739-2902 • E-mail: sales@cantherm.com

Website: www.cantherm.com | Division of Microtherm

2014/AUGUST CMF

CMF



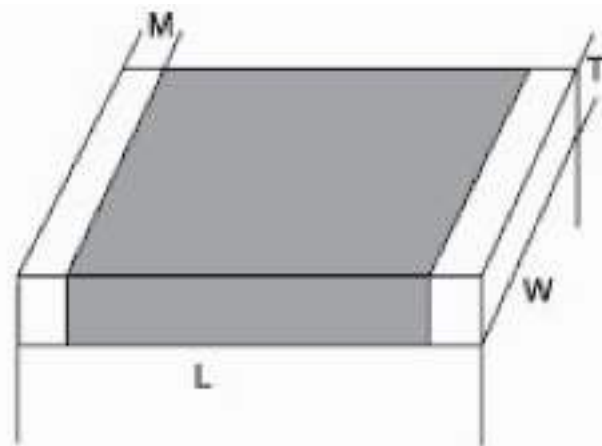
Application

- Temperature compensation of IC, LCD
- Transistor
- Crystal oscillator of mobile communications equipments
- Temperature sensor for rechargeable batteries
- Temperature sensor for CPU
- Temperature compensation of several kinds of circuits

Characteristics

- Miniature size
- No lead
- Ideal for high density SMT installation
- Superior solderability and resistance to soldering heat
- Ideal for wave or reflow soldering

Dimensions (mm)



Size	L (Length)	W (Width)	T (Thickness)	M (Width of termination Point)
0402 (1005)	.04± .006 (1.0± 0.15)	.02± .004 (0.5± 0.10)	.024 max (0.60 max)	0.004 min (0.10 min)
0603 (1608)	.063± .006 (1.6± 0.15)	.031± .006 (0.8± 0.15)	.037 max (0.95 max)	.004 max (0.10 max)
0805 (2012)	.08± .008 (2.0± 0.20)	.05± .008 (1.25± 0.2)	.05 max (1.25 max)	.006 max (0.15 max)
1206 (3216)	.126± .008 (3.2± 0.20)	.063± .008 (1.6± 0.20)	.063 max (1.6 max)	.008 max (0.20 max)

Part Numbering

CMF	B		3950		103		J		N		T	
Chip NTC thermistor	Size Code		B-value (25/85°C)		Resistance at 25°C (Ω)		Tolerance		Termination		Packaging	
	Code	Inches			103	10x10 ³	F	±1%	P	Pd	B	Bulk
	C	1206			104	10x10 ⁴	G	±2%	N	Nickel Barrier	T	Tape & Reel
	B	0805					H	±3%				
	A	0603					J	±4%				
	X	0402					K	±10%				

0402 Series

Part No.	Resistance at 25°C (KΩ)	B-Constant (25/85°C (K))
CMFX3950103_	10	3950
CMFX4050473_	47	4050
CMFX4050104_	100	4050

0603 Series

Part No.	Resistance at 25°C (KΩ)	B-Constant (25/85°C (K))
CMFA3450103_	10	3450
CMFA3970103_	10	3970
CMFA3900223_	22	3900
CMFA3950473_	47	3950
CMFA3950104_	100	3950
CMFA3950224_	220	3950
CMFA3550103_	10	3550
CMFA3950683_	68	3950
CMFA4100564_	560	4100

0805 Series

Part No.	Resistance at 25°C (KΩ)	B-Constant (25/85°C (K))
CMFB3435472_	4.7	3435
CMFB3435103_	10	3435
CMFB3550103_	10	3550
CMFB3900223_	22	3900
CMFB4000473_	47	4000
CMFB4000104_	100	4000
CMFB3970103_	10	3970
CMFB3200202_	2	3200
CMFB3650153_	15	3650
CMFB4050333_	33	4050

1206 Series

Part No.	Resistance at 25°C (KΩ)	B-Constant (25/85°C (K))
CMFC3200221_	0.22	3200
CMFC3200331_	0.33	3200
CMFC3250471_	0.47	3250
CMFC3350102_	1.0	3350
CMFC3400222_	2.2	3400
CMFC3400332_	3.3	3400
CMFC3400472_	4.7	3400
CMFC3400682_	6.8	3400
CMFC3500103_	10	3500
CMFC3900103_	10	3900
CMFC3900153_	15	3900
CMFC3950223_	22	3950
CMFC4000333_	33	4000
CMFC4100473_	47	4100
CMFC4100683_	68	4100
CMFC4200104_	100	4200
CMFC4300224_	220	4300