

MATERIALS & SPECIFICATIONS

| | | | | | |
|----------|------------|-----|-------|----------|-----|
| PART NO. | A22037-001 | REV | ECO | DATE | APP |
| | | B | 96708 | 05-06-10 | TLM |

INSULATOR:

LIQUID CRYSTAL POLYMER (LCP) PER ASTM D5138.

CONTACT:

COPPER ALLOY PER MIL-DTL-83513. GOLD PLATE PER ASTM B488, (HARD GOLD) TYPE II CODE C, CLASS 1.27

TERMINATION:

SOLDER COATED WITH SN63A PER J-STD-006.

CURRENT CAPACITY:

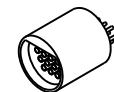
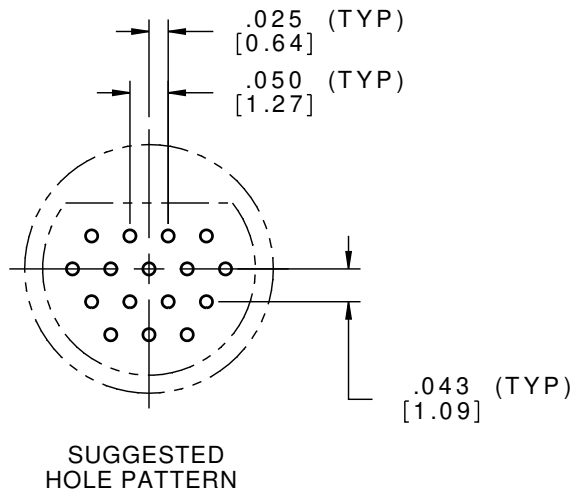
3 AMP MAX.

CONTACT RESISTANCE:

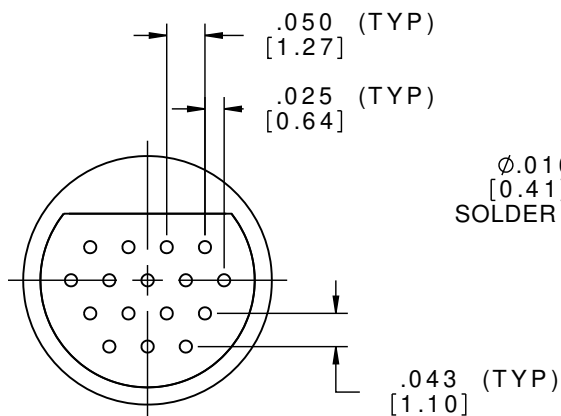
26 MILLIOHMS (65mV) MAX @ 2.5 AMPS.

PERFORMANCE:

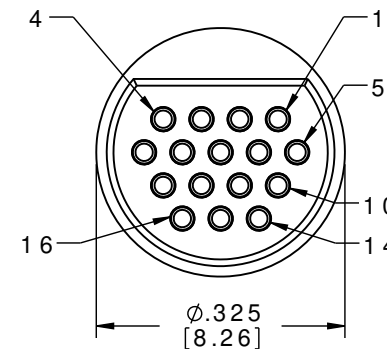
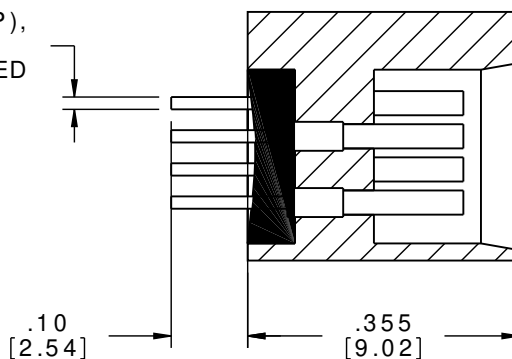
PRODUCT FAMILY TESTED TO AND PASSED THE PERFORMANCE SPECIFICATIONS OF TABLE VII OF MIL-DTL-83513.



ACTUAL SIZE



Ø.016 (TYP), [0.41]
SOLDER COATED



REF: OMNETICS

| | | | | | | | |
|-------------|--|---|---------------|---|---|--------------------|------------|
| MCS SLDW | THIRD ANGLE | THIS DRAWING CONTAINS CONFIDENTIAL AND PROPRIETARY INFORMATION WHICH IS THE PROPERTY OF OMNETICS CONNECTOR CORPORATION. THIS DOCUMENT MAY NOT, IN WHOLE OR IN PART, BE DUPLICATED, OR DISCLOSED FOR ANY PURPOSE, WITHOUT WRITTEN PERMISSION FROM OMNETICS CONNECTOR CORP. | | CONNECTOR CORPORATION 7260 COMMERCE CIRCLE EAST MINNEAPOLIS, MN 55432 WWW.OMNETICS.COM | CAGE CODE 61873 | | |
| | -TOLERANCES- UNLESS OTHERWISE NOTED | DFTM. TLM | DATE 01-04-08 | | TITLE: | DWG NO. A22037-001 | |
| | DIMENSIONS IN INCHES | CHK'D. | DATE | | (16) SOCKET FEMALE MICRO CIRCULAR CONNECTOR | SHEET 1 OF 1 | |
| | 2 PL DEC ± .01 3 PL DEC ± .005 4 PL DEC ± .0005 ANGLES ± 1° | APP'D. | DATE | | | REV B | SCALE: 4:1 |