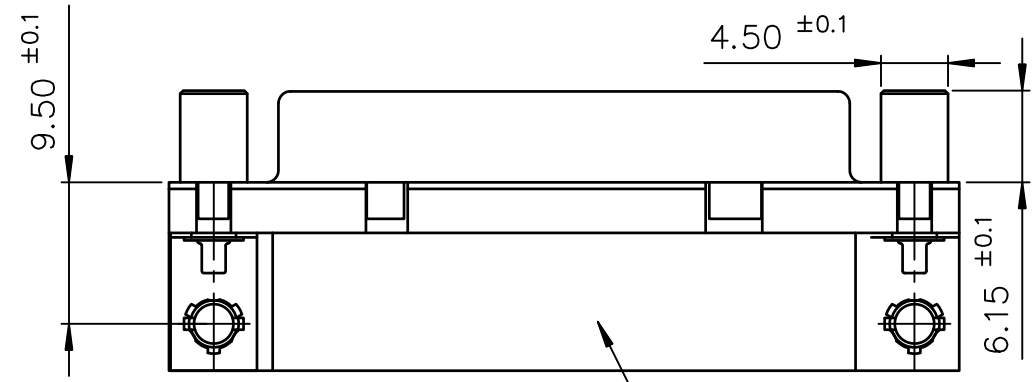
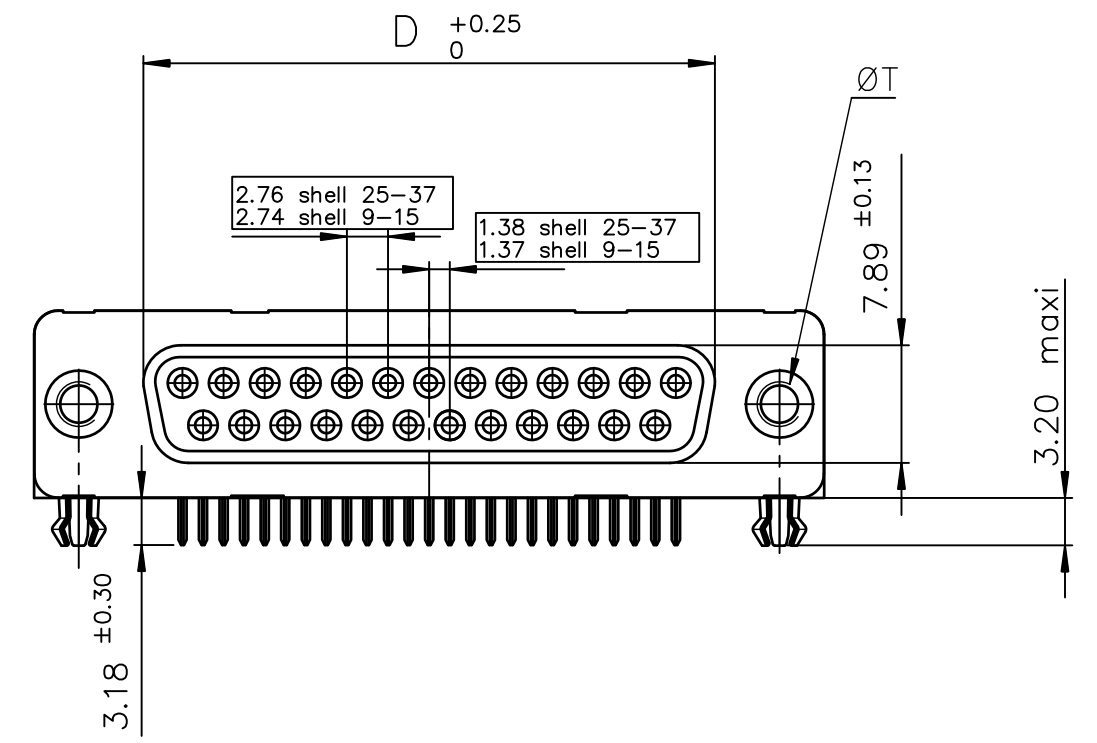
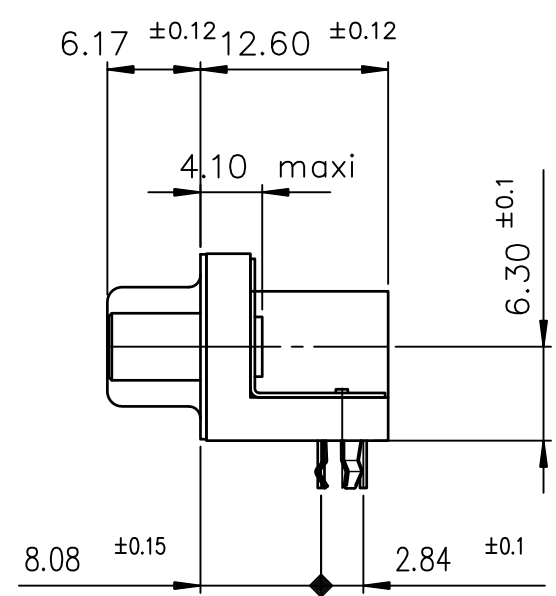
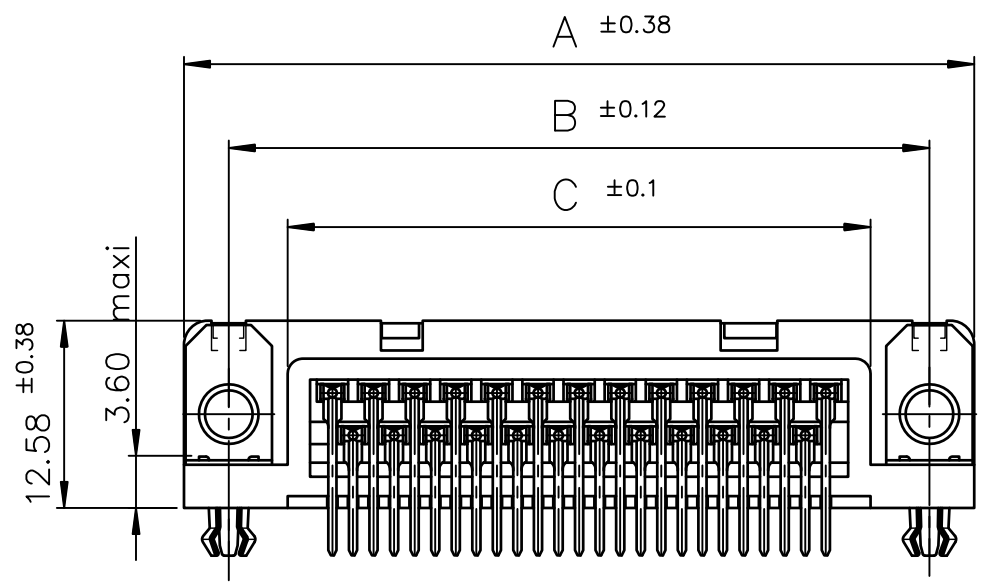




FCIconnect.com

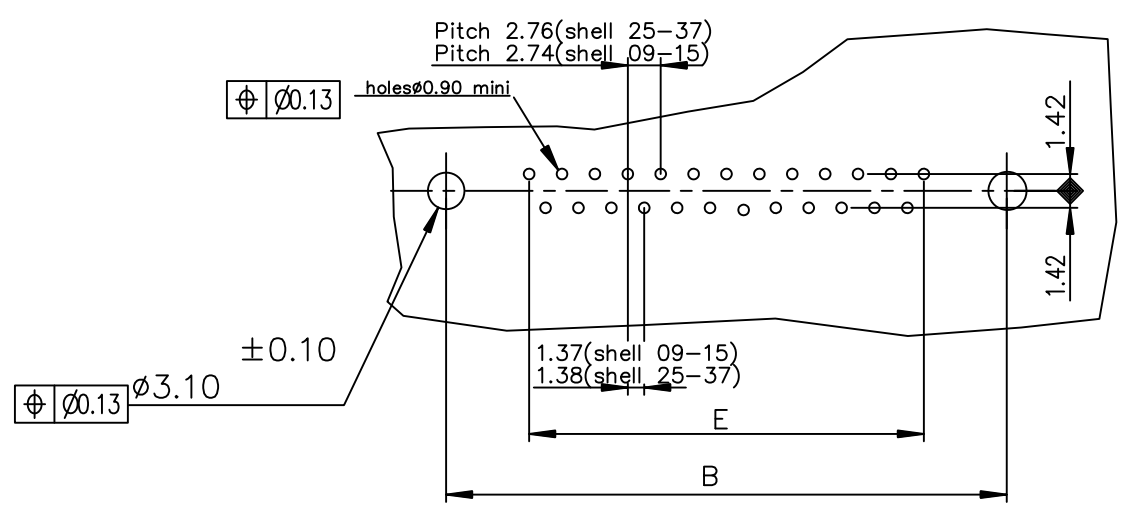
Copyright FCI

D



Part Number & Date Code Printing

PC card drilling dimensions(after plating)
(thickness $1.60 \pm 0.20 \text{mm}$)



TIN LEAD PART NUMBER									
SHELL	A±0.38	B±0.12	C±0.10	D±0.25	E±0.07	Gold flash		0.76 μ gold	
09	30.81	24.99	16.96	16.21	10.96	D09S33E4GV00	D09S33E4GI00	D09S33E6GV00	D09S33E6GI00
15	39.14	33.32	25.18	24.54	19.18	D15S33E4GV00	D15S33E4GI00	D15S33E6GV00	D15S33E6GI00
25	53.03	47.04	39.12	38.25	33.12	D25S33E4GV00	D25S33E4GI00	D25S33E6GV00	D25S33E6GI00
37	69.32	63.50	55.68	54.71	49.68	D37S33E4GV00	D37S33E4GI00	D37S33E6GV00	D37S33E6GI00

Threaded $\phi T \text{ M3} = I$
Threaded $\phi T \text{ 4.40} = V$

Threaded $\phi T \text{ M3} = I$
Threaded $\phi T \text{ 4.40} = V$

LEAD FREE PART NUMBER									
SHELL	A±0.38	B±0.12	C±0.10	D±0.25	E±0.07	Gold flash		0.76 μ gold	
09	30.81	24.99	16.96	16.21	10.96	D09S33E4GV00LF	D09S33E4GI00LF	D09S33E6GV00LF	D09S33E6GI00LF
15	39.14	33.32	25.18	24.54	19.18	D15S33E4GV00LF	D15S33E4GI00LF	D15S33E6GV00LF	D15S33E6GI00LF
25	53.03	47.04	39.12	38.25	33.12	D25S33E4GV00LF	D25S33E4GI00LF	D25S33E6GV00LF	D25S33E6GI00LF
37	69.32	63.50	55.68	54.71	49.68	D37S33E4GV00LF	D37S33E4GI00LF	D37S33E6GV00LF	D37S33E6GI00LF

Threaded $\phi T \text{ M3} = I$
Threaded $\phi T \text{ 4.40} = V$

Threaded $\phi T \text{ M3} = I$
Threaded $\phi T \text{ 4.40} = V$

GENERAL CHARACTERISTICS : SEE DRAWING C01-8646-0000

mat'l. code		surface ISO 1302		tolerance ISO 406 ISO 1101		projection		product family	
-		✓						D-SUB	
ltr	ecn no	dr	date	tolerances unless otherwise specified				title	
D	ELX-I-19243	AB	2014-10-29			MM		SOCKET CONNECT. DELTA-D R/A	
				angles	linear			SCREW LOCK, HARPOON & METAL PLATE	
				$0^\circ \pm 2'$	$.00 \pm 0.1$	scale 2:1		dwg no	
				$.00 \pm 0.1$	$.000 \pm 0.1$			sheet 1 of 1	
				dr	JOHN SLEEBA	1993-04-07		size	
				enr	ALIAS BABU	2014-10-29		A3	
				chr	MITHUN PAUL	2014-10-29		C01-8646-0824	
				app	BIJU K PAUL	2014-10-29		type Product Customer Drawing	
sheet index	revision	D							
	sheet	1							