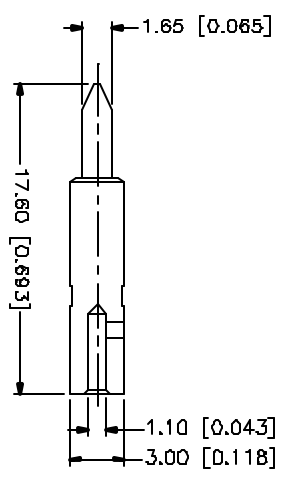
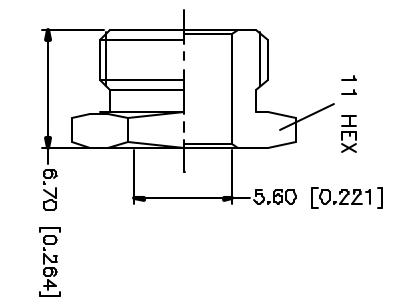
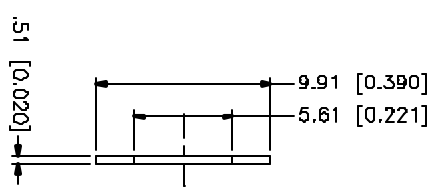
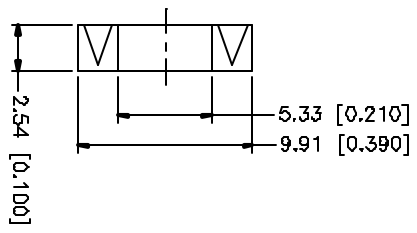
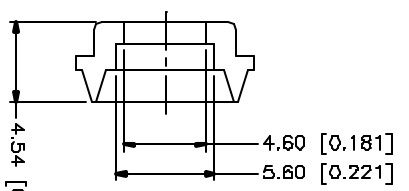
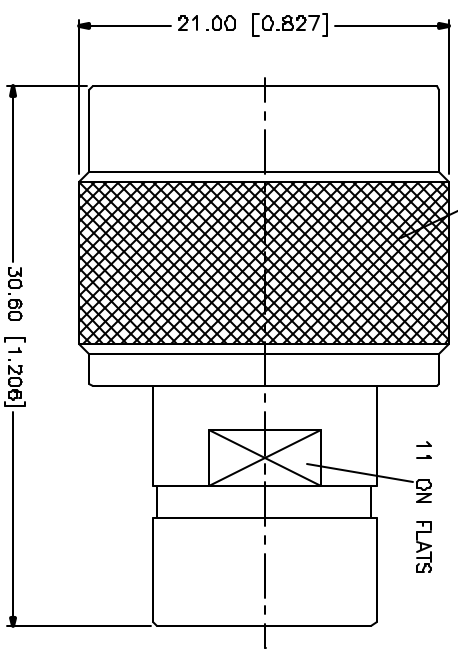
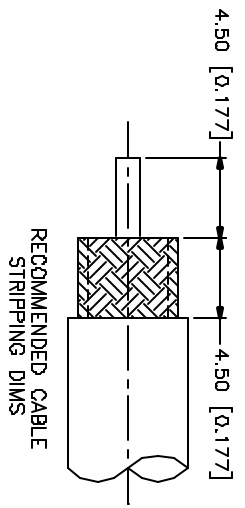


REV.	DATE	DESCRIPTION
A	08/28/00	REVISE OLD PRINT
B	05/30/04	UPDATE DRAWING FORMAT



NOTE:
 1. CRIMPED CONTACT PIN*
 HEX CRIMP SIZE .100*
 OR SOLDER.

QTY	FINISH	MATERIAL	DESCRIPTION
1	NEXCOTE	BRASS	HEX NUT
1	NEXCOTE	BRASS	WASHER
1	RED	SILKZONE	GASKET
1	NEXCOTE	BRASS	BRAND CLAMP
1	NATURAL	TEFLON	INSULATOR
1	NEXCOTE	BRASS	BODY/SHELL

APPROVALS	DATE	PART DESCRIPTION
DRAWN G.R.S.	05/30/04	N CLAMP PLUG (FOR RG-58C/U, 58/U, 142A/U, 223/U CABLE)
CHECKED		
REBLEN		
SHEET 1 OF 1		

CU FILE	DWG. NO.	REV.	SIZE	SCALE
C:/172/172111.DWG	172111.DWG	B	A	NA

Amphenol Connex

UNLESS OTHERWISE SPECIFIED, DIMENSIONS ARE IN MILLIMETERS. DIMENSIONS IN PARENS ARE IN INCHES AND FOR CARRIER REFERENCE ONLY.
 UNLESS OTHERWISE SPECIFIED, TOLERANCES FOR MILLIMETERS ARE:
 0.5 - 3.0mm ± 0.20mm
 3.0 - 12.0mm ± 0.30mm
 UNLESS OTHERWISE SPECIFIED, TOLERANCES FOR INCHES ARE:
 .020 - .312 ± 0.0075
 .315 - 1.180 ± 0.016
 1.180 - 4.724 ± 0.020
 DO NOT SCALE DRAWING