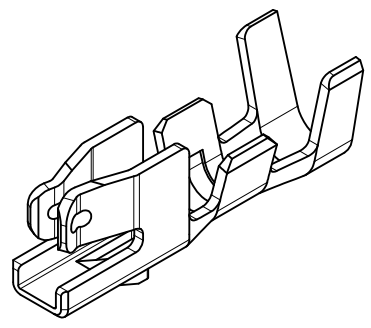


**NOTES**

1. APPLICABLE HOUSING : 104138-1400
2. MATERIAL : PHOSPHOR BRONZE
3. FINISH : PRE-TIN OVER COPPER PLATED
4. APPLICABLE WIRE RANGE: AWG#30 -#32'



**ORDER NUMBER 104547-8003**

**NEW RELEASED**  
 EC NO: KOR2012-0112 2012/04/21  
 DRWN: IHYOU  
 CHKD: SH. CHU  
 APPR: YSK1M02 2012/04/25

REV	DESCRIPTION
A	

QUALITY SYMBOLS	▽=0	
	∇=0	
	GENERAL TOLERANCES (UNLESS SPECIFIED)	
	mm	INCH
	4 PLACES	± --- ± ---
3 PLACES	± --- ± ---	
2 PLACES	± 0.20 ± ---	
1 PLACE	± 0.25 ± ---	
ANGULAR ± 1 °		
DRAFT WHERE APPLICABLE MUST REMAIN WITHIN DIMENSIONS		

DIMENSION STYLE		SCALE
MM ONLY		15:1
DRAWN BY	DATE	TITLE
I.H. YOU	2011/04/30	1.0 W-T-B CONN.-14P CRIMP RECEPTACLE TER'L
CHECKED BY	DATE	
SH. CHU	2011/04/30	MOLEX INCORPORATED
APPROVED BY	DATE	
YSK1M02	2012/04/25	DOCUMENT NO.
MATERIAL NO.		SHEET NO.
1045478003		1 OF 1
SIZE	THIS DRAWING CONTAINS INFORMATION THAT IS PROPRIETARY TO MOLEX INCORPORATED AND SHOULD NOT BE USED WITHOUT WRITTEN PERMISSION	
A3		