

NOTES:

1. MATERIALS AND FINISHES:

BODY - BeCu, SILVER PLATING (.000200 MIN THICK)
 CONTACT - BeCu, GOLD PLATING (.000050 MIN THICK)
 HEX NUT - BRASS, SILVER PLATING (.000200 MIN THICK)
 LOCKWASHER - PHOS BRONZE, SILVER PLATING (.000200 MIN THICK)
 GASKET - SILICONE
 INSULATOR - PTFE

2. ELECTRICAL:

A. IMPEDANCE: 50 OHM
 B. DIELECTRIC WITHSTANDING VOLTAGE: 1500 VRMS, MIN.

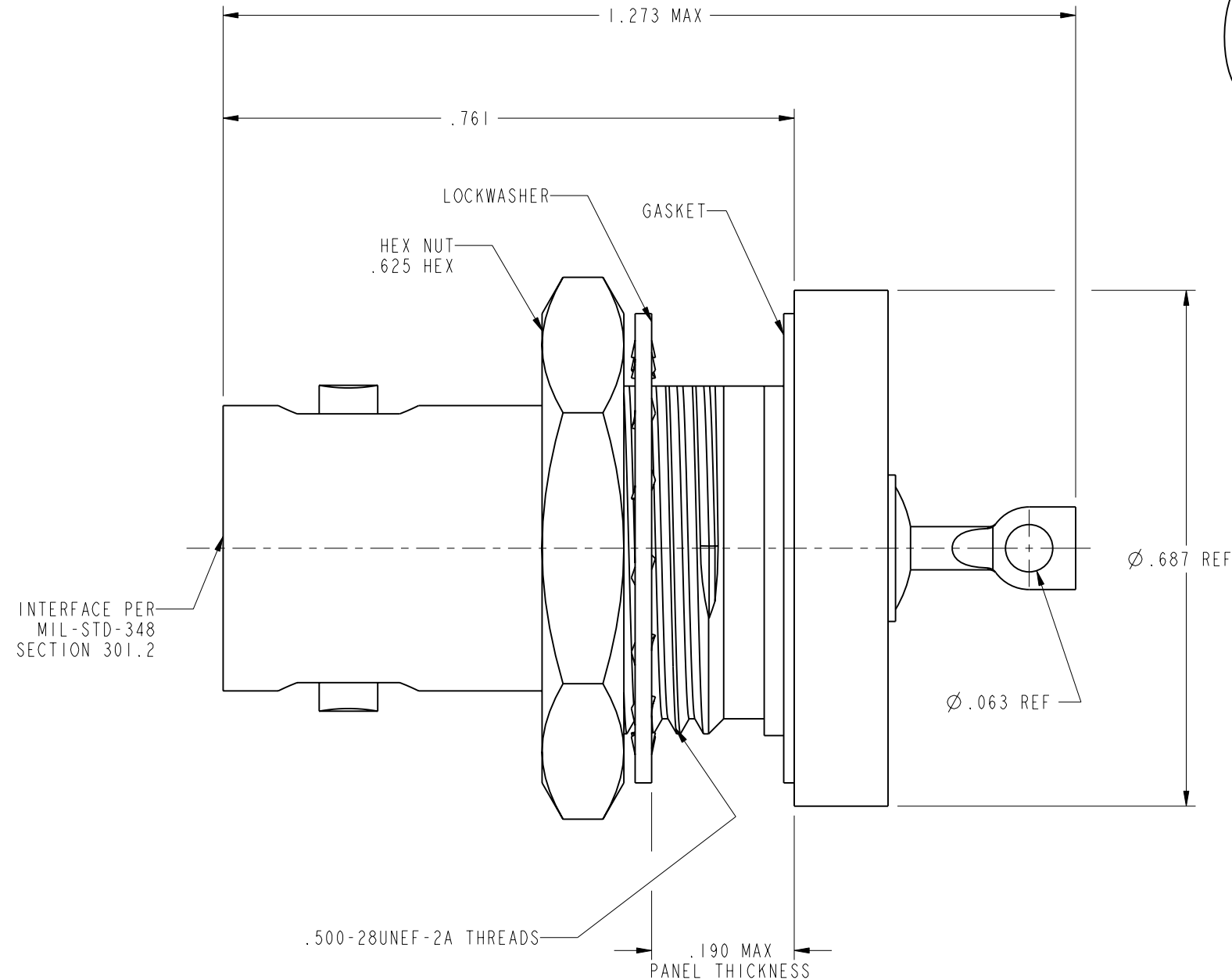
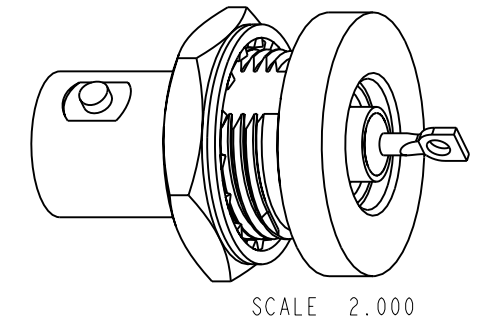
3. MECHANICAL:

A. DURABILITY: 500 CYCLES MIN.

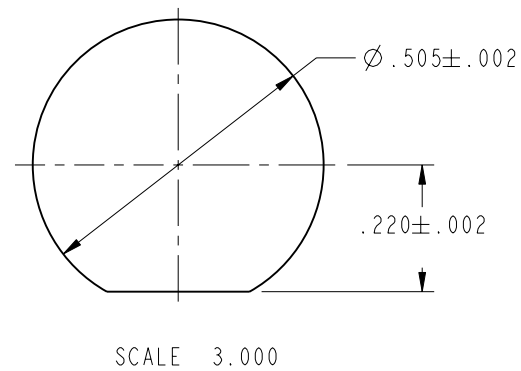
4. PACKAGING:

A. QUANTITY: SINGLE PACK
 B. MARKING: BAG TO BE MARKED
 "AMPHENOL, 31-4237-1000, AND DATE CODE"

31-4237-1000		REVISIONS		
DRAWING NO.	REV	DESCRIPTION	DATE	ECO
THIRD ANGLE PROJ.	A	RELEASE TO MFG.	8/28/03	44608



RECOMMENDED MOUNTING HOLE DIMENSIONS



CUSTOMER OUTLINE DRAWING

ALL OTHER SHEETS ARE FOR INTERNAL USE ONLY

UNLESS OTHERWISE SPECIFIED, DIMENSIONS ARE IN INCHES AND TOLERANCES ARE: 2 PLACE DECIMAL ±.015 (0,381 mm) 3 PLACE DECIMAL ±.005 (0,127 mm) ANGLES ± 1°	MATERIAL	DRAWN K. CAPOZZI	DATE 31-Jul-03	TITLE BNC (F) REAR MOUNT HERMETIC RECEPTACLE W/ BeCu BODY		Amphenol RF Danbury, CT, USA Tainan, Taiwan Shenzhen, China www.amphenolrf.com	
	REFERENCE EAR #1071 REF: 31-4237 ASSYF20_BNC	ENGINEER K. CAPOZZI	DATE 31-Jul-03				
NOTICE - These drawings, specifications, or other data (1) are, and remain the property of Amphenol Corp. (2) must be returned upon request; and (3) are confidential and not to be disclosed to any person other than those to whom they are given by Amphenol Corp. The furnishing of these drawings, specifications, or other data by Amphenol Corp., or to any other person to anyone for any purpose is not to be regarded by implication or otherwise in any manner licensing, granting rights or permitting such holder or any other person to manufacture, use or sell any product, process or design, patented or otherwise, that may in any way be related to or disclosed by said drawings, specifications, or other data.		APPROVED O. BARTHELMS	DATE 8/28/03	CODE ID 74868	DWG SIZE B	DRAWING NO. 31-4237-1000	SCALE: 5.0:1
		CAD FILE 31-4237-1000					SHEET 2 OF 2