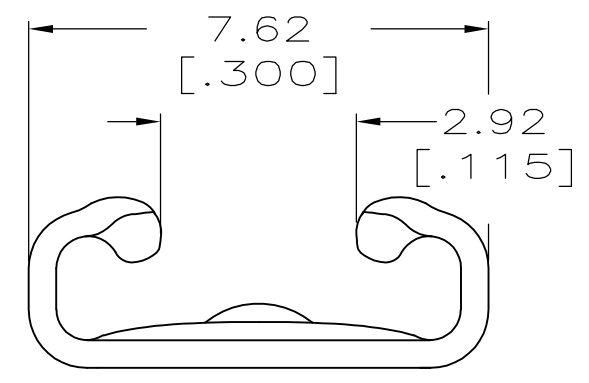
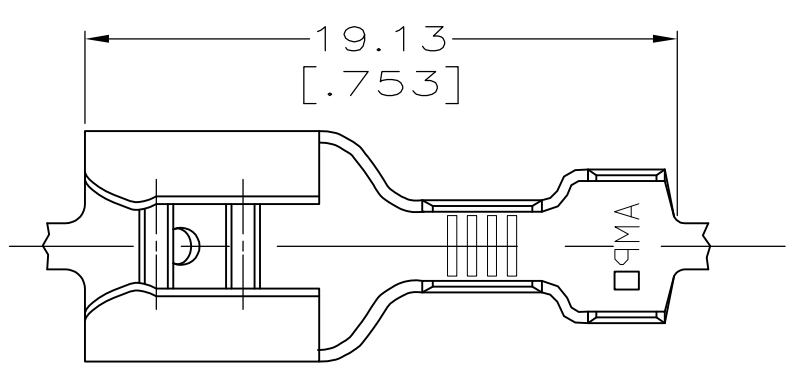


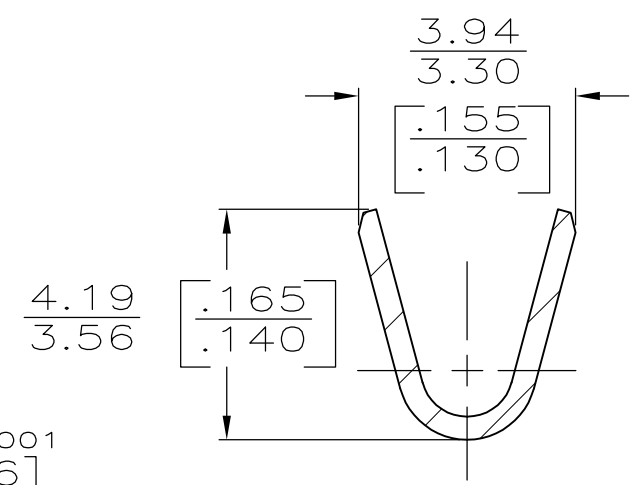
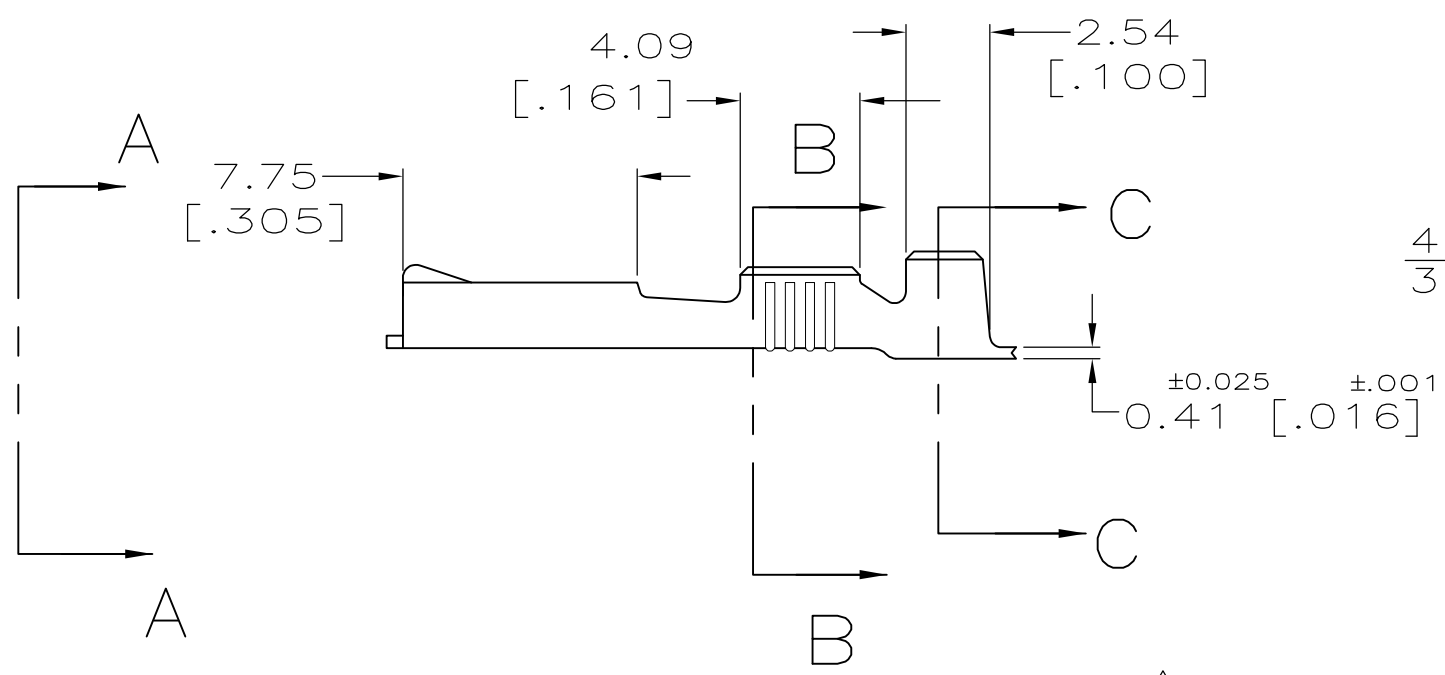
THIS DRAWING IS UNPUBLISHED. RELEASED FOR PUBLICATION
 © COPYRIGHT - By - ALL RIGHTS RESERVED.

LOC	DIST	REVISIONS					
AF	50	P	LTR	DESCRIPTION	DATE	DWN	APVD
		A		REVISED PER ECR-12-013445	09NOV12	KH	PD

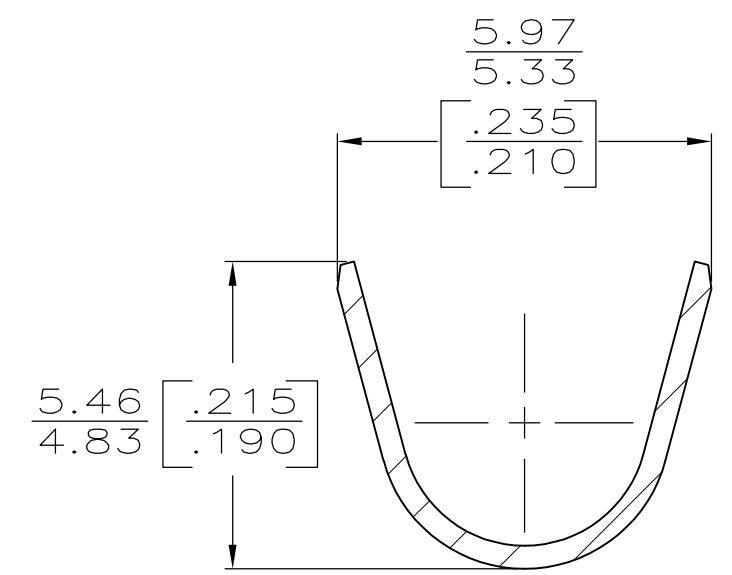


VIEW A-A
SCALE 8:1

- 1 CONTINUOUS STRIP ON REELS.
- 2 TIN PLATE 0.002032 [.000080]MIN THK.
- 3 OBSOLETE PARTS: OBSOLETE CIS STREAMLINING PER D.RENAUD/D.SINISI



SECTION B-B
SCALE 8:1



SECTION C-C
SCALE 8:1

3 OBSOLETE	3.05-4.32 DIA [.120-.170] DIA	[#18-#14] AWG	0.81 [.032]	TIN 2	60713-2
	INSULATION RANGE		MATING TAB THK ±0.025 [.001]	FINISH	60713-1
PART.NO					

THIS DRAWING IS A CONTROLLED DOCUMENT.		DWN JR RUTH 5/26/94	TE Connectivity RECEPTACLE, FASTON, 6.35 [.250] SERIES			
DIMENSIONS: mm [INCHES]		CHK MS FEHER 5/26/94				
TOLERANCES UNLESS OTHERWISE SPECIFIED:		APVD P DESANTIS 5/26/94				
0 PLC ± - 1 PLC ± - 2 PLC ± 0.25 [.010] 3 PLC ± - 4 PLC ± - ANGLES ± -		PRODUCT SPEC -				
MATERIAL BRASS	FINISH SEE TABLE	APPLICATION SPEC -	SIZE A3	CAGE CODE 00779	DRAWING NO C-60713	RESTRICTED TO -
CUSTOMER DRAWING			WEIGHT -	SCALE 4:1	SHEET 1 OF 1	REV A